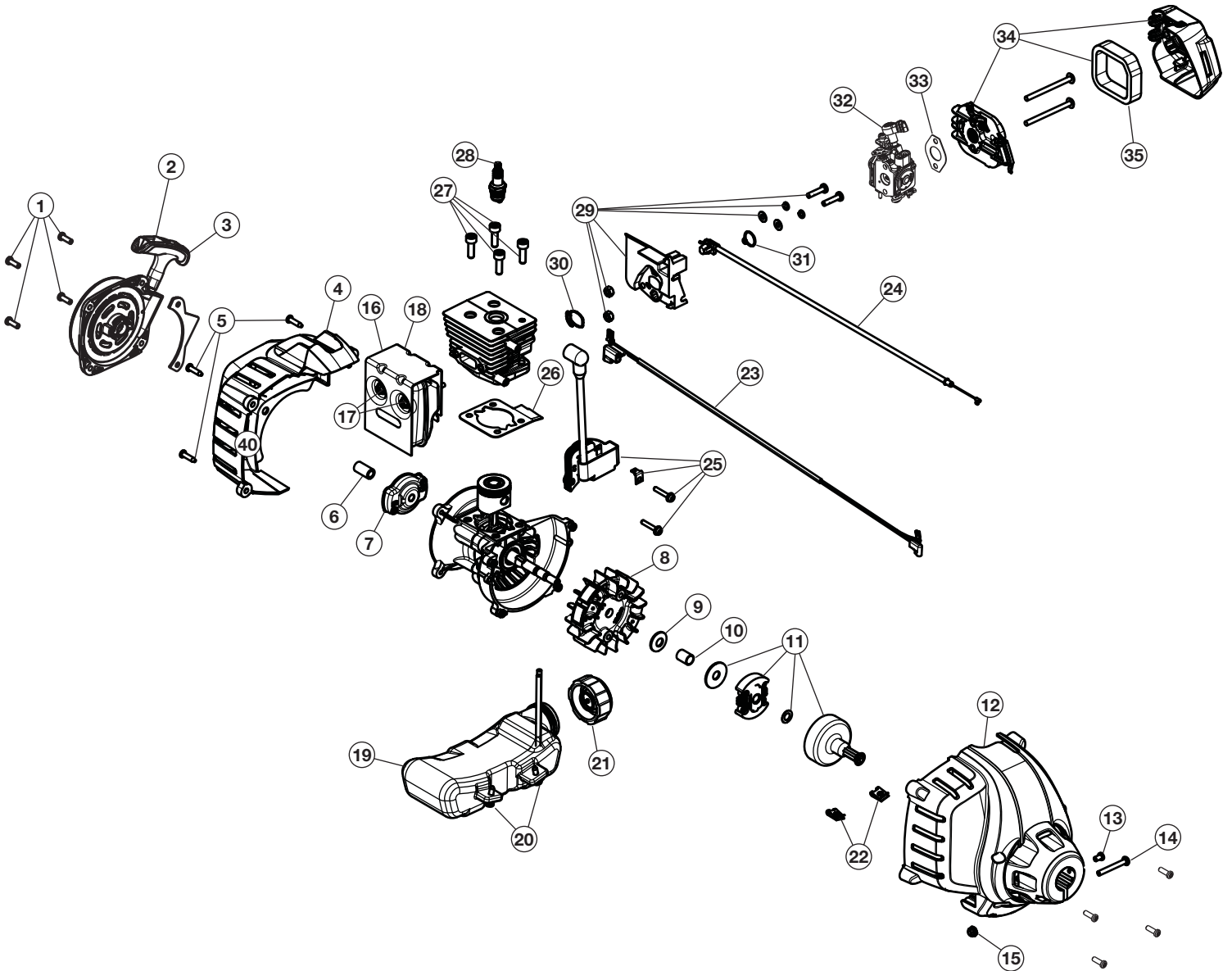


# REPLACEMENT PARTS - MODEL YM2900EC

## 2-CYCLE GAS TRIMMER/BRUSHCUTTER

PPN 41AD290C900



Item	Part No.	Description
1	753-06829	Starter Assembly (includes 2 & 3)
2	791-181862	Starter Screw
3	753-06244	Starter Assembly Guard (includes 2)
4	753-06245	Rear Engine Cover (includes 5)
5	791-181345	Cover Screw
6	753-06104	Adapter
7	753-06091	Pawl Assembly
8	753-06246	Flywheel Assembly
9	753-06247	Washer
10	753-06248	Spacer
11	753-05860	Clutch Assembly
12	753-06249	Clutch Cover Assembly (includes 2, 13 -15 and 22)
13	791-182519	Anti-Rotation Screw
14	753-04003	Clamp Screw
15	791-180217	Clamp Nut
16	753-06418	Muffler Assembly (includes 17 and 18)
17	753-06294	Muffler Screw
18	753-04619	Muffler Gasket
19	753-06856	Fuel Tank Assembly (includes 20 and 21)
20	791-181930	Tank Screw

Item	Part No.	Description
21	753-06857	Fuel Cap
22	791-182366	U-shaped Nut
23	791-182815	Lead Wires
24	753-05892	Throttle Cable
25	753-06826	Module Assembly
26	753-06827	Cylinder Gasket
27	753-05703	Cylinder Bolt
28	753-06193	Spark Plug
29	753-06189	Insulator Assembly (includes 30 and 31)
30	753-06184	Insulator O-Ring
31	753-06185	Carburetor O-Ring
32	753-06190	Carburetor
33	753-06253	Carburetor Gasket
34	753-06913	Air Cleaner Assembly (includes 35)
35	753-06417	Air Cleaner Filter

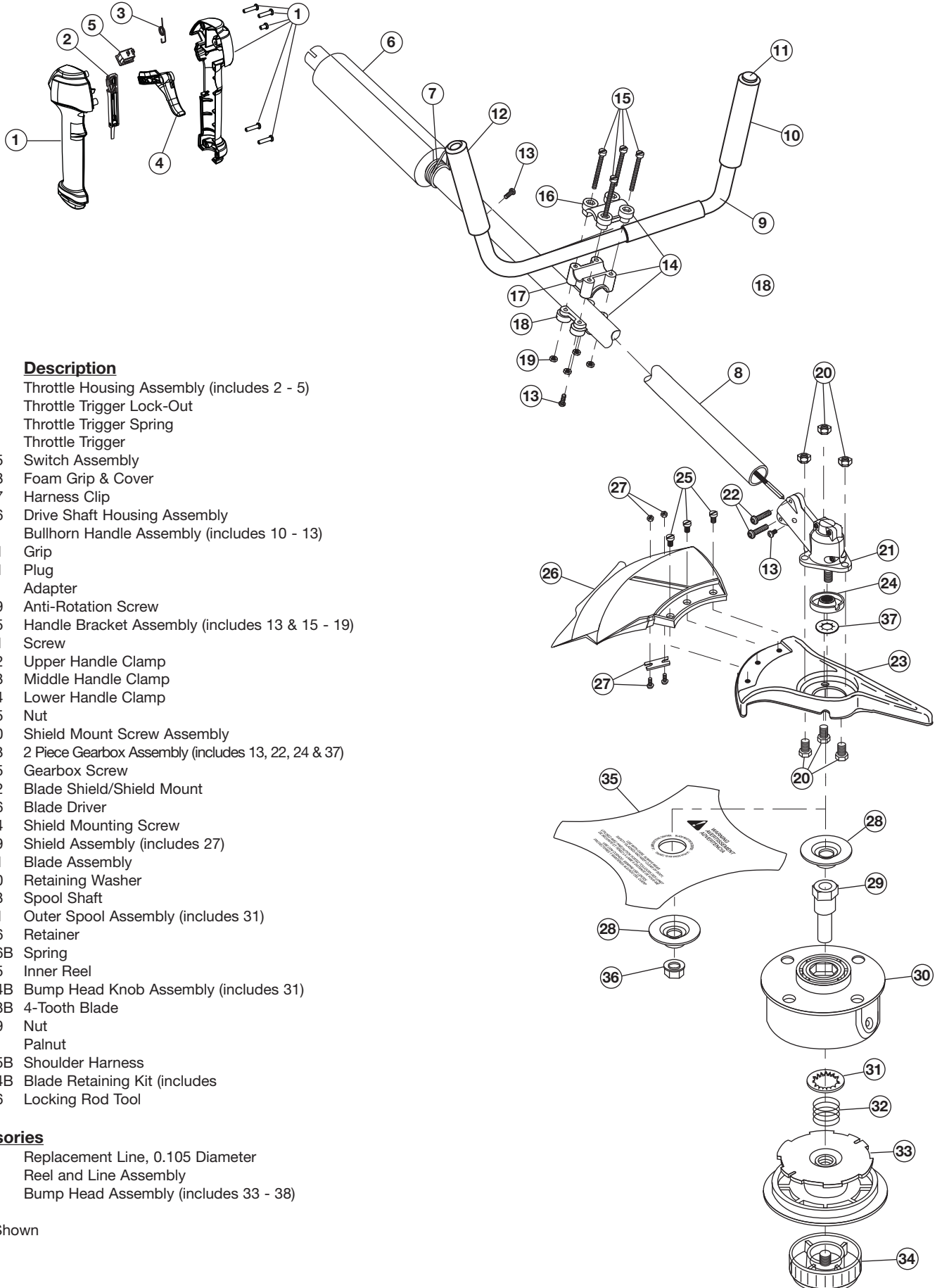
Items Not Shown  
\* 753-06762

Short Block Assembly (includes Crankcase, Cylinder, Piston, 8 - 11, 25 - 28)

# REPLACEMENT PARTS - MODEL Y2900EC

## 2-CYCLE GAS TRIMMER/BUSHCUTTER

PPN 41AD290C900



Item	Part No.	Description
1	753-05175	Throttle Housing Assembly (includes 2 - 5)
2	753-05171	Throttle Trigger Lock-Out
3	753-05007	Throttle Trigger Spring
4	753-04991	Throttle Trigger
5	791-182405	Switch Assembly
6	791-180858	Foam Grip & Cover
7	791-610327	Harness Clip
8	791-160226	Drive Shaft Housing Assembly
9	791-05177	Bullhorn Handle Assembly (includes 10 - 13)
10	791-612831	Grip
11	791-612021	Plug
12	753-04096	Adapter
13	791-182519	Anti-Rotation Screw
14	791-683295	Handle Bracket Assembly (includes 13 & 15 - 19)
15	791-181811	Screw
16	791-181812	Upper Handle Clamp
17	791-181813	Middle Handle Clamp
18	791-181814	Lower Handle Clamp
19	791-181815	Nut
20	791-182200	Shield Mount Screw Assembly
21	791-182193	2 Piece Gearbox Assembly (includes 13, 22, 24 & 37)
22	791-182195	Gearbox Screw
23	791-147492	Blade Shield/Shield Mount
24	791-182196	Blade Driver
25	791-683304	Shield Mounting Screw
26	791-683299	Shield Assembly (includes 27)
27	791-682061	Blade Assembly
28	791-147490	Retaining Washer
29	791-612483	Spool Shaft
30	791-683301	Outer Spool Assembly (includes 31)
31	791-612026	Retainer
32	791-610636B	Spring
33	791-147495	Inner Reel
34	791-180814B	Bump Head Knob Assembly (includes 31)
35	791-145873B	4-Tooth Blade
36	791-181699	Nut
37	753-04348	Palnut
*	791-682075B	Shoulder Harness
*	791-180014B	Blade Retaining Kit (includes
*	791-613226	Locking Rod Tool

### Optional Accessories

- \* 753-04216 Replacement Line, 0.105 Diameter
- \* 753-1224 Reel and Line Assembly
- \* 753-1161 Bump Head Assembly (includes 33 - 38)

\* Items Not Shown