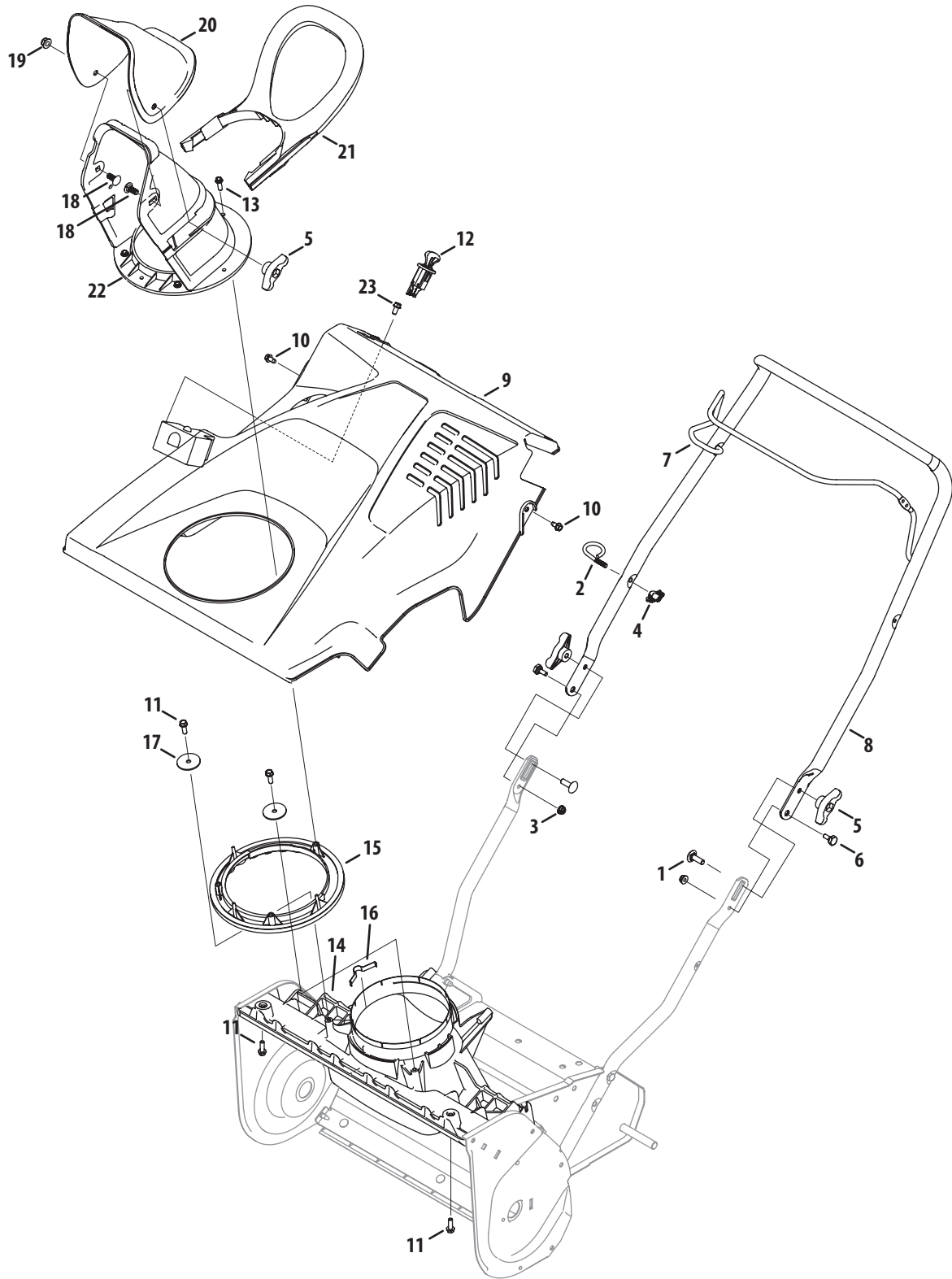


Shroud, Chute & Handle



Ref.	Part Number	Description
1.	710-04998	Carriage Bolt, 5/16-18 x 1.00
2.	710-05348	Eye Bolt, 1/4-20
3.	712-04064	Flange Lock Nut, 1/4-20
4.	720-0279	Knob Handle
5.	720-04122	Wing Knob
6.	738-04419A	Shoulder Screw, .375 x .148 x 1/4-20
7.	747-05327C†	Auger Bail
	747-05490A	Auger Bail
8.	749-04703B†	Upper Handle
	749-04808	Upper Handle
9.	753-06902	Top Cover (Black w/o electric start)
	753-06904††	Top Cover (Gray)
	753-06901††	Top Cover (Black)
10.	710-0599	Hex Screw, 1/4-14 x .500
11.	710-0895	Screw, Hi-Lo:1/4-15, 0.75
12.	925-04031A	Ignition Switch Assembly
13.	710-05108	Hex Washer Screw, 1/4 x .750
14.	931-07626B	Chute Adapter
15.	731-08274	Chute Ring
16.	932-04111	Chute Adjustment Spring
17.	736-04576	Flat Washer, .28 x 1.5 x .066
18.	710-0451	Carriage Bolt, 5/16-18 x .750
19.	712-04063	Flange Lock Nut, 5/16-18
20.	731-04426A	Upper Chute
21.	731-07644	Chute Handle
22.	931-07753A	Lower Chute
23.	710-04187††	Hex Washer Screw, 1/4-15 x .50

† Model 2T5

†† Model with electric start

Drive System & Auger Assembly

Ref.	Part Number	Description	Ref.	Part Number	Description
1	684-04168	Idler Pulley Assembly	28	748-0234	Shoulder Spacer
2	684-04398	Frame	29	749-04810	Lower Handle
3	984-04393	Auger Assembly Mount	30	750-04571	Shoulder Spacer, .260 x .785 x .538
4	929-0071A*	3-Prong Extension Cord	31	750-04758	LH Auger Spacer
5	753-06469	Auger Replacement Kit (Inc. 2 Paddles and 12 Hex Washer Screws)	32	750-05393	RH Auger Spacer
6	790-00427	Center Auger Bracket	33	790-00444	RH Auger Plate
7	710-0134	Carriage Screw, 1/4-20 x .62	34	790-00445	LH Auger Plate
8	710-0778	Hex Screw, 1/4-20 x 1.50	35	790-00457	Bearing Cup
9	710-0627	Hex Lock Screw, 5/16-24 x .750	36	790-00461	Idler Bracket
10	710-1652	Hex Washer Screw, 1/4-20 x .625	37	790-00426	Cable Idler Bracket
11	710-0599	Hex Washer Screw, 1/4-20 x .500	38	726-0299	Push Cap, 1/2
12	710-0817	Hex Washer Screw, 5/16-18 x 1.250	39	734-04585	Wheel, 8"
13	710-0895	Hex Washer Screw, 1/4-15 x .750		734-04063A	Wheel, 7"
14	710-04484	Hex Washer Screw, 5/16-18 x .75	40	750-04432	Spacer, .525 x .775 x .835
15	712-04065	Flange Lock Nut, 3/8-16	41	747-05513	Gas Tank Wire Support
16	736-0343	Thrust Washer, .330 x 1.25 x .120	42	751-14006	Fuel Cap
17	712-04064	Flange Lock Nut, 1/4-20	43	751-14001	Fuel Tank
18	718-04836	Pulley Hub	44	731-07664*	Choke Extension Lever
19	736-3092	Washer, .265 x 1.00 x .030	45	710-0654A	Hex Washer Screw, 3/8-16 x 1.000
20	731-08171	Shave Plate	46	912-0702	Flange Nut, 7/16-20
21	731-07737A	Belt Cover	47	726-0205	Hose Clamp
22	732-04748	Extension Spring, .70 x 3.035	48	954-04050	Belt, .500 x 35.06
23	710-05183	Hex Screw, 5/16-24 x 1.25	49	956-0416B	Pulley Half, .625 x 2.25
24	738-04456	Shoulder Bolt, 5/16-24 x .496 x 2.18	50	756-04443	Pulley, 1/2 x 6.00
25	741-04517	Ball Bearing, .500 x 40mm x 12mm	51	726-0233	Push Nut
26	946-04782	Clutch Cable	52	710-05058	Hex Washer Screw, 1/4-20 x .750
27	747-05360A	Drive Cable Wire Support	53	710-04065	Screw, 1/4-10 x .625

* Models with electric start