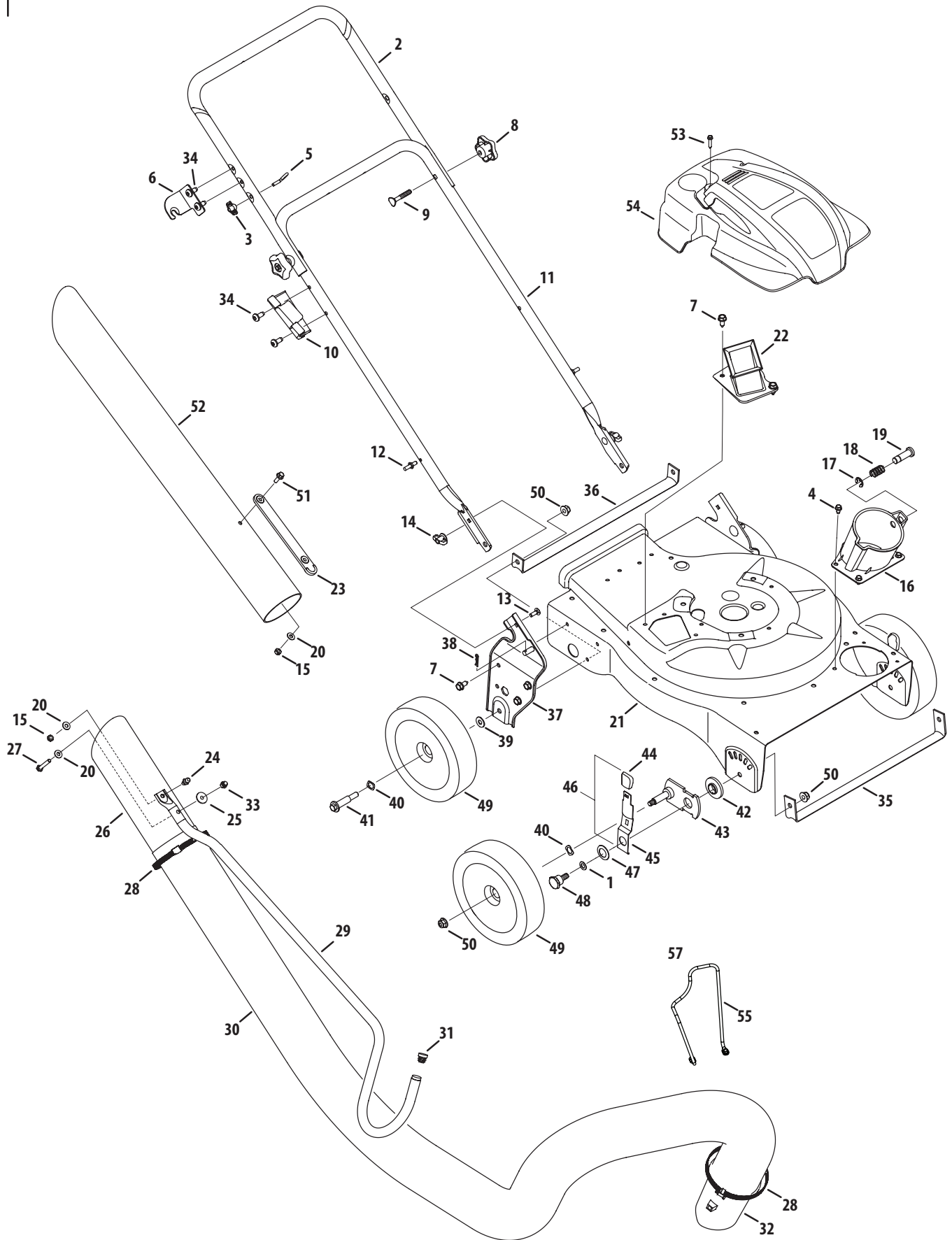


CSV Model 060

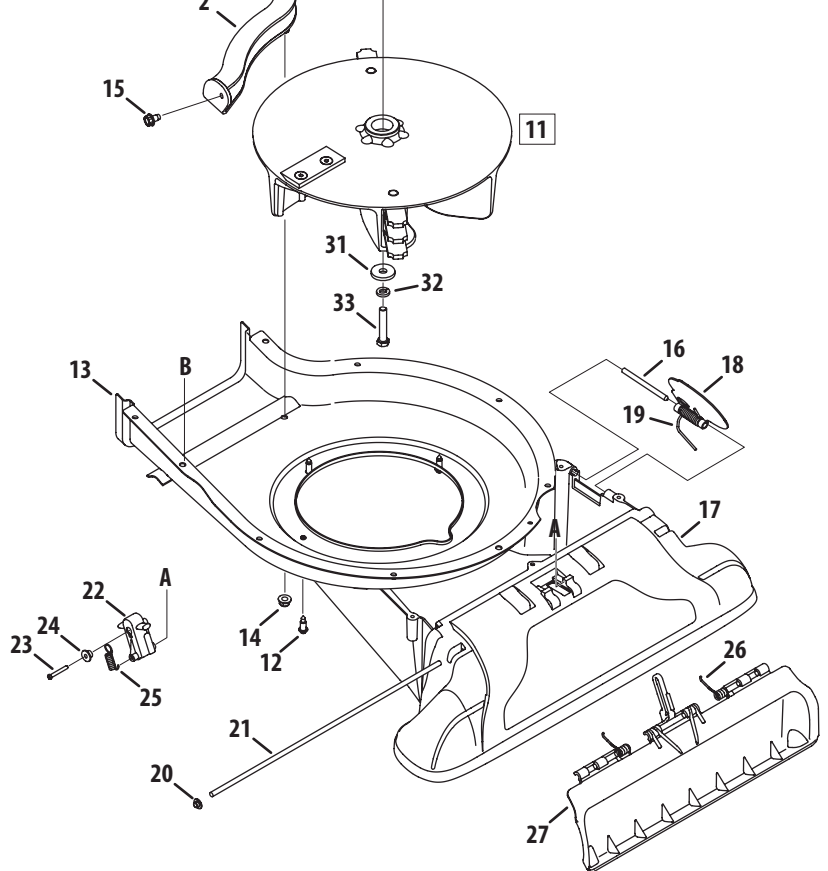
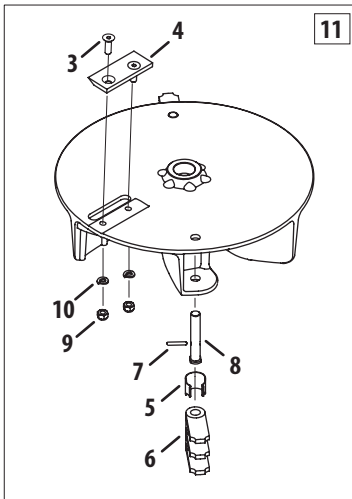
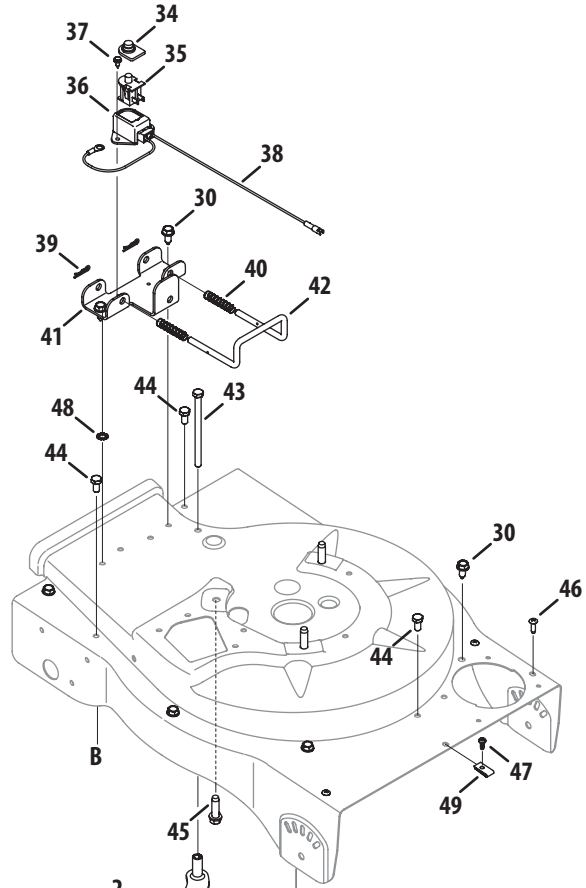
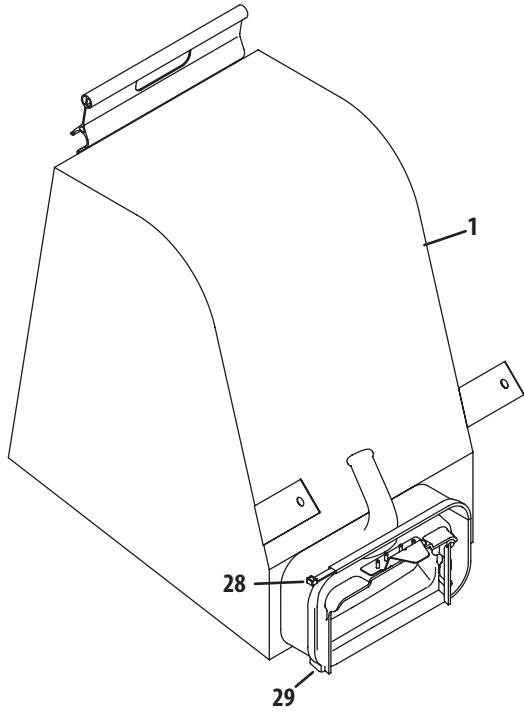


Ref No.	Part Number	Description
1	936-0314	Thrust Washer.375 ID x.70 OD
2	749-04172	Upper Handle
3	720-0279	Knob
4	710-05073	Screw, 1/4-20 x .500
5	710-1205	Eye Bolt
6	781-1056	Upper Handle Bracket
7	710-0726	Hex Cap Screw 5/16-12 x.750
8	720-04072A	Star Knob
9	710-1174	Carriage Bolt
10	731-04911	Nozzle Handle Clip
11	749-04165	Lower Handle
12	711-1293	Studs
13	710-0703	Carriage Screw 1/4-20 x.75
14	712-0397A	Wing Nut 1/4-20
15	912-0291	Hex Lock Nut, 1/4-20
16	681-0195	Hose Base Adapter Assembly (Incl. Ref.# 17-19)
17	916-0104	E Ring.500 Dia
18	932-3035	Compression Spring
19	711-1571	Clevis Pin
20	936-3020	Flat Washer.271 ID x.630 OD
21	781-04223	Upper Flail Housing
22	681-04088	Chipper Chute Assembly
23	723-04008A	Chute Strap
24	911-04069	Pin
25	748-0457	Spacer
26	731-2478	Hose Nozzle
27	710-3288	Hex Cap Screw 1/4-20 x 2.625
28	723-0295	Adjustment Clamp
29	749-1270A	Nozzle Handle

Ref No.	Part Number	Description
30	764-0648A	Vacuum Hose
31	720-0369	Handle Plug
32	731-2292	Hose Adapter, Briggs
	731-06469	Hose Adapter, 173CC
33	912-0442	Cap Lock Nut, 1/4-20
34	710-1611B	TT Screw, 5/16-18 x .750
35	781-04082	Front Wheel Support Brace
36	781-04081	Rear Wheel Support Brace
37	981-0156A	Handle Bracket Ass'y RH
	981-0155A	Handle Brkt Ass'y LH
38	914-0104	Cotter Pin
39	736-0105	Bell Washer.401 ID x.870 OD
40	936-0232	Wave Washer.531 ID x.781 OD
41	738-1015	Shoulder Screw 3/8-16
42	741-04242	Height Adjustment Bearing
43	687-02342	Pivot Arm Assembly
44	720-0426	Height Adjustment Knob
45	732-1026	Spring Lever
46	987-02051	Height Lever Assembly (Incl. Ref.# 44-45)
47	736-0741	Bell Washer.760 ID x.25 OD
48	738-1172	Shoulder Screw,.750 x.500
49	734-04033	Wheel 8 x 2
50	712-04065	Flange Lock Nut, 3/8-16
51	710-04666	Screw, 1/4-20 x .75
52	731-06445	Hose Extension
53	710-04744	Screw, #12-16 x 1.00
54	931-04261	Engine Shroud
55	747-04985†	Tube Holder

† If Equipped

CSV Model 060



Ref No.	Part Number	Description
1	964-04031	Bag Assembly, TB
	664-04040	Bag Assembly, Blk
2	681-0154	Screen Assembly
3	710-1054	Hex Screw 5/16-24 x 1.0
4	981-0490	Chipper Blade
5	781-0735	Pin Clip
6	719-0329	Flail
7	715-0166	Spiral Pin
8	711-1401	Clevis Pin
9	912-0411	Lock Nut, 5/16-24
10	936-0119	Lock Washer, 5/16
11	981-0152	Impeller Assembly (Incl. Ref.# 3 – 10)
12	710-1650	Shoulder Screw, #12-24 x.30 x.46
13	781-0721B	Lower Flail Housing
14	712-04063	Flange Lock Nut 5/16-18
15	710-0607	Screw, 5/16-18 x.500
16	747-04297	Hinge Pin
17	981-04031	Nozzle, TB
	981-04031	Nozzle, Blk
18	781-1064	Base Adapter Door
19	732-1156	Torsion Spring
20	926-0106	Cap Speed Nut 1/4
21	711-1551	Pivot Rod
22	731-04967	Nozzle Door Lever, Red
	731-2485A	Nozzle Door Lever, Blk
23	710-1256	Hex Screw, #8-18 x 1.25
24	750-1294	Shoulder Spacer

Ref No.	Part Number	Description
25	732-3118	Extension Spring
26	732-1151A	Nozzle Door Torsion Spring
27	731-2294A	Nozzle Door
28	664-04029	Bag, TB
	664-04040	Bag, Blk
29	631-0083	Chute Assembly
30	710-0726	Hex Index Screw, 5/16-12 x.750
31	736-0247	Flat Washer.375 ID x 1.25 OD
32	936-0217	Lock Washer 3/8
33	710-0818	Hex Cap Screw 3/8-24 x 2.0
34	925-1700	Switch Cover
35	925-3166	Safety Switch
36	931-1613	Safety Switch Cover
37	910-0224	Hex Washer Screw #10-16 x.50
38	629-0920A	Wire Harness
39	914-0104	Cotter Pin
40	732-0962	Compression Spring
41	781-0778A	Mounting Bracket
42	747-1153	Lock Rod
43	710-3195	Hex Cap Screw 5/16-18 x 4.5
44	710-3025	Hex Cap Screw 5/16-18 x.625
45	710-0654A	Screw 3/8-16 x 1.00
46	710-1220	Screw, #12-16 x.750
47	710-0351	Screw #10 - 16 x.500
48	736-0607	External L-Washer 5/16
49	726-0139	Speed Nut
—	723-0400	Safety Glasses (Not Shown)