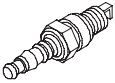
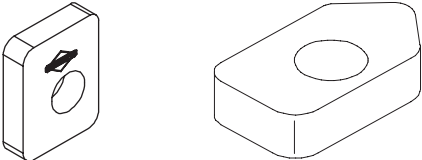


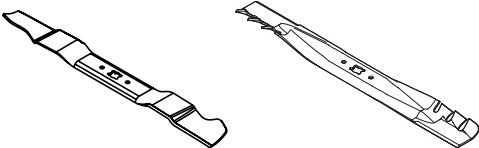
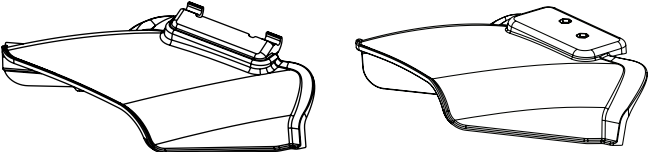
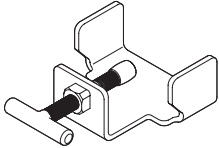
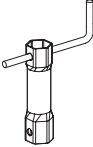
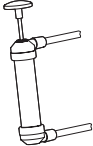
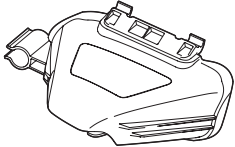
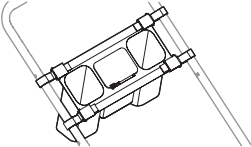
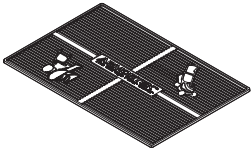
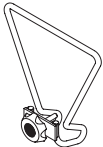
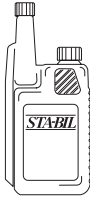

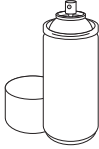
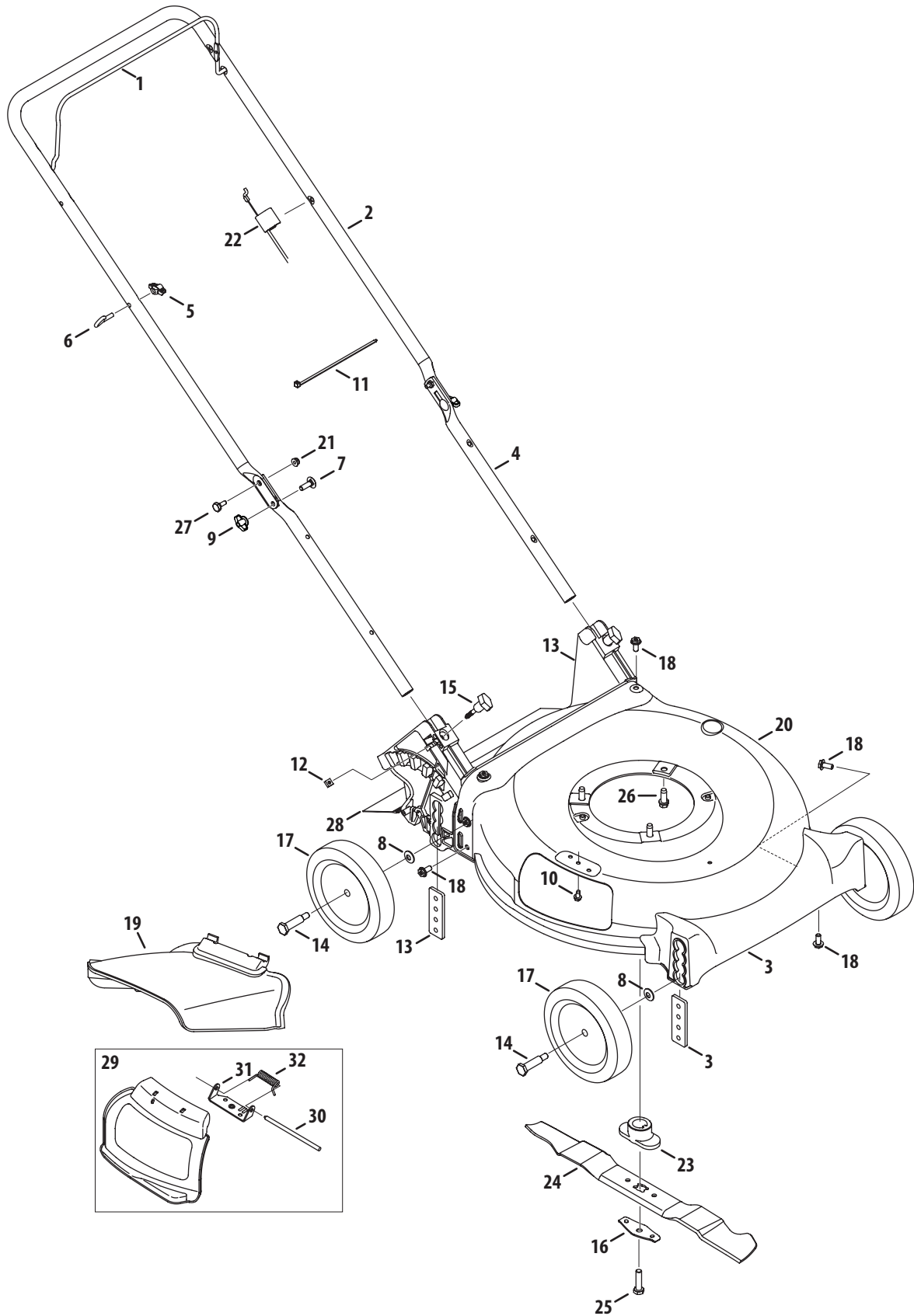


Component	Part Number and Description
	<p>759-3336 Spark Plug (Briggs &amp; Stratton model 09P602-0023-F1)</p> <p>BS-796112S Spark Plug (Briggs &amp; Stratton model 09L602-0925-F1)</p>
	<p>BS-799579 Air Filter Cartridge (Briggs &amp; Stratton model 09P602-0023-F1)</p> <p>490-200-0011 Air Filter Cartridge (Briggs &amp; Stratton model 09L602-0925-F1)</p>
	<p>BS-796577 Fuel Tank Cap (Briggs &amp; Stratton model 09P602-0023-F1)</p> <p>BS-795472 Fuel Tank Cap (Briggs &amp; Stratton model 09L602-0925-F1)</p>
	<p>734-04063A Wheel</p>
	<p>942-0741A Mulching Blade</p> <p>942-0741-X Xtreme Mulching Blade</p>
	<p>731-07486 Discharge Chute</p> <p>731-07877 Discharge Chute (Bolt-on)</p>

Component	Model Number and Description
	<p>490-850-0005 Blade Removal Tool — Holds blade in place for faster, safer removal.</p>
	<p>SPW-134 Spark Plug Wrench — Duel ended wrench to serve multiple uses. Fits 3/4" or 13/16" hex plug.</p>
	<p>490-850-0008 Oil Siphon — Makes it easy to transfer gas, oil and liquids from tank to container.</p>
	<p>490-850-0016 Side Discharge Blower — Blows leaves, grass clippings and debris. Eliminates need for separate blower. Easy installation with no tools.</p>
	<p>490-850-0015 Cargo Carrier — Conveniently holds drinks, tools and more. Simple installation. Attaches in less than two minutes with no tools.</p>
	<p>490-241-0034 Garage Floor Mat — Anti-skid mat, measures 24" x 36". Projects garage floor from stains.</p>
	<p>490-850-0012 Mower Kick Stand — Keeps mower stable for changing/ sharpening blade and cleaning underside of deck.</p>

Component	Model Number and Description
	<p>22216 STA-BIL® fuel Stabilizer, 32 oz — Treats 80 gallons of fuel. Keeps stored fuel fresh for quick, easy starts. Prevents corrosion from moisture and ethanol-induced attraction. Prevents gum and varnish.</p>
	<p>490-290-0012 Mower Cover — Protects your mower against sun, rain and dust damage. Coated for maximum water resistance and repellency. U.V. and mildew resistant</p>
	<p>490-900-0062 Non-Stick Mower Deck Spray — Long-Lasting anti-stick graphite spray. Prevents grass clippings buildup in mowing deck.</p>

# Model 11A-A56



Ref No.	Part Number	Description
1	747-05184A	Blade Control
2	749-04680	Upper Handle
3	631-04516A	Front Cover Assembly
4	749-04608A	Lower Handle
5	720-0279	Wing Nut
6	710-1205	Rope Guide
7	710-04998	Carriage Screw ,5/16-18
8	736-0105	Washer, .401 x .870 x .060
9	720-04122	Wing Knob
10	710-05073	Screw, 1/4-20 x .500
11	725-0157	Cable Tie
12	712-04222	Nut, Sq., 1/4-20
13	631-04557A	Rear Baffle
14	738-04466	Shoulder Screw
15	720-04123A	Wing Nut
16	736-0524B	Blade Bell Support
17	734-04063A	Wheel, 7" Star-Dia., Oys. Gray
18	710-04995A	Screw, 5/16-14 x .750
19	731-07486	Side Chute
20	787-01869A	Deck , 21"
21	712-04064	Nut, Flange Lock, 1/4-20
22	946-0957	Control Cable
23	748-0376E	Blade Adapter
24	942-0741A	Mulching Blade
25	710-1044	Screw , 3/8-24 x 1.50
26	710-04683A	TT Sems Screw, 3/8-16 x 1.0
27	738-04419A	Sldr. Screw, .375 x .126 x 1/4-20
28	731-07203	Trail shield
29	987-02516	Hinged Mulch Plug Assembly
30	747-0710A	Hinge Pin
31	787-01779	Chute Deflector Bracket
32	732-1014C	Torsion Spring