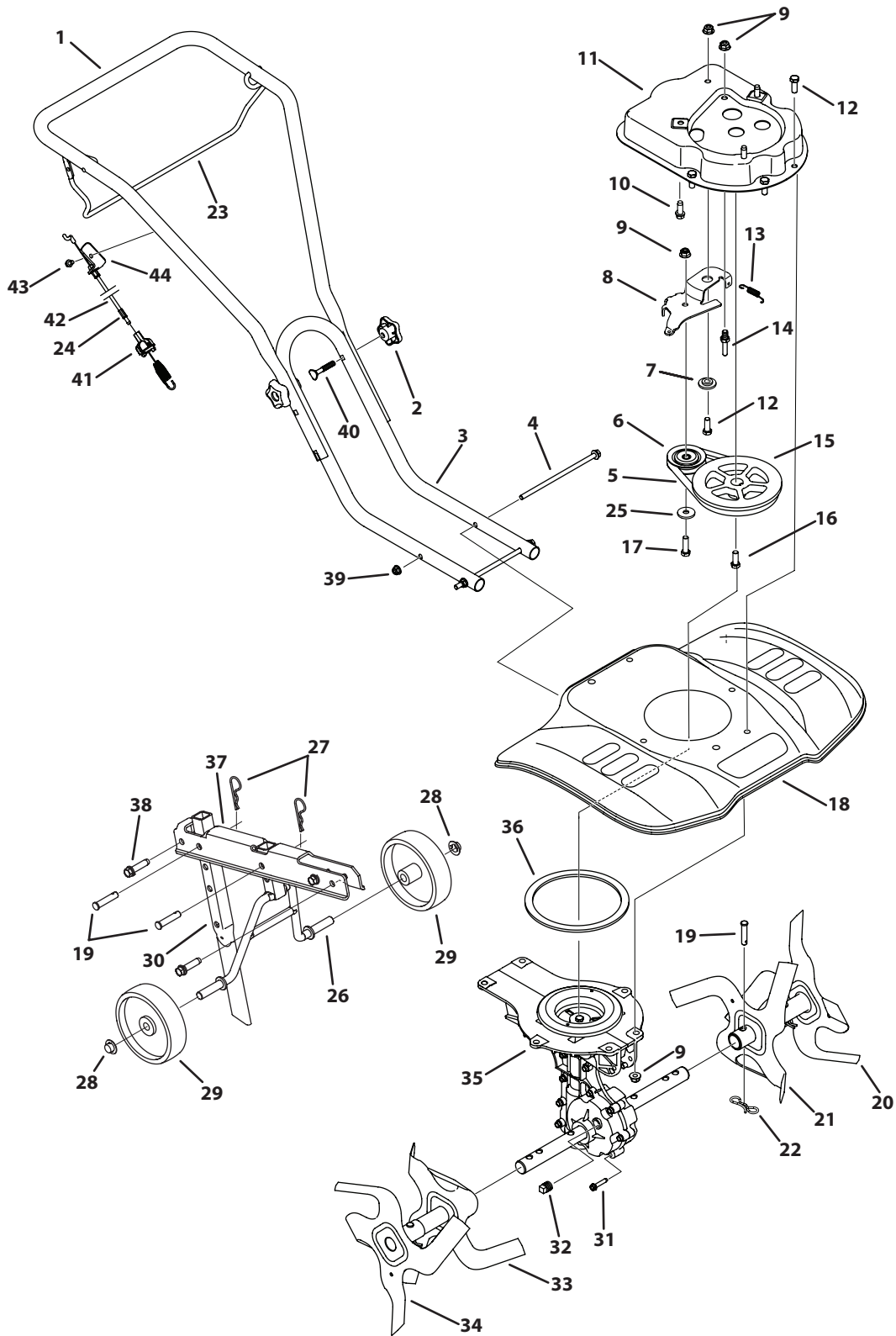


# Model Series 200



Ref.	Part Number	Description
1	749-04282	Upper Handle
2	720-04072A	Star Handle Knob
3	749-04281	Lower Handle
4	710-04398	Flange Screw: 5/16-18:7.5:GR5
5	954-04123	V-Belt
6	756-04163	Idler Pulley
7	748-04125	Shoulder Spacer
8	686-04080	Idler Bracket
9	712-04065	Flange Lock Nut: 3/8-16
10	710-0654A	TT Screw: 3/8-16:1.00
11	786-04303	Belt Cover
12	710-0514	Hex Cap Screw: 3/8-16:1.00
13	732-0418	Extension Spring
14	738-04139	Stud: 33 x 1.5: 3/8-16
15	756-04217	Flywheel Pulley
16	710-0591	Hex Cap Screw: 3/8-24:1.00
17	710-0520	Hex Cap Screw: 3/8-16:1.55
18	786-04256	Tine Shield 61 cm
19	911-0415	Clevis Pin
20	642-0005	Outer Tine Assembly LH
21	642-0003	Inner Tine Assembly LH
22	714-04043	Cotter Pin, Bow Tie

Ref.	Part Number	Description
23	747-04508	Clutch Bail
24	716-0208	Retaining Ring
25	936-0300	Flat Washer, .406 x .875 x .059
26	686-04130	Rear Wheel Tube Assembly
27	714-3020	Cotter Pin
28	726-0299	Push Cap
29	734-0973	Wheel 5 x 1.38
30	749-04265	Depth Stake Tube
31	710-0809	TT Screw: 1/4-20:1.25
32	737-04202	Pipe Plug: 3/8 NPT
33	642-0002	Inner Tine Assembly RH
34	642-0004	Outer Tine Assembly RH
35	918-04276B	Case Assembly
36	721-04157	Gasket
37	786-04296	Wheel Bracket
38	710-1007	TT Screw: 3/8-16:1.50
39	712-04063	Flange Lock Nut: 5/16-18
40	710-0487	Carriage Bolt
41	946-04626	Clutch Cable Fitting
42	946-04626	Clutch Cable
43	710-0599	TT Screw: 1/4-20:.50
44	786-04307	Cable Mount Bracket