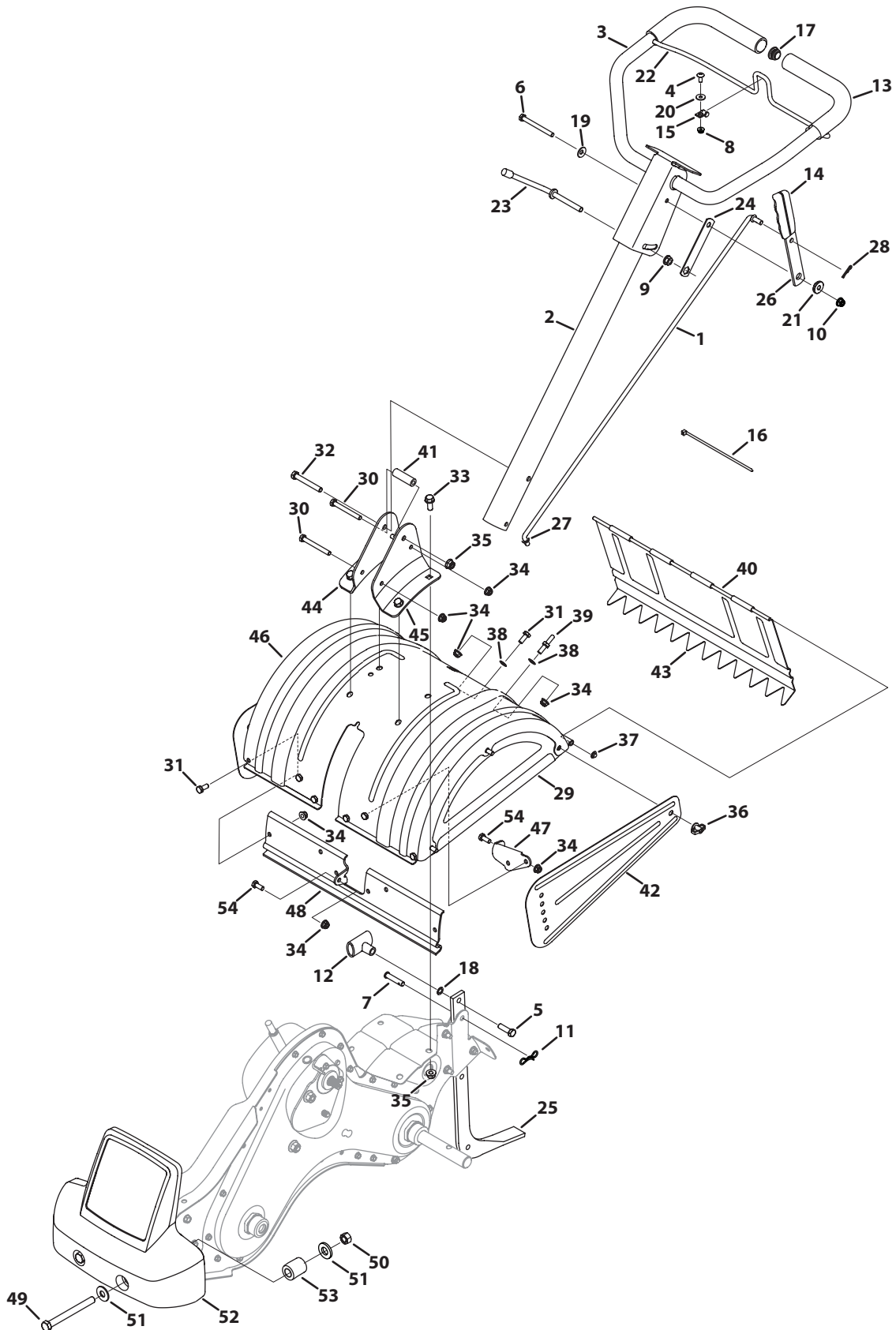


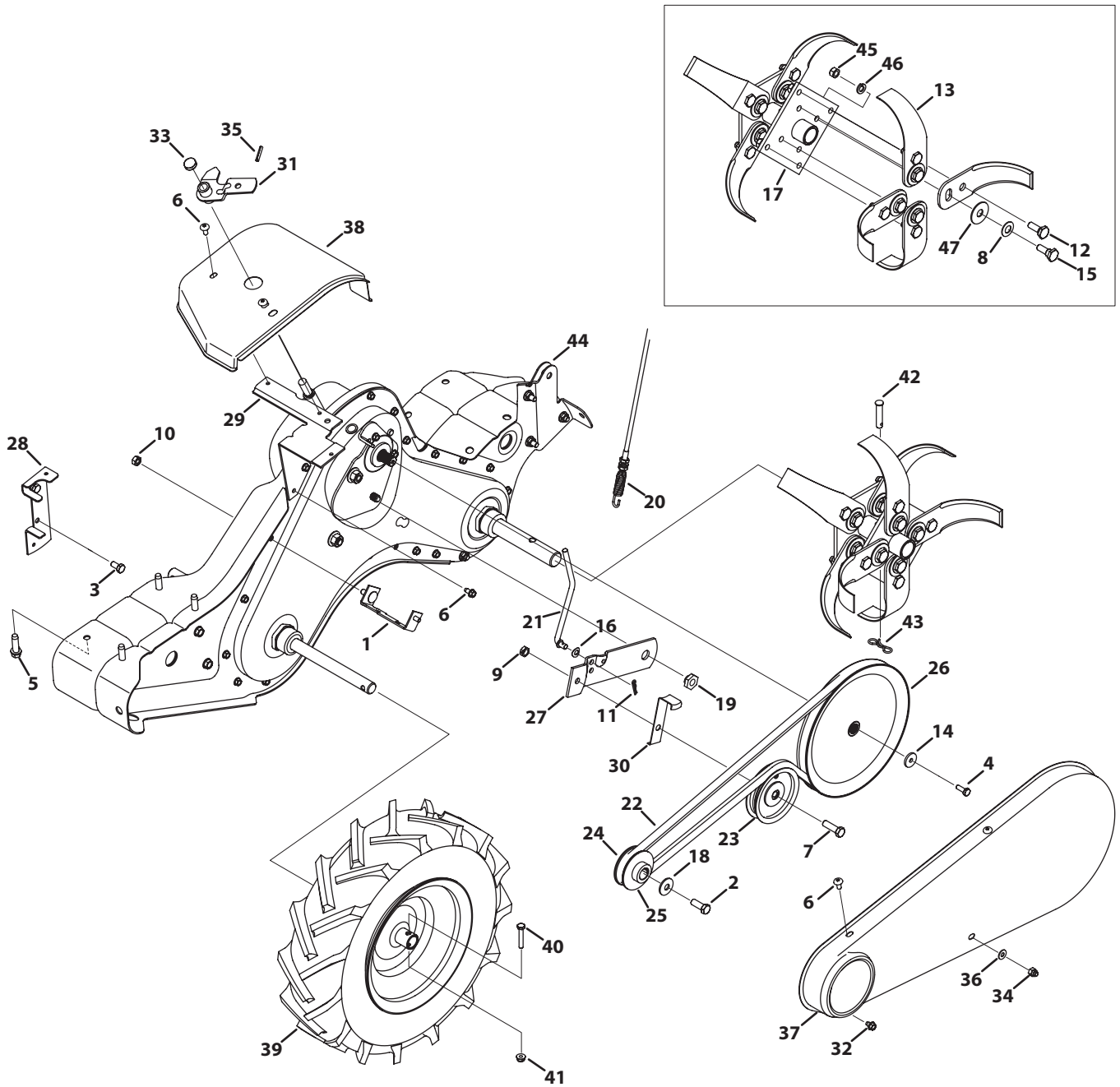
Model Series 450



| Ref. | Part Number | Description |
|------|-------------|--|
| 1 | 747-1152 | Shaft Rod |
| 2 | 649-0034 | Lower Handle Tube Assembly |
| 3 | 649-0041A | Upper Handle Assembly |
| 4 | 710-0946 | Screw, 1/4-20 x 0.625 |
| 5 | 710-3005 | Hex Head Screw, 3/8-16:1.25 |
| 6 | 710-3056 | Hex Head Screw, 5/16-18 x 3.25 |
| 7 | 911-0415 | Clevis Pin, .375 X 1.75 |
| 8 | 712-04064 | Nylon Hex Lock Nut, 1/4-20 |
| 9 | 712-0379 | Flangelock Nut, 3/8-24 |
| 10 | 712-04063 | Hex Flange Top L-Nut, 5/16-18 |
| 11 | 714-04043 | Internal Cotter Pin |
| 12 | 720-0210A | Small Tee Knob |
| 13 | 720-0278A | Foam Grip, .970 x 11.0 |
| 14 | 720-0313 | Grip, .1875 x 1.00 |
| 15 | 726-0273 | Battery Clamp, 5/16 |
| 16 | 726-0317 | Cable Tie, 8.5 LG |
| 17 | 735-0246A | End Plug |
| 18 | 936-0117 | Washer, Flat, .385 x .620 x .033 |
| 19 | 736-0242 | Washer, Bell, .340 x .872 x .060 |
| 20 | 736-3090 | Washer, Flat, .260 x .720 x .060 |
| 21 | 938-0958 | Spacer, Shoulder, .50 x .190 x .360 LG |
| 22 | 747-1219A | Clutch Bail |
| 23 | 784-0190 | Handle Adjustment Crank |
| 24 | 784-0191 | Hex Nut Retainer Bracket |
| 25 | 786-0120 | Tiller Depth Control |
| 26 | 786-0181 | Shaft Rod Lever |
| 27 | 735-0127 | Washer, Rubber, .33 ID x .87 OD x .125 |

| Ref. | Part Number | Description |
|------|-------------|----------------------------------|
| 28 | 914-0104 | Cotter Pin, .072 x 1.12 LG |
| 29 | 686-0044B | End Cover Assembly |
| 30 | 710-0176 | Hex Head Screw, 5/16-18 x 2.75 |
| 31 | 710-3008 | Hex Head Screw, 5/16-18 x .75 |
| 32 | 710-3022 | Hex Head Screw, 3/8-16 x 2.75 |
| 33 | 710-04482 | Hex Head Flange, 3/8-16 x .875 |
| 34 | 712-04063 | Flangelock Nut, 5/16-18 |
| 35 | 712-04065 | Flangelock Nut, 3/8-16 |
| 36 | 712-0421 | Wing Nut, 5/16-18 W/ Bell Washer |
| 37 | 926-0106 | Speed Nut Cap, 1/4 ROD |
| 38 | 736-0204 | Washer, Flat, .344 x .62 x .033 |
| 39 | 938-0849 | Screw, Hex, 5/16-18 x .75 |
| 40 | 747-0432 | Tiller Flap Rod |
| 41 | 750-0885A | Spacer, .322 x .625 x 2.00 |
| 42 | 786-0090A | Side Shield |
| 43 | 786-0113A | Rear Tine Shield |
| 44 | 786-0176 | RH Handle Mount Bracket |
| 45 | 786-0177 | LH Handle Mount Bracket |
| 46 | 786-0178A | Tine Shield |
| 47 | 786-0179 | FRT Tine Shield Bracket |
| 48 | 786-0180 | FRT Tine Shield Spacer Bracket |
| 49 | 710-0506 | Hex Head Screw, 1/2-13 x 5.50 |
| 50 | 912-3058 | Hex Nut, 1/2-20 |
| 51 | 936-0326 | Washer, 1/2 x 1.25 x .10 |
| 52 | 731-1595 | Counterweight |
| 53 | 750-0194 | Hub, .636 ID x 1.00 OD x .94 |
| 54 | 710-0376 | Hex Head Screw, 5/16-18 x 1.00 |

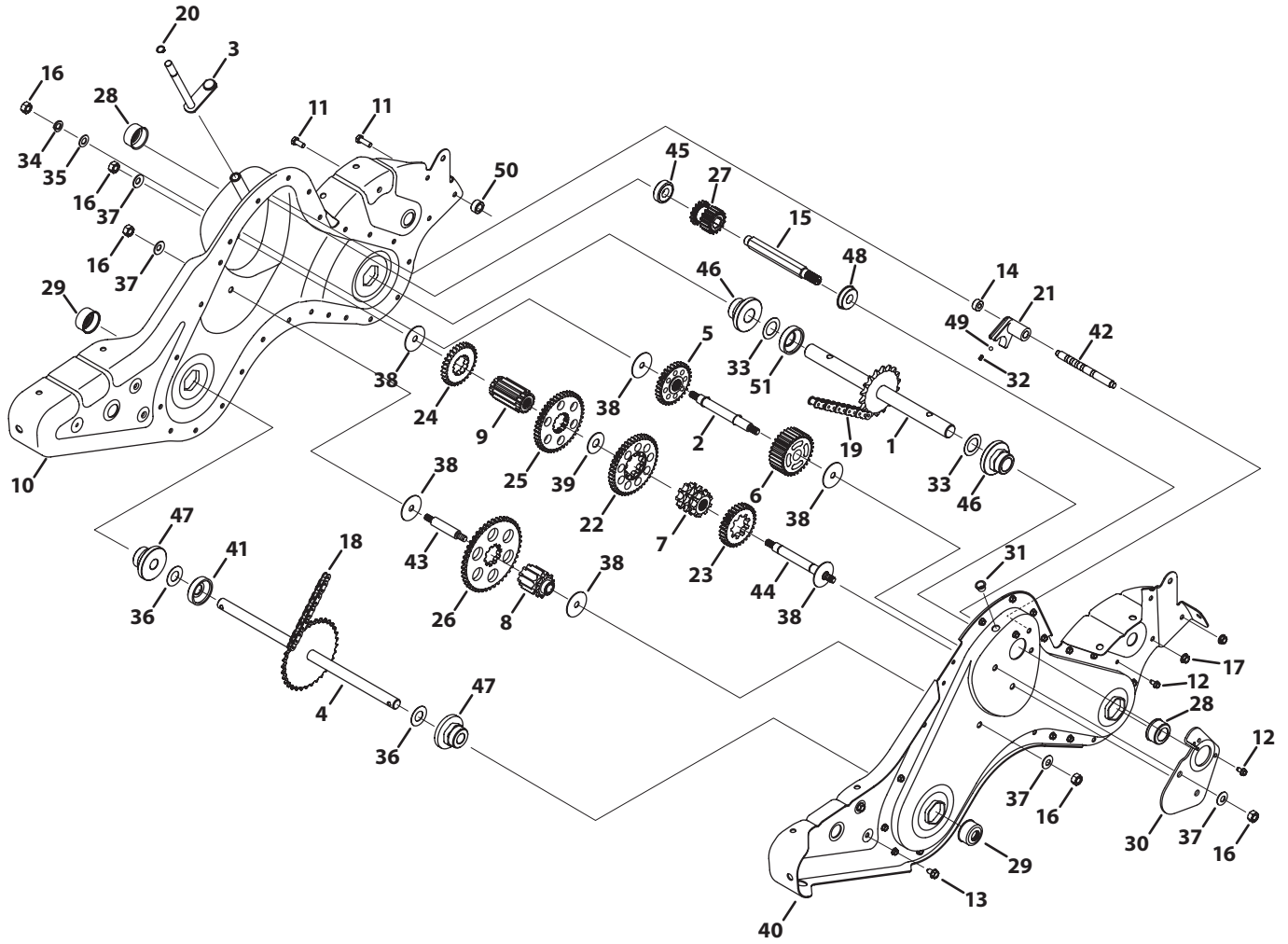
Model Series 450



| Ref. | Part Number | Description |
|------|-------------|---|
| 1 | 686-0111 | Belt Cover Bracket Assembly |
| 2 | 710-1039 | Hex Head Screw, 3/8-24 x 1.00 |
| 3 | 710-0170 | Hex Bolt, 5/16-24 x .625 |
| 4 | 710-0513 | Hex Bolt, 1/4-28 x .75" |
| 5 | 710-0502A | Screw, 3/8-16 x 1.250 |
| 6 | 710-1652 | Hex Washer Screw |
| 7 | 710-3005 | Hex Head Screw, 3/8-16 x 1.25 |
| 8 | 936-0253 | Washer, Bell, .525 x 1.00 x .050 |
| 9 | 712-0266A | Jamlock Nut, 3/8-16 |
| 10 | 712-04063 | Flangelock Nut, 5/16-18 |
| 11 | 914-0104 | Cotter Pin, .072 DIA. x 1.13 LG |
| 12 | 938-0689 | Screw, Shoulder, 3/8-24 x 1/2 x .180 |
| 13 | 742-0305A | Articulating Tine |
| 14 | 936-0176 | Washer, Flat, .265 x .938 x .120 |
| 15 | 938-0688 | Screw, Shoulder, 3/8-24 x 1/2 x .325 |
| 16 | 936-0271 | Washer, Spring, .317 x .625 x .020 |
| 17 | 784-0160 | Tine Adaptor Assembly |
| 18 | 936-0452 | Washer, Bell, .396 x 1.140 x .095 |
| 19 | 738-0876A | Shoulder Nut, 7/16-20 |
| 20 | 946-1117 | Clutch Cable |
| 21 | 747-1159 | Idler Pulley Rod |
| 22 | 954-0434 | Belt, 4L x 58.16 LG |
| 23 | 756-0405 | Flat Idler Pulley w/ Flanges, 3.75 O.D. |
| 24 | 756-0971 | Engine Pulley, Inner Half |

| Ref. | Part Number | Description |
|------|-------------|---------------------------------|
| 25 | 756-0972 | Engine Pulley, Outer Half |
| 26 | 756-1162 | Input Pulley, 4L x 8.594 |
| 27 | 786-0064A | Idler Pulley Bracket |
| 28 | 786-0185A | Belt Keeper Bracket, B&S 6.5 HP |
| 29 | 786-0187 | Shift Cover Bracket |
| 30 | 786-0193 | Idler Belt Keeper |
| 31 | 686-0109A | Shift Crank Assembly |
| 32 | 710-0653 | Screw, 1/4-20:0.375 |
| 33 | 731-07556 | Cap |
| 34 | 712-0392 | Lock Nut, Cap, 1/4-28 |
| 35 | 715-0120 | Spiral Pin, 3/16 x 1.00 |
| 36 | 936-3020 | Washer, Flat, .271x .630 x .065 |
| 37 | 784-0158A | Belt Cover |
| 38 | 784-0208D | Shift Cover |
| 39 | 934-04231 | Wheel, 16 x 4.6 x 8 |
| 40 | 710-05289 | Hex Head Screw, 1/4-20 x 1.50 |
| 41 | 712-04064 | Flangelock Nut, 1/4-20 |
| 42 | 911-0415 | Clevis Pin, .375 x 1.75 |
| 43 | 714-04043 | Cotter Pin, Bow-Tie |
| 44 | 986-04074B | Complete Gear Case Assembly |
| 45 | 712-3054 | Hexlock Nut, 3/8-24 |
| 46 | 936-0169 | Washer, Lock, 3/8 |
| 47 | 936-0208 | Washer, Flat, .51 x 1.5 x 0.07 |

Model Series 450



| Ref. | Part Number | Description |
|------|-------------|----------------------------------|
| 1 | 611-0021 | Shaft Assembly, Tine, 18T |
| 2 | 611-0128 | Shaft Assembly, Jack |
| 3 | 611-0129 | Shaft Assembly, Shift Input |
| 4 | 611-04074A | Shaft Assembly, Wheel, 33T |
| 5 | 617-0058 | Gear Assembly, 30T Reverse Idler |
| 6 | 617-0059 | Gear Assembly, 30T Tine Idler |
| 7 | 617-0060 | Sprocket Assembly, 9T Tine Input |
| 8 | 617-0061 | Sprocket Assembly, 10T Whl Input |
| 9 | 617-0062 | Gear Assembly, 11T |
| 10 | 686-0108A | RH Chain Case Housing Assembly |
| 11 | 710-0376 | Hex Head Screw, 5/16-18 x 1.00 |
| 12 | 710-1652 | Screw, 1/4-20 x 0.625 |
| 13 | 710-04484 | Screw, :5/16-18 x 0.75 |
| 14 | 750-0664 | Spacer, .505 ID x .88 OD x .440 |
| 15 | 711-1349A | Input Shaft, .75 |
| 16 | 712-0378 | Nut, Hex, 7/16-20 |
| 17 | 712-04063 | Nut, Flangelock, 5/16-18 |
| 18 | 913-0367 | Endless Chain, #420 x 50 Links |
| 19 | 913-0484 | Endless Chain, #50 x 54 Links |
| 20 | 716-0865 | Snap Ring, .500 |
| 21 | 717-0853A | Clutch Collar |
| 22 | 717-1582A | Gear Spur, 44T |
| 23 | 717-1583 | Gear Spur, 30T |
| 24 | 717-1584 | Gear Spur, 30T |
| 25 | 717-1585 | Gear Spur, 44T |
| 26 | 717-1587 | Gear Spur, 44T |

| Ref. | Part Number | Description |
|------|-------------|------------------------------------|
| 27 | 717-1594 | Gear Spur, 16T |
| 28 | 921-0378 | Shaft Seal, 1.0 |
| 29 | 721-0379 | Shaft Seal, .75 |
| 30 | 786-0238 | Positioner Gear Bracket |
| 31 | 726-0277 | Tapered Cap Plug |
| 32 | 732-04778 | Compression Spring, .230 OD |
| 33 | 936-0163 | Washer, Flat, 1.03 x 1.62 x .03 |
| 34 | 936-0171 | Washer, Lock, 7/16 |
| 35 | 936-0226 | Washer, Flat,.474 x .879 x .064 |
| 36 | 936-0351 | Washer, Flat, .760 ID x 1.50 OD |
| 37 | 736-0407 | Washer, Bell,.45 x 1.00 x .062 |
| 38 | 736-0518 | Washer, Thrust, .445 x 1.92 x .060 |
| 39 | 736-3088 | Washer, Flat,1.595 x .635 x .062 |
| 40 | 686-04129 | LH Chain Case Housing |
| 41 | 950-0671 | Spacer, .75 x 2.0 x .50 |
| 42 | 738-0645 | Shaft Detent, .5 DIA |
| 43 | 738-0648 | Shaft, Jack, .625 x 2.385 |
| 44 | 738-04424A | Shaft, Jack, .6250 x 5.0050 |
| 45 | 941-0600 | Ball Bearing, 17 x 40 x 12:6203 |
| 46 | 941-0420 | Flange Bearing, 1.0 x 2.5 x 1.38 |
| 47 | 741-0421 | Flange Bearing, .75 x 2.5 x 1.38 |
| 48 | 941-0563 | Ball Bearing, 17 x 40 x 12:6203 |
| 49 | 741-0862 | Ball, Detent, .250 |
| 50 | 750-0258 | Spacer, .315 x .750 x .375 LG |
| 51 | 950-0570 | Spacer, 1.0 ID x 2.0 OD x .5 LG |