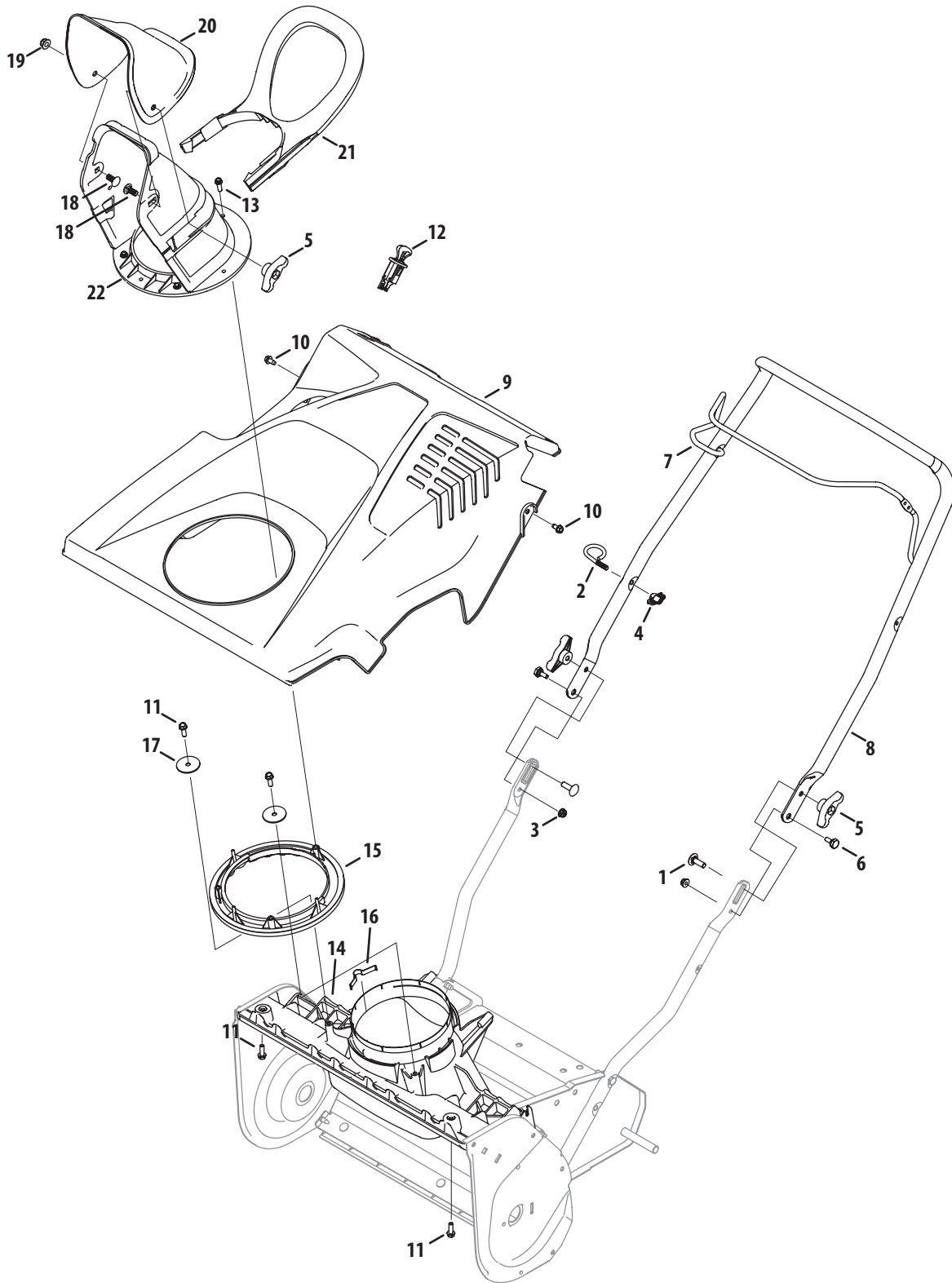


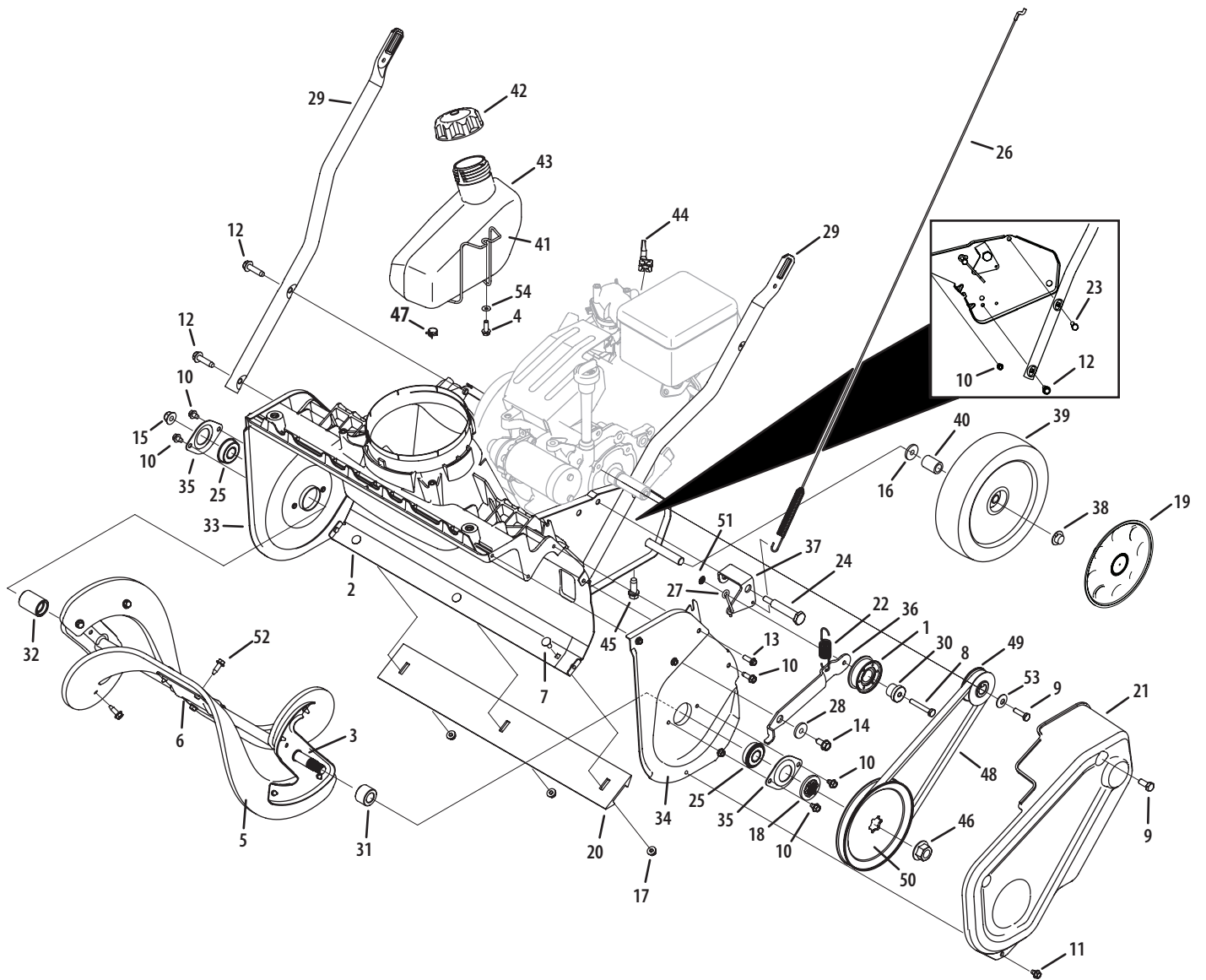
# Shroud, Chute, & Handle (Model 2M5)



## Shroud, Chute, & Handle (Model 2M5)

| Ref. | Part Number | Description                          |
|------|-------------|--------------------------------------|
| 1.   | 710-04998   | Carriage Bolt, 5/16-18 x 1.00        |
| 2.   | 710-05348   | Eye Bolt, 1/4-20                     |
| 3.   | 712-04064   | Flange Lock Nut, 1/4-20              |
| 4.   | 720-0279    | Knob Handle                          |
| 5.   | 720-04122   | Wing Knob                            |
| 6.   | 738-04419A  | Shoulder Screw, .375 x .148 x 1/4-20 |
| 7.   | 747-05327C  | Auger Bail                           |
| 8.   | 749-04703B  | Upper Handle                         |
| 9.   | 631-04586   | Top Cover                            |
| 10.  | 710-0599    | Hex Screw, 1/4-14 x .500             |
| 11.  | 710-0895    | Screw, Hi-Lo:1/4-15, 0.75            |
| 12.  | 925-04031A  | Ignition Switch Assembly             |
| 13.  | 710-05108   | Hex Washer Screw, 1/4 x .750         |
| 14.  | 931-07626B  | Chute Adapter                        |
| 15.  | 731-08274   | Chute Ring                           |
| 16.  | 932-04111   | Chute Adjustment Spring              |
| 17.  | 736-04576   | Flat Washer, .28 x 1.5 x .066        |
| 18.  | 710-0451    | Carriage Bolt, 5/16-18 x .750        |
| 19.  | 712-04063   | Flange Lock Nut, 5/16-18             |
| 20.  | 731-04426A  | Upper Chute                          |
| 21.  | 731-07644   | Chute Handle                         |
| 22.  | 931-07753A  | Lower Chute                          |

# Drive System & Auger Assembly



## Drive System & Auger Assembly

| Ref. | Part Number | Description   |
|------|-------------|---|
| 1    | 684-04168   | Idler Pulley Assembly   |
| 2    | 684-04398   | Frame   |
| 3    | 984-04393   | Auger Assembly Mount  |
| 4    | 710-04065   | Screw, 1/4-10 x .625  |
| 5    | 753-06469   | Auger Replacement Kit (Inc. 2 Paddles and 12 Hex Washer Screws) |
| 6    | 790-00427   | Center Auger Bracket  |
| 7    | 710-0134    | Carriage Screw, 1/4-20 x .62                                    |
| 8    | 710-0778    | Hex Screw, 1/4-20 x 1.50  |
| 9    | 710-0627    | Hex Lock Screw, 5/16-24 x .750                                  |
| 10   | 710-1652    | Hex Washer Screw, 1/4-20 x .625                                 |
| 11   | 710-0599    | Hex Washer Screw, 1/4-20 x .500                                 |
| 12   | 710-0817    | Hex Washer Screw, 5/16-18 x 1.250                               |
| 13   | 710-0895    | Hex Washer Screw, 1/4-15 x .750                                 |
| 14   | 710-04484   | Hex Washer Screw, 5/16-18 x .75                                 |
| 15   | 712-04065   | Flange Lock Nut, 3/8-16   |
| 16   | 936-0192††  | Flat Washer, .535 x .930 x .090                                 |
| 17   | 712-04064   | Flange Lock Nut, 1/4-20   |
| 18   | 718-04836   | Pulley Hub  |
| 19   | 731-07197†  | Hubcap  |
|      | 731-07198†† | Hubcap  |
| 20   | 731-08171   | Shave Plate   |
| 21   | 731-07737A  | Belt Cover  |
| 22   | 732-04748   | Extension Spring, .70 x 3.035                                   |
| 23   | 710-05183   | Hex Screw, 5/16-24 x 1.25                                       |
| 24   | 738-04456   | Shoulder Bolt, 5/16-24 x .496 x 2.18                            |
| 25   | 741-04517   | Ball Bearing, .500 x 40mm x 12mm                                |
| 26   | 946-04701†† | Clutch Cable  |
|      | 946-04782†  | Clutch Cable  |

| Ref. | Part Number | Description                         |
|------|-------------|-------------------------------------|
| 27   | 747-05360A  | Drive Cable Wire Support            |
| 28   | 748-0234    | Shoulder Spacer                     |
| 29   | 749-04810   | Lower Handle                        |
| 30   | 750-04571   | Shoulder Spacer, .260 x .785 x .538 |
| 31   | 750-04758   | LH Auger Spacer                     |
| 32   | 750-05393   | RH Auger Spacer                     |
| 33   | 790-00444   | RH Auger Plate                      |
| 34   | 790-00445   | LH Auger Plate                      |
| 35   | 790-00457   | Bearing Cup                         |
| 36   | 790-00461   | Idler Bracket                       |
| 37   | 790-00426   | Cable Idler Bracket                 |
| 38   | 726-0299    | Push Cap, 1/2                       |
| 39   | 634-05036†† | Wheel, 8 x 2 (Gray)                 |
|      | 634-04607†  | Wheel, 7 x 2 (Black)                |
| 40   | 750-04432   | Spacer, .525 x .775 x .835          |
| 41   | 747-05513   | Gas Tank Wire Support               |
| 42   | 751-14006   | Fuel Cap                            |
| 43   | 751-14001   | Fuel Tank                           |
| 44   | 731-07664†† | Choke Extension Lever               |
| 45   | 710-0654A   | Hex Washer Screw, 3/8-16 x 1.000    |
| 46   | 912-0702    | Flange Nut, 7/16-20                 |
| 47   | 726-0205    | Hose Clamp                          |
| 48   | 954-04050   | Belt, .500 x 35.06                  |
| 49   | 956-0416B   | Pulley Half, .625 x 2.25            |
| 50   | 756-04443   | Pulley, 1/2 x 6.00                  |
| 51   | 726-0233    | Push Nut                            |
| 52   | 710-05058   | Hex Washer Screw, 1/4-20 x .750     |
| 53   | 736-0343    | Thrust Washer, .330 x 1.25 x .120   |
| 54   | 736-3092    | Washer, .265 x 1.00 x .030          |

† Model 2M5

†† Model 2T5