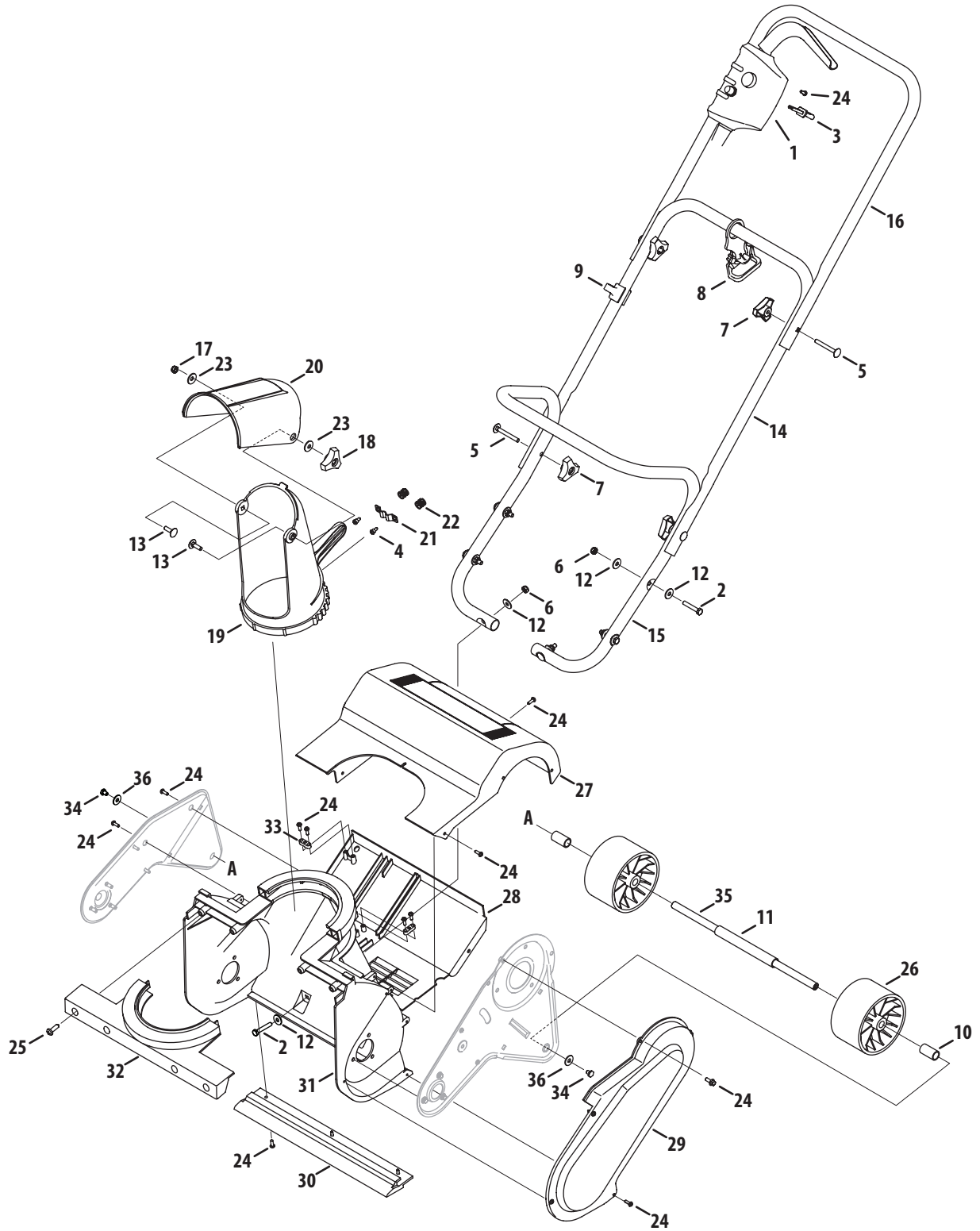
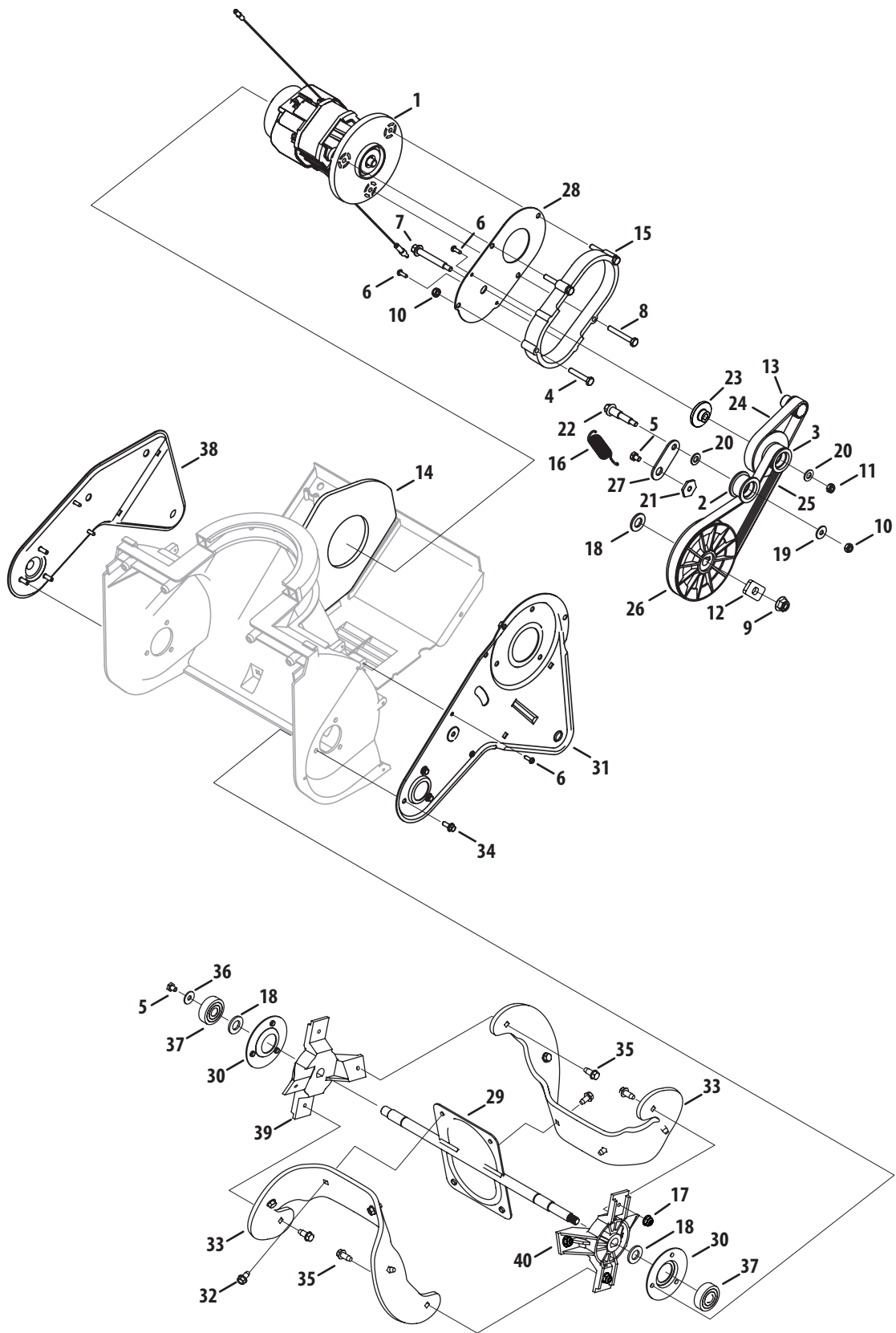


# Frame, Handle & Chute



Ref.	Part Number	Description
1	725-05152	Switch, Assembly
2	710-04197	Screw, M6-1, 35.00
3	731-06684B	Key
4	738-04507	Screw, Shoulder, 6.12 x 4.00
5	710-05122	Screw, Carriage, M6-1,45, Cl 8.8
6	912-0691	Nut, Hex Lock, M6-1, Nylon
7	720-04153	Knob, M6
8	731-07757	Retainer, Cord
9	731-07761	Cable, Guide
10	750-05403A	Spacer, 13.0 x 17.0 x 30.0
11	750-05405	Spacer, 13.0 x 17.0 x 134.0
12	736-0685	Washer, Flat, 6.4 Id x 18 OD
13	710-1687	Screw, Carriage, M6-1, 20.00
14	749-04691	Handle, Mid
15	749-04699A	Handle, Lower, Lift Type
16	749-04690	Handle, Upper
17	912-0691	Nut, Hex Lock, M6-1
18	720-04153	Knob, M6
19	731-07627	Chute, Lower, Snow
20	731-07628A	Chute, Upper
21	790-00466	Bracket, Chute, Ratchet
22	732-04874	Spring, Compression
23	736-0270	Washer, Bell, .265 x .750 x .062
24	710-05137	Screw, Tap, M4.2 x 1.4 x 13
25	710-05148	Screw, Tap, M6.3 x 1.8 x 20
26	731-07636	Wheel, Roller
27	731-07629A	Cover, Top
28	731-07630A	Cover, Engine, Lower
29	731-07634A	Cover, Belt
30	731-07640	Blade, Scraper
31	731-07682A	Housing, Auger, Red
32	731-07684	Cover, Front, Red
33	731-07722	Bracket, Cord, Holder
34	710-05132	Screw, Hex Screw, M6 x 8mm
35	911-05381	Shaft, Roller, Wheel
36	736-0685	Washer, Flat, 6.4 Id x 18 OD

# Motor & Auger



## Motor & Auger

Ref.	Part Number	Description
1	924-04037	Motor Assembly (Incl. Ref 13)
2	931-04505	Pulley Assembly, Idler
3	656-04060AP	Pulley Assembly
4	710-04197	Screw, M6-1, 35.00
5	710-05132	Screw, Hex Screw, M6 x 8mm
6	710-05137	Screw, Tap, M4.2 x 1.4 x 13
7	710-05187A	Screw, Hex Flange, M8-1.25, 60mm
8	710-1391	Screw, M6-1, 45.00
9	712-04065	Nut, Flange Lock, 3/8-16, Nylon
10	912-0691	Nut, Hex Lock, M6-1
11	712-0692	Nut, Hex Lock, M8-1.25, Nylon
12	790-00472	Plate, Drive Pulley
13	756-04455A	Pulley, 5mm, 15 Tooth
14	723-04076	Gasket, Foam
15	731-07772	Spacer, Motor Mount
16	732-04770	Extension Spring, Idler
17	712-04064	Nut, Flange Lock, 1/4-20, Nylon
18	736-04502A	Washer, Flat, M12
19	736-0685	Washer, Flat, 6.4 Id x 18 OD
20	736-3081	Washer, Flat, .320 x .600 x .060

Ref.	Part Number	Description
21	738-04446	Spacer, Shoulder, Hex, M6
22	738-04449	Screw, Shoulder
23	750-05435	Spacer, 8.35 x 16 x 11.65
24	754-04279A	Belt, Sync
25	754-04281A	Belt, Poly, 6 Rib
26	756-04481	Pulley, Auger, 6 Rib
27	790-00418	Bracket, Idler
28	790-00425	Plate, Motor Mount
29	684-04396	Auger Weldment
30	790-00446	Cover, Bearing
31	790-00447	Outer Frame, LH
32	710-05419	Screw, Self-tapping, 1/4-20, 0.625
33	735-04273	Paddle Auger, Rubber
34	710-05413	Screw, Self-tapping, 1/4-20, 0.500
35	710-04666	Screw, 1/4-10 x .75
36	736-0685	Washer, Flat, 6.4 Idx18 OD
37	741-04466	Bearing, Ball, 12 x 37 x 12
38	790-00397A	Outer Frame, RH
39	731-09027	Bracket, Paddle, Mount, LH
40	731-09028	Bracket, Paddle, Mount, RH