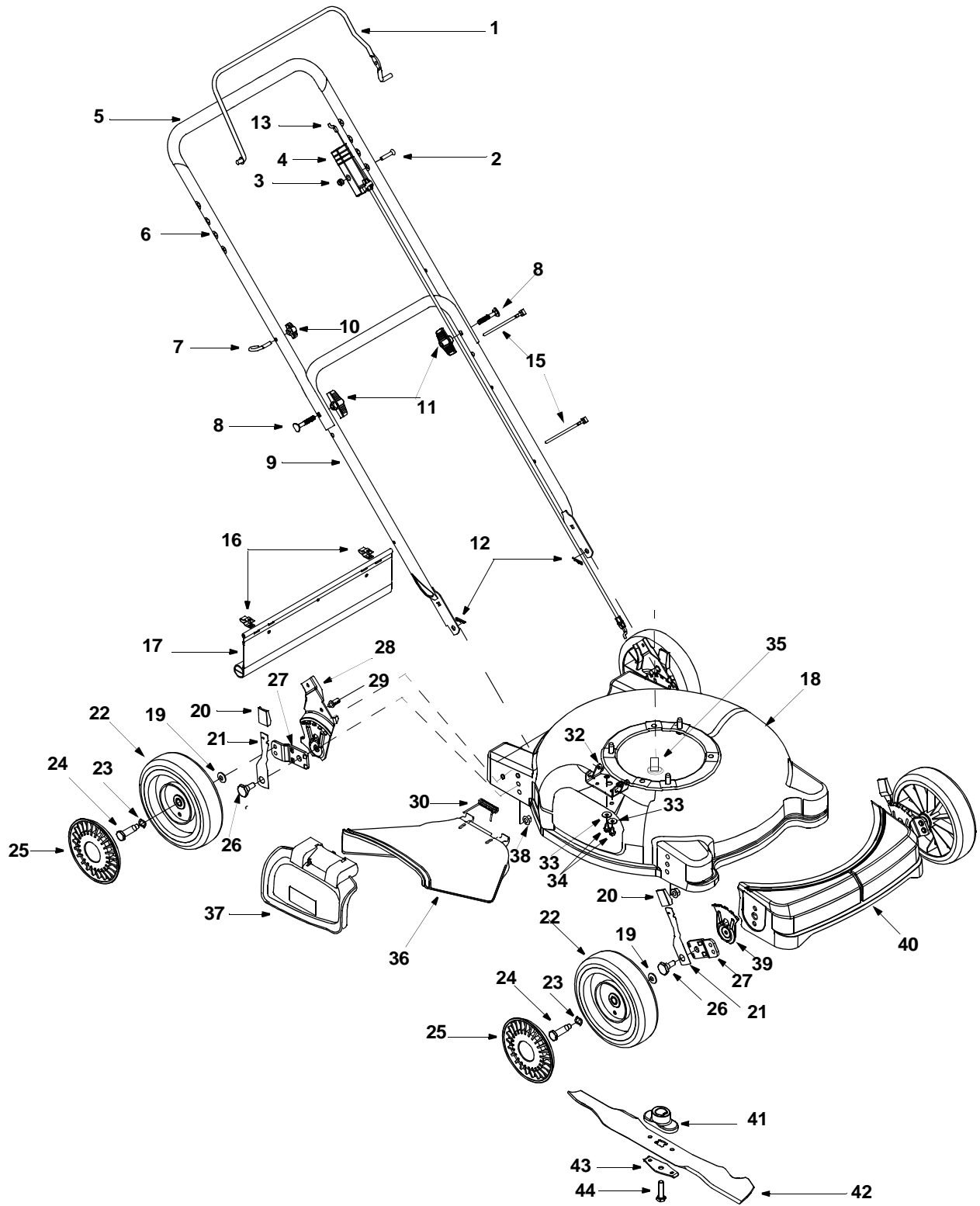


# SECTION 10: PARTS LIST MODEL 106



# Model 106

| Ref. No. | Part No.  | Description                | Ref. No. | Part No.  | Description                  |
|----------|-----------|----------------------------|----------|-----------|------------------------------|
| 1.       | 747-0824  | Control Handle Assembly    | 25.      | 731-1426  | Hubcap: Radial Spoke, Yellow |
| 2.       | 710-1270  | Oval C-Sunk Screw          | 26.      | 738-0507B | Shoulder Bolt                |
| 3.       | 712-0324  | Hex Lock Nut               | 27.      | 15262B    | Pivot Bar                    |
| 4.       | 746-0883  | Control Housing            | 28.      | 682-3024  | Handle Bracket Assembly RH   |
| 5.       | 720-0295  | Foam Grip                  |          | 682-3025  | Handle Bracket Assembly LH*  |
| 6.       | 749-0705  | Upper Handle               | 29.      | 738-0585  | Stake Bolt                   |
| 7.       | 710-1205  | Rope Guide                 | 30.      | 732-0731  | Torsion Spring               |
| 8.       | 710-1174  | Carriage Bolt              | 31.      | 14578     | Height Adjust. Assembly RH   |
| 9.       | 749-0928  | Lower Handle               |          | 14579     | Height Adjust. Assembly LH*  |
| 10.      | 720-0279  | Wing Nut                   | 32.      | 782-7006  | Mounting Bracket             |
| 11.      | 720-0314  | Hand Knob                  | 33.      | 736-0270  | Bell Washer                  |
| 12.      | 714-0104  | Hairpin Clip               | 34.      | 710-0599  | Hex Washer Hd. TT Screw      |
| 13.      | 746-0554  | Control Cable 40.5"        | 35.      | 710-0654A | TT Sems Screw                |
| 15.      | 726-0240  | Cable Tie                  | 36.      | 731-1409  | Chute Deflector              |
| 16.      | 17098     | Hinge Clip                 | 37.      | 682-7002  | Mulching Plug Assembly       |
| 17.      | 731-0872A | Trail Shield               | 38.      | 712-0431  | Hex Lock Nut                 |
| 18.      | 682-0139  | Cutting Deck Assembly: 20" | 39.      | 15261A    | Height Adjustment Plate      |
| 19.      | 736-0105  | Bell Washer                | 40.      | 731-1933  | Cover: Front End             |
| 20.      | 720-0190  | Knob: Height Adjustment    | 41.      | 753-0588  | Blade Adapter Kit            |
| 21.      | 732-0404  | Lever: Spring              | 42.      | 742-0740  | 20" Mulching Blade           |
| 22.      | 734-1978  | Wheel Assembly             | 43.      | 736-0524A | Blade Bell Support           |
| 23.      | 736-0504  | Wave Washer                | 44.      | 710-1044  | Hex Bolt                     |
| 24.      | 738-0102  | Axle Bolt                  |          |           |                              |

\* Not shown in Illustration on previous page

**NOTE:** For **painted parts**, please refer to the list of color codes below. Please add the applicable color code, wherever needed, to the part number to order a replacement part. For instance, if a part numbered 700-xxxx is painted Yard-Man Green, the part number to order would be 700-xxxx-0665.

Yard-Man Green: 0665

Yard-Man Yellow: 0674

Powder Black: 0637