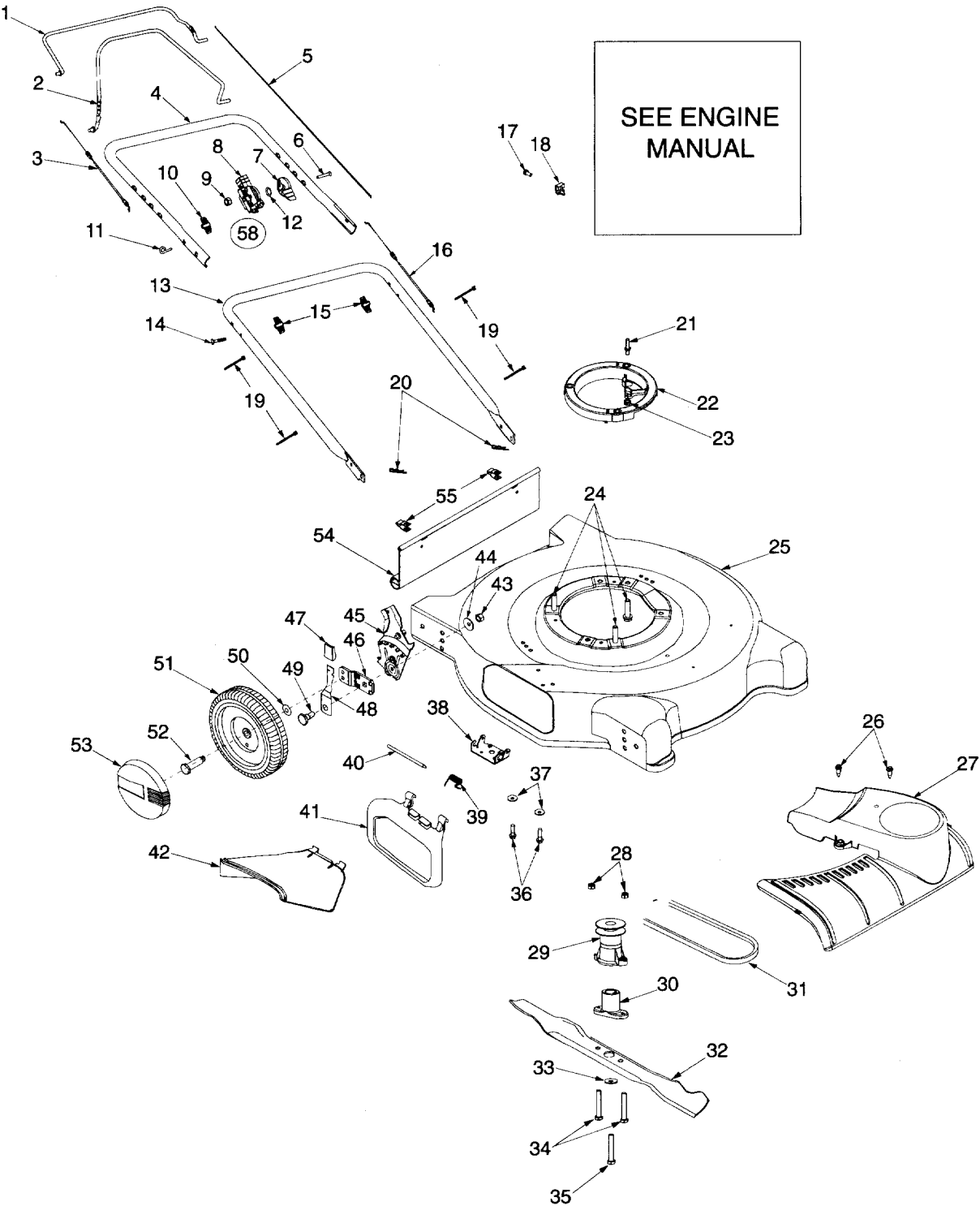


Model 260 Series

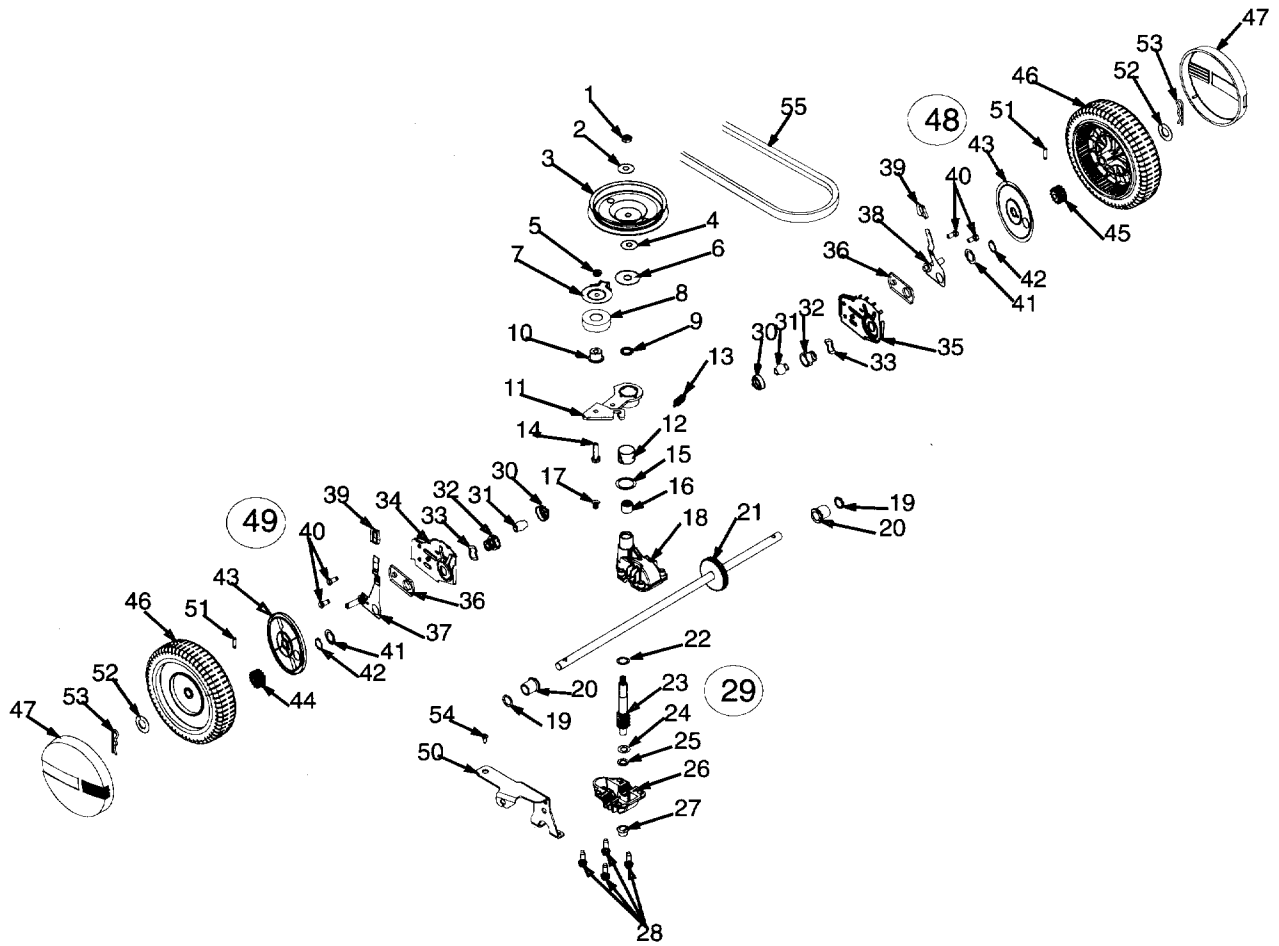


Model 260 Series

REF. NO.	PART NO.	DESCRIPTION	REF. NO.	PART NO.	DESCRIPTION
1	747-0824	Control Lever	27	731-1926	Trans Cover - Black w/Logo
2	747-0854	Drive Control Lever		731-1927	Trans Cover - Black wo/Logo
3	746-0959	Drive Cable	28	712-0324	Hex Lock Nut 1/4-20 Thd.
4	749-0538C	Upper Handle	29	756-1146A	Drive Pulley
5	746-0550	Control Cable: 39" (B&S)	30	753-0825	Blade Adapter Kit (Incl. Ref. 28,33,34,35)
	746-0737	Control Cable: 51" (Tec.)	31	754-0466	V-Belt
6	710-0605	Screw Oval C-Sunk 1/4-20 x 1.81 (used w/ 746-0875)	32	742-0642	Blade 22"
	710-1270	Screw Oval C-Sunk 1/4-20 x 1.31 (used w/ 746-0883)		742-0742	Mulching Blade - 22"
7	746-0876	Throttle Lever †	33	736-0452	Bell Washer .396 I.D. x 1.140 O.D. x .095
8	746-0875	Throttle Housing †	34	710-0606	Hex Screw 1/4-20 x 1.50
	746-0883	Control Housing	35	710-1257	Hex Screw 3/8-24 x 2.50
9	712-0324	Hex Lock Nut 1/4-20	36	710-0599	Tapp Screw 1/4-20 x .500
10	720-0279	Knob	37	736-0270	Bell Wash .265 x .75 x .062
11	710-1205	Eye Bolt 1/4-20	38	782-7006	Hinged Mounting Bracket
12	736-0501	Curved Washer .663 x .980 x .014 †	39	732-0731	Torsion Spring
13	749-0928	Lower Handle	40	747-0710	Hinge Pin
14	710-1174	Carriage Bolt 5/16-18 x 2.0	41	731-1386A	Mulch Plug
15	720-0276	Knob	42	731-1034	Chute Deflector
16	746-0842	Throttle Cable: 51" (B&S) †	43	712-0798	Hex Nut 3/8-16
	746-0847	Throttle Cable: 42" (Tec.) †	44	736-0356	Bell Washer .39 ID x 1.38 OD
17	710-1237	Hex Screw: T: #10-32 x .625 (B&S) †	45	682-3024	Hgt Adj Brkt Ass'y - RH
	710-0871	Hex Screw: T: #10-32 x .625 (Tec.) †		682-3025	Hgt Adj Brkt Ass'y - LH
18	751B213146	Cable Clamp (B&S) †	46	15262B	Pivot Bar
	7510007775	Cable Clamp (Tec.) †	47	720-0190	Knob
19	726-0240	Tie Cable	48	732-0404	Height Lever
20	714-0104	Cotter Pin	49	738-0507B	Shldr Screw .500 Dia x .434
21	711-1293	Pin-Belt Keeper	50	736-0105	Bell Washer .380 x .880 x .062
22	631-0075A	Engine Spacer	51	634-0020	Wheel 8 x 1.75 Disk Bar Gray
23	712-0271	Hex Nut 1/4-20 Thread	52	738-0102	Shoulder Screw .498 x 1.445
24	710-1008	Tapp Screw w/Hex Lock Wash	53	720-0249	Hubcap: Euro: Grey
25	682-0087	Deck 22" SD	54	731-1029	Rear Flap
26	7510042824	Screw #12 x .457	55	17098	Clip
			58	811-00185	Throttle Comp. (Incl. Ref 6,7,8,9,12) †

† Optional

Model 260 Series



IMPORTANT: For a proper working machine, use Factory Approved Parts.

V-BELTS are specially designed to engage and disengage safely. A substitute (non OEM) V-Belt can be dangerous by not disengaging completely.

Model 260 Series

REF. NO.	PART NO.	DESCRIPTION	REF. NO.	PART NO.	DESCRIPTION
1	712-3025	Hex Jam Nut 5/16-24	29	618-0298A	Transmission-Complete (Incl. 1 thru 30)
2	736-0425	Bell Wash .325 x .930 x .045	30	732-0708	Bearing Retainer
3	756-1042	Pulley	31	741-0604	Bearing Sleeve .50 I.D.
4	736-0425	Bell Wash .325 x .930 x .045	32	748-0355	Bearing Support
5	712-0896	Hex Nut 1/4 - 28 Lock	33	736-0447	Wave Washer 1.5 x 1.0 x .029
6	736-0406	Flat Wash .442 x 1.38 x .060	34	782-0512B	Height Adj. Plate: RH
7	782-7598	Belt Keeper	35	782-0511A	Height Adj. Plate: LH
8	741-0124	Ball Bearing	36	682-0509	Pivot Plate Asm.
9	721-0457	Oil Seal	37	732-0706	Front Lever R.H
10	750-1050	Flange Spacer	38	732-0707	Front Lever L.H.
11	682-0028	Idler Bracket Ass'y	39	720-0190	Knob
12	741-0682A	Bearing Sleeve	40	710-0216	Hex Cap Screw 3/8-16 x .75
13	732-0849A	Wash:Flat:.504 x .700 x .030	41	736-0474	Washer DD 1.5" O.D.
14	710-0299	Hex Cap Screw 1/4-28 x 1.00 Gr. 5	42	716-0102	Snap Ring 1.0 Dia
15	736-0570	Flat Washer .865 x 1.145 x .030	43	782-7551	Wheel Dust Cap
16	741-0699	Needle Bearing .438 x .625 x .500	44	717-1534	Gear 14T RH Fwd
17	721-0325	Plug 1/4 x .437	45	717-1533	Gear 14T LH Fwd
18	618-0300	Housing Asm:Upper:(Incl. #16)	46	634-0021A	Whl 8x1.75 Disk Bar Gray Sleev S
19	721-0329	Seal:Oil:.500x .687 x .094	47	720-0249	Hubcap:Euro:Grey
20	741-0673	Flange Bearing .503 x .689 x .792	48	682-0512A	Height Adj. Complete RH
21	611-0105	Output Shaft	49	682-0511A	Height Adj. Complete LH
22	736-0520	Flat Washer .504 x .700 x .030	50	682-0030	Cable Idler Bracket
23	717-1492	Pinion Shaft 10T.	51	715-0221	Dowel Pin
24	736-0314	Thrust Washer .375 x .70 x .030	52	736-3013	Flat Washer 1/2 x 1.00 x .063
25	736-0569	Thrust Washer .388 x .625 x .062	53	714-0101	Cotter Pin .08 x 1.42
26	618-0299	Housing:Lwr: (Includes #27)	54	738-1002	Screw, Shoulder .375 x .25AB: 1/4-20
27	741-0672	Flange Bearing .378 x .531 x .370	55	754-0466	"V"-Belt
28	710-1276	Hex Screw w/Wash 1/4-20 x .750			