

# Illustrated Parts List

## GARDEN TRACTORS MODELS

820 THRU 829

840 THRU 849



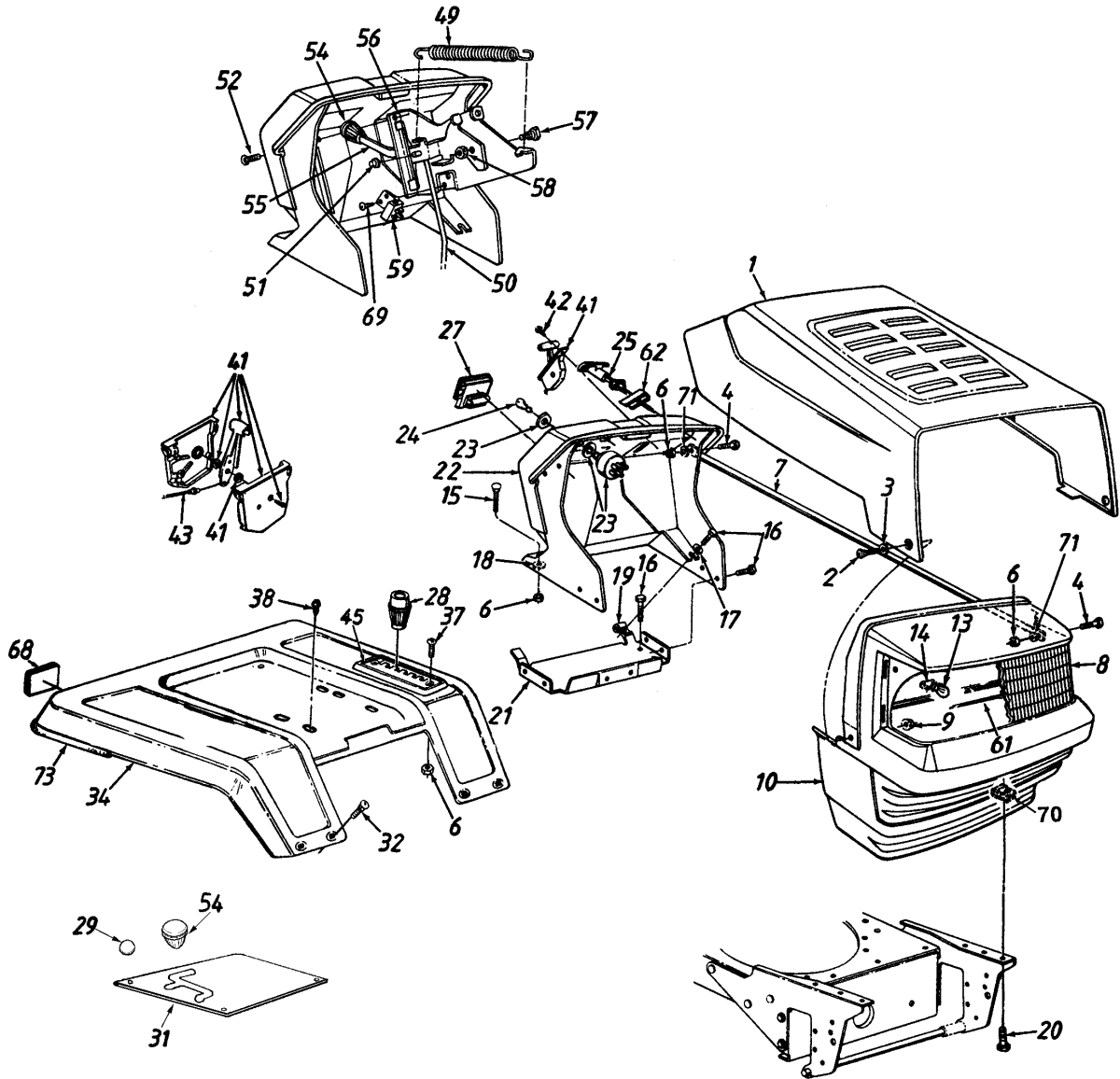
MTD PRODUCTS INC. P.O. BOX 368022 CLEVELAND, OHIO 44136-9722

PRINTED IN U.S.A.

FORM NO. 770-10120A  
(12/99)

# Models 820 and 840

(Style 0)



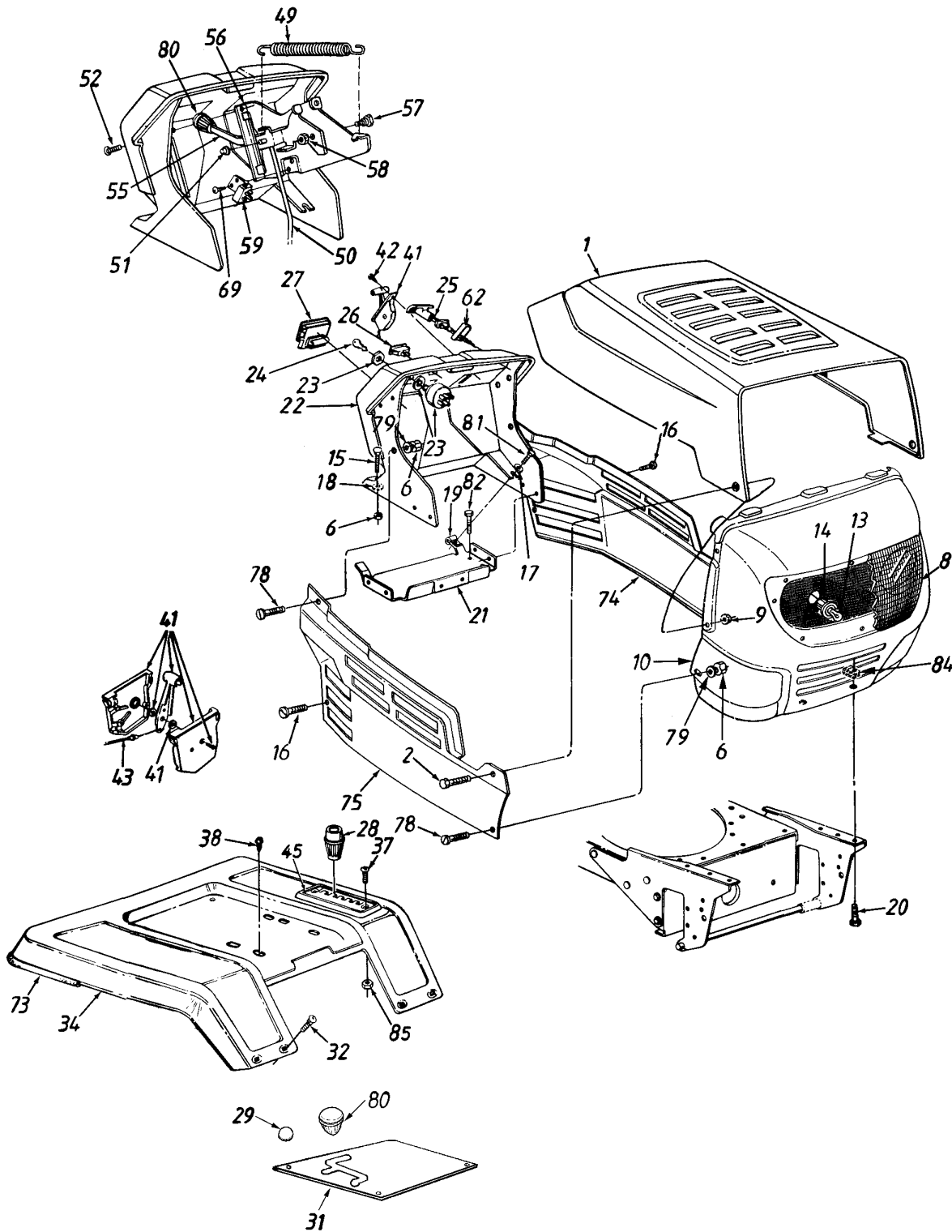
# Models 820 and 840

(Style 0)

REF. NO.	PART NO.	DESCRIPTION	REF. NO.	PART NO.	DESCRIPTION
1	783-0250	Hood	32	710-0167	Carriage Bolt 1/4-20 x .5" Lg.
2	738-0952	Shld. Bolt .375" Dia. x .125" Lg.	34	17426A	Fender
3	736-0175	Spr. Wash. .265" I.D. x .562" OD	37	710-0924	Truss Mach. Scr. #1/4-20 x .75" Lg.
4	710-0751	Hex Bolt 1/4-20 x .62" Lg.*	38	710-0726	Hex Wash. Hd. AB-Tap Scr. 5/16 x .75"
6	712-0271	Hex Sems Nut 1/4-20 Thd.	41	831-0823A	Throttle Box Ass'y.
7	749-0813A	Grille Support Rod	42	710-0779A	Truss Mach. AB-Tap Scr. #10 x .5"
8	731-1099A	Headlight Lens w/o Logo	43	746-0634	Throttle Control Wire 35" Lg.
	731-1767	Headlight Lens w/Logo		746-0630	Throttle Control Wire 39" Lg.
9	712-3027	Flange L-Nut 1/4-20 Thd.	45	731-1360	6-Speed Selector Plate (820)
10	731-1097D	Grille		731-1774	7-Speed Selector Plate (840)
13	725-0963	Lamp	49	732-0626	Ext. Spring 5.06" Lg.
14	725-1649	Socket	50	747-0750A	Deck Control Rod
15	710-0932	Carriage Bolt 1/4-20 x 1.0" Lg.	51	726-0106	Speed Nut 1/4" Rod
16	710-0776A	Hex AB-Tap Scr. 1/4 x .62" Lg.	52	710-1017	Torx Mach. Scr. 1/4 x .62" Lg.
17	736-0173	Fl-Wash. .281" I.D. x .73" O.D.	54	720-0232	PTO Knob
18	726-0233	Bolt Retainer 1/4" I.D.	55	17500	PTO Lever
19	712-0185	Speed Nut 1/4-20 Thd.	56	783-0461A	PTO Bracket
20	710-3008	Hex Bolt 5/16-18 x .75" Lg.	57	738-0155	Shld. Bolt .437" Dia. x .162"
21	783-0347A	Battery Plate	58	712-3009	Hex L-Nut 5/16-18 Thd.
22	731-1678	Dash—w/Ammeter & Light Switch Holes	59	725-1657A	Safety Switch
	731-1679	Dash—w/o Ammeter & Light Switch	61	777-9206	Grille Reflector Label
23	725-1717	Ignition Switch	62	17782	Retainer Clip
24	725-0201	Ignition Key	68	730-3000	Reflector (Optional)
25	746-0614A	Choke Control	69	710-1066	Hex Wash. Hd. B-Tap Scr. #10 x .38"
27	725-0925	Ammeter (Optional)	70	726-0211	U-Nut 5/16-18 Thd.
28	720-0218	Shift Knob	71	736-0342	Fl-Wash. .28" I.D. x .75" O.D.
29	720-0166	Knob	73	731-0511-81	Trim Strip 81" Lg.
31	783-0348	Shift Cover			

\* For faster service obtain standard nuts, bolts and washers locally. If these items cannot be obtained locally, order by part number shown on parts list

# Models 823 and 843 (Style 3)



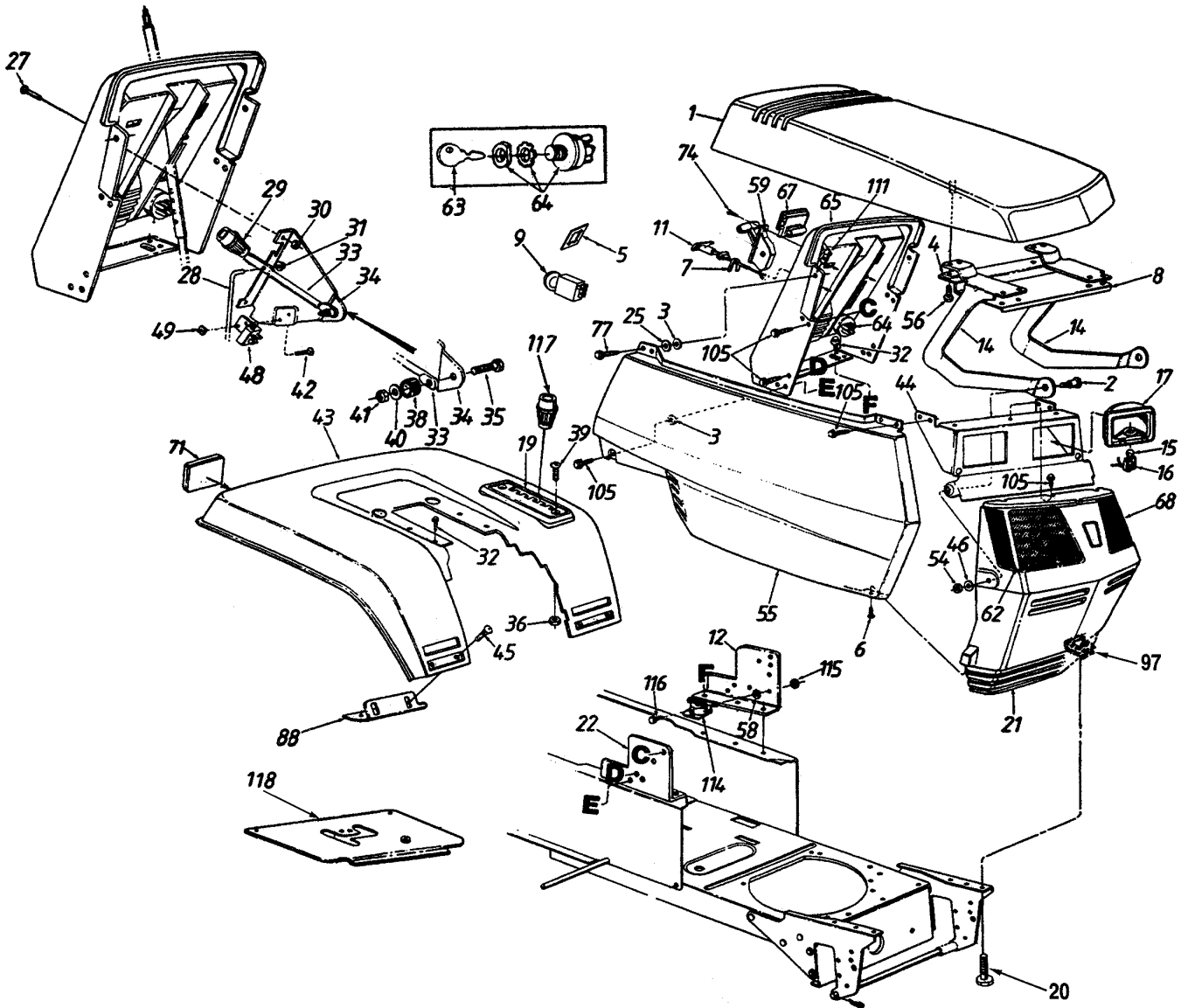
# Models 823 and 843

(Style 3)

REF. NO.	PART NO.	DESCRIPTION	REF. NO.	PART NO.	DESCRIPTION
1	783-0250	Hood	41	831-0823A	Throttle Box Ass'y.
2	738-0952	Shld. Bolt .375" Dia. x .125" Lg.	42	710-0779A	Truss Mach. AB-Tap Scr. #10 x .5" Lg.
6	712-0287	Hex Nut 1/4-20 Thd.*	43	746-0634	Throttle Control Wire 35" Lg.
8	731-1503A	Headlight Lens		746-0630	Throttle Control Wire 39" Lg.
9	712-3027	Flange L-Nut 1/4-20 Thd.	45	731-1360	6-Speed Selector Plate (823)
10	783-0156A	Grille		731-1774	7-Speed Selector Plate (843)
13	725-0963	Lamp	49	732-0626	Ext. Spring 5.06" Lg.
14	725-1651	Socket	50	747-0750A	Deck Control Rod
15	710-0932	Carriage Bolt 1/4-20 x 1.0" Lg.	51	726-0106	Speed Nut 1/4" Rod
16	710-0599	Hx Wash. Hd. TT-Tap Scr. 1/4-20 x .5" L	52	710-1017	Torx Mach. Scr. 1/4 x .62" Lg.
17	736-0173	Fl-Wash. .281" I.D. x .73" O.D.	55	17500	PTO Lever
18	726-0233	Bolt Retainer 1/4" I.D.	56	783-0461A	PTO Bracket
19	712-0185	Speed Nut 1/4-20 Thd.	57	738-0155	Shld. Bolt .437" Dia. x .162"
20	710-3008	Hex Bolt 5/16-18 x .75" Lg.	58	712-3009	Hex L-Nut 5/16-18 Thd.
21	783-0347A	Support Brkt.	59	725-1657A	Safety Switch
22	731-1678	Dash w/Amp & Light Holes	62	17782	Retainer Clip
	731-1679	Dash w/o Amp & Light Holes	69	710-1066	Hx Wash. Hd. B-Tap Scr. #10 x .38" L.
23	725-1717	Ignition Switch	73	731-0511-81	Trim Strip 81" Lg.
24	725-0201	Ignition Key	74	783-0151	Side Panel—L.H.
25	746-0614A	Choke Control	75	783-0150A	Side Panel—R.H.
27	725-0925	Ammeter (Optional)	78	710-0286	Pan Hd. Mach. Scr. 1/4-20 x .5" Lg.
28	720-0218	Shift Knob	79	736-0270	Bell-Wash. 1/4" I.D.
29	720-0166	Knob	80	720-0232	Small Shift Knob
31	783-0348	Shift Cover	81	710-0642	Hex TT-Tap Scr. 1/4-20 x .75" Lg.
32	710-0167	Carriage Bolt 1/4-20 x .5" Lg.	82	710-0776A	Hex AB-Tap Scr. 1/4 x .62" Lg.
34	17426A	Fender	84	726-0211	U-Nut 5/16-18 Thd.
37	710-0924	Truss Mach. Scr. #1/4-20 x .75" Lg.	85	712-0271	Hex Sems Nut 1/4-20 Thd.
38	710-0726	Hx Wash Hd. AB-Tap Scr. 5/16 x .75" L			

# Models 824 and 844

(Style 4)



# Models 824 and 844

(Style 4)

REF. NO.	PART NO.	DESCRIPTION	REF. NO.	PART NO.	DESCRIPTION
1	731-1433	Hood Ass'y.	42	710-0224	Truss Mach. Scr. #10-24 x .5"Lg. †
2	738-0141	Shld. Bolt .437" Dia. x .35"	43	783-0351	Rear Fender
3	726-0233	Bolt Retainer 1/4" I.D.	44	17223	Light Bracket
4	17762	Hood Reinforcement Spacer	45	710-0167	Carriage Bolt 1/4-20 x .50" Lg.*
5	783-0462	Switch ††	46	736-0278	Fl-Wash. .328" I.D. x .68" O.D.
6	710-0351	Truss Mach. B-Tap Scr.#10 x .5" Lg.	48	725-1657A	Safety Switch †
7	17782	Retainer Clip	49	712-0121	Hex Nut #10-24 Thd. †
8	783-0121	Hood Reinforcement	54	712-0158	Hex Cent. L-Nut 5/16-18 Thd.
9	725-1716	PTO Switch ††	55	731-1434	Side Cover-R.H.
11	746-0614A	Choke Control		731-1435	Side Cover-L.H. (Not Shown)
12	17294B	Dash Support Brkt.-L.H.	56	710-1005	Hx Wash. Hd. B-Tap Scr.1/4 x .5" Lg.
14	783-0123	Hood Hinge	58	736-0222	Ext. L-Wash. 1/4" I.D.
15	725-0963	Lamp	59	831-0823A	Throttle Control Box Ass'y.
16	725-1650	Twist Lock-Lamp Socket	62	731-0948	Lens-R.H.
17	731-0705	Headlight Housing	63	725-0201	Ignition Key
19	731-1774	7-Speed Selector Plate	64	725-1717	Ignition Switch
21	731-1442A	Grille	65	731-0962	Dash Panel †
22	17293B	Dash Support Bracket-R.H.		731-1772	Dash Panel ††
23	736-0119	L-Wash. 5/16" I.D.*	67	725-0925	Ammeter
24	712-3010	Hex Nut 5/16-18 Thd. (Gr. 5)	68	731-0949	Lens-L.H.
25	736-0176	Fl-Wash. 1/4" I.D. x .93" O.D.	69	725-1347	Ignition Switch Cap
27	710-0286	Truss Mach. Scr. 1/4-20 x .5" Lg. †	71	730-3000	Reflector (Optional)
28	747-0708A	Deck Control Rod †	73	725-1346	Ignition Switch Nut
29	720-0232	Knob-Blade Clutch †	74	710-0779A	Truss Mach. AB-Tap Scr.#10 x .5" Lg.
30	712-0271	Hex Sems Nut 1/4-20 Thd.* †	75	710-0936	Truss Hd. AB-Tap Scr. #6 x.62" Lg.
31	726-0106	Push Cap †	77	710-0642	Hex Wash. Hd. Tap Scr.1/4 x .75" Lg.
32	710-0726	Hex Wash. Hd. AB-Tap Scr.5/16 x .75"	88	17406	Fender Bracket-R.H.
33	747-0513A	PTO Lever †		17407	Fender Bracket-L.H.
34	783-0460	Deck Clutch Cont. Brkt. †	97	726-0211	U-Nut 5/16-18 Thd.
35	710-0106	Hex Bolt 1/4-20 x 1.25" Lg.* †	105	710-0599	Hex Tap Scr. 1/4-20 x .5" Lg.
36	712-0271	Hex Sems Nut 1/4-20 Thd.	111	712-0185	Speed Nut 1/4-20 Thd.
37	736-0329	L-Wash. 1/4" I.D.*	114	725-1426	Solenoid
38	735-0126	Rubber Washer †	115	712-0271	Hex Sems Nut 1/4-20 Thd.
39	710-0924	Truss Mach. Scr. 1/4-20 x .75"Lg.	116	710-3013	Hex Bolt 1/4-20 x .5" Lg.*
40	736-0173	Fl-Wash. .281" I.D. x .73" †	117	720-0218	Shift Knob
41	712-0324	Hex L-Nut 1/4-20 Thd. †	118	783-0430	Shift Cover

† Used with Manual PTO

†† Used with Electric PTO



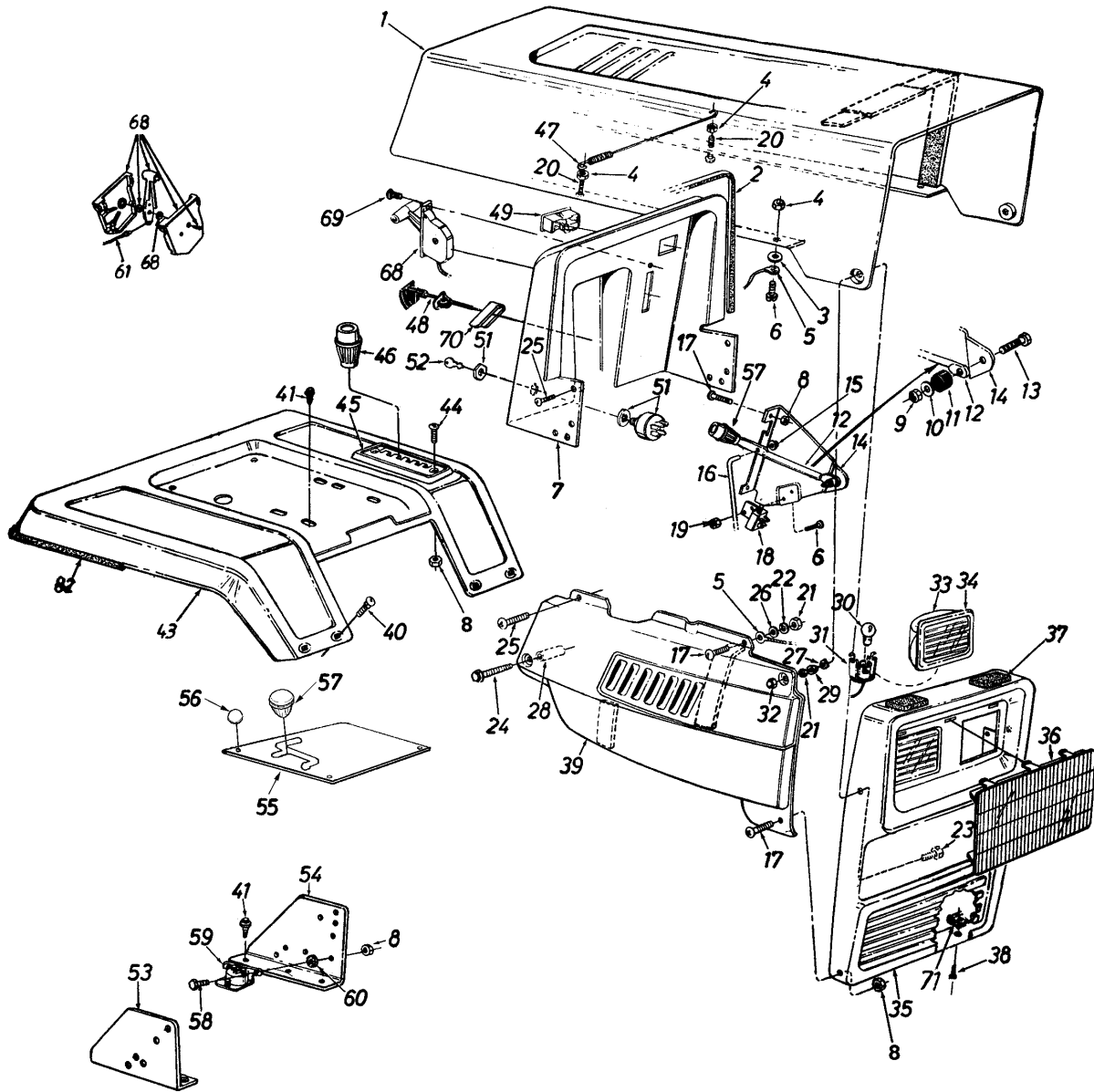


# Models 825 and 845

## (Style 5)

REF. NO.	PART NO.	DESCRIPTION	REF. NO.	PART NO.	DESCRIPTION
1	783-0250	Hood	41	831-0823A	Throttle Box Ass'y.
2	738-0952	Shld. Bolt .375" Dia. x .125" Lg.	42	710-0779A	Truss Mach. AB-Tap Scr. #10 x .5" Lg.
6	712-0271	Hex Sems Nut 1/4-20 Thd.	43	746-0634	Throttle Control Wire 35" Lg.
8	731-1767	Headlight Lens w/Logo		746-0630	Throttle Control Wire 39" Lg.
	731-1099A	Headlight Lens w/o Logo	45	731-1360	6-Speed Selector Plate (825)
9	712-3027	Flange L-Nut 1/4-20 Thd.		731-1774	7-Speed Selector Plate (845)
10	731-1097D	Grille	49	732-0626	Ext. Spring 5.06" Lg.
13	725-0963	Lamp	50	747-0750A	Deck Control Rod
14	725-1649	Socket	51	726-0106	Speed Nut 1/4" Rod
15	710-0932	Carriage Bolt 1/4-20 x 1.0" Lg.	52	710-1017	Torx Mach. Scr. 1/4 x .62" Lg.
16	710-0599	Hx Wash Hd. TT-Tap Scr. 1/4-20 x .5" L	55	17500	PTO Lever
17	736-0173	Fl-Wash. .281" I.D. x .73" O.D.	56	783-0461A	PTO Bracket
18	726-0233	Bolt Retainer 1/4" I.D.	57	738-0155	Shld. Bolt .437" Dia. x .162"
19	712-0185	Speed Nut 1/4-20 Thd.	58	712-3009	Hex L-Nut 5/16-18 Thd.
20	710-3008	Hex Bolt 5/16-18 x .75" Lg.	59	725-1657A	Safety Switch
21	783-0347A	Battery Plate	61	777-9206	Grille Reflector Label
22	731-1678	Dash—w/Ammeter & Light Switch Holes	62	17782	Retainer Clip
	731-1679	Dash—w/o Ammeter & Light Switch Holes	68	730-3000	Reflector (Optional)
23	725-1717	Ignition Switch	69	710-1066	Hx Wash. Hd. B-Tap Scr. #10 x .38" Lg.
24	725-0201	Ignition Key	70	726-0211	U-Nut 5/16-18 Thd.
25	746-0614A	Choke Control	73	731-0511-81	Trim Strip 81" Lg.
27	725-0925	Ammeter (Optional)	74	783-0151	Side Panel—L.H.
28	720-0218	Shift Knob	75	783-0150A	Side Panel—R.H.
29	720-0166	Knob	78	710-0286	Pan Hd. Mach. Scr. 1/4-20 x .5" Lg.
31	783-0348	Shift Cover	79	736-0270	Bell-Wash. 1/4" I.D.
32	710-0167	Carriage Bolt 1/4-20 x .5" Lg.	80	720-0232	Small Shift Knob
34	17426A	Fender	81	710-0642	Hex TT-Tap Scr. 1/4-20 x .75" Lg.
37	710-0924	Truss Mach. Scr. #1/4-20 x .75" Lg.	82	710-0776A	Hex AB-Tap Scr. 1/4 x .62" Lg.
38	710-0726	Hx Wash Hd. AB-Tap Scr. 5/16 x .75" L			

# Models 82A and 84A (Style A)



# Models 82A and 84A

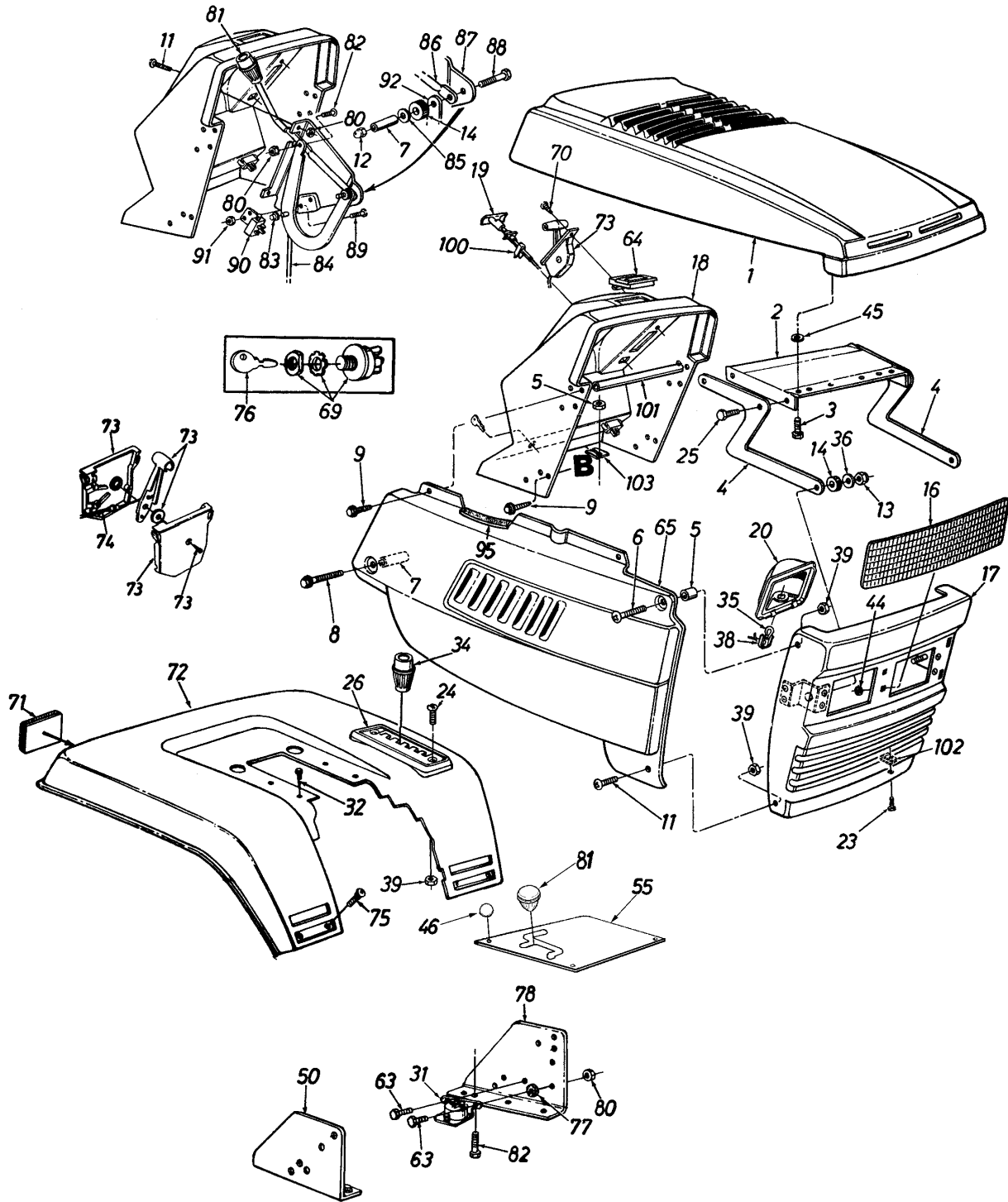
## (Style A)

REF. NO.	PART NO.	DESCRIPTION	REF. NO.	PART NO.	DESCRIPTION
1	16787B	Hood	35	15806C	Grille
2	731-0511-31	Trim Strip 31" Lg.		16456C	Grille—Used w/Headlight Bezel
3	736-3067	Fl-Wash. .188" I.D. x .41" O.D.	36	731-0967	Headlight Bezel†
4	712-0272	Hex Sems Nut #10-24 Thd.	37	722-0157	Foam Strip
5	727-0290A	Hood Stop	38	710-3008	Hex Bolt 5/16-18 x .75" Lg.
6	710-0473	Truss Mach. Scr. #10-24 x .5" Lg.	39	16725	Side Panel Ass'y.—R.H.
7	16550A	Dash Ass'y. w/AMP		17309B	Side Panel Ass'y.—L.H. (Not Shown)
	17998	Dash w/o AMP	40	710-0167	Carriage Bolt 1/4-20 x .5" Lg.
8	712-0271	Hex Sems Nut 1/4-20 Thd.	41	710-0726	Hex Wash. AB-Tap Scr. 5/16 x .75" Lg.
9	712-0324	Hex L-Nut 1/4-20 Thd.	42	731-0511-81	Trim Strip—81" Lg.
10	736-0173	Fl-Wash. .281" I.D. x .73" O.D.	43	17426A	Fender
11	735-0126	Rubber Washer	44	710-0924	Truss Mach. Scr. 1/4-20 x .75" Lg.
12	747-0513	PTO Lever	45	731-1360	6-Speed Selector Plate (828)
13	710-0106	Hex Bolt 1/4-20 x 1.25" Lg.*		731-1774	7-Speed Selector Plate (848)
14	783-0371	Deck Clutch Control Brkt.	46	720-0218	Shift Knob
15	726-0106	Push Cap	47	732-0462	Hood Spring
16	747-0307	Deck Control Rod	48	746-0613A	Choke Control 46" Lg.
17	710-0286	Truss Mach. Scr. 1/4-20 x .5" Lg.	49	725-0925	Ammeter†
18	725-1657A	Safety Switch	51	725-1717	Ignition Switch
19	712-0272	Hex Sems Nut #10-24 Thd.	52	725-0201	Ignition Key
20	710-0749	Hex Bolt 10-24 x 1.0" Lg.	53	17293B	Dash Support Brkt.—R.H.
21	712-0287	Hex Nut 1/4-20 Thd.*	54	17294B	Dash Support Brkt.—L.H.
22	736-0329	L-Wash. 1/4" I.D.*	55	783-0348	Transmission Cover
23	710-0206	Hex Bolt 1/4-20 x .88" Lg.*	56	720-0166	Ball Knob
24	710-1026	Hex Wash. TT-Tap Scr. 1/4-20 x 1.75" Lg.	57	720-0232	Knob—Blade Clutch
25	710-0642	Hex TT-Tap Scr. 1/4-20 x .75" Lg.	58	710-3013	Hex Bolt 1/4-20 x .5" Lg.
26	736-0463	Fl-Wash. .25" I.D. x .62"	59	725-1426	Solenoid
27	736-0413	Spr. Wash. .39" I.D. x .62"	60	736-0222	Ext. L-Wash. 1/4" I.D.
28	750-0768	Spacer .26" I.D. x .375"	61	746-0634	Throttle Wire 35" Lg.
29	738-0759	Shld. Spacer .375" Dia. x .125" Lg.		746-0630	Throttle Wire 39" Lg.
30	725-0963	Lamp	68	831-0823A	Throttle Control Box Ass'y.
31	725-1650	Socket	69	710-0779A	Truss Mach. AB-Tap Scr. #10 x .5" Lg.
32	712-0264	Acorn Nut 1/4-20 Thd.	70	17782	Retainer Clip
33	731-0705	Headlight Housing	71	726-0211	U-Nut 5/16-18 Thd.
34	731-0706	Headlight Lens†	82	731-0511-81	Trim Strip 81" Lg.

† Optional Parts

# Models 829 and 849

(Style 9)

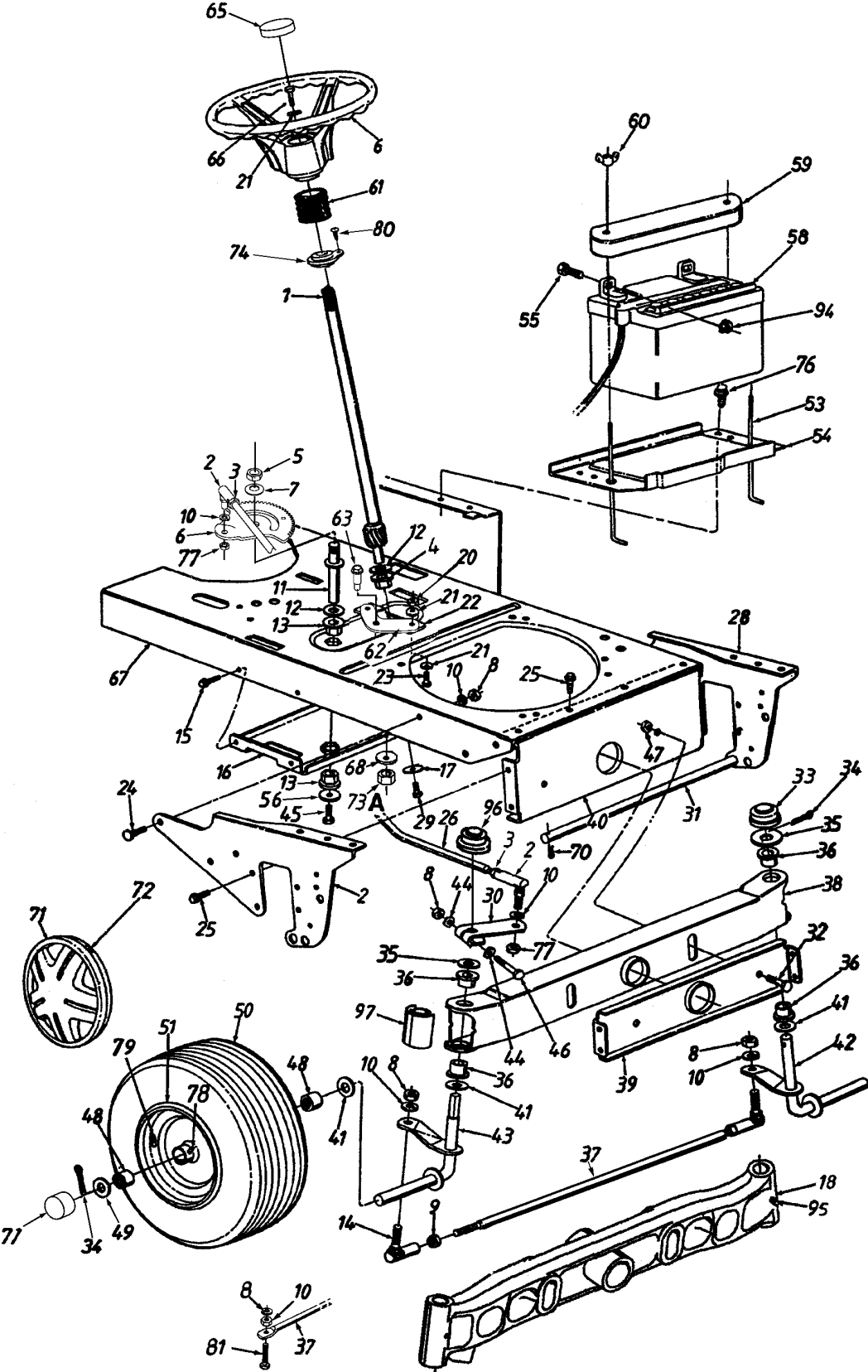


# Models 829 and 849

## (Style 9)

REF. NO.	PART NO.	DESCRIPTION	REF. NO.	PART NO.	DESCRIPTION
1	731-1491A	Hood (Red)	46	720-0166	Ball Knob
	731-1531A	Hood (Charcoal Gray)	50	17293B	Dash Support Brkt.—R.H.
	731-1497A	Hood (Oyster Gray)	55	783-0348	Transmission Cover
	731-1893A	Hood (Black)	63	710-3013	Hex Bolt 1/4-20 x .5" Lg.
2	16903A	Hood Plate	64	725-0925	Ammeter
3	710-1005	Hex Wash. Hd. Tap Scr. 1/4 x .5" Lg	65	16725	Side Panel Ass'y.—R.H.
4	783-0190	Hood Hinge		17309B	Side Panel Ass'y.—L.H.
5	750-0768	Spacer .34" I.D. x .437"	69	725-1717	Ignition Switch
6	710-0166	Truss Hd. Mach. Scr. 1/4-20 Thd.	70	710-0779A	Truss Mach. AB-Tap Scr. #10 x .5" Lg.
7	750-0583	Spacer .26" I.D. x .375"	71	730-3000	Reflector (Optional)
8	710-1026	Hex Wash. TT-Tap Scr. 1/4-20 x 1.75" Lg	72	783-0351	Rear Fender
9	710-0642	Hex T-Tap Scr. 1/4-20 x .75" Lg.	73	831-0823A	Throttle Control Box Ass'y.
11	710-0286	Truss Mach. Scr. 1/4-20 x .5" Lg.	74	746-0634	Throttle Control Wire 35" Lg.
12	712-0324	Hex Ins. L-Nut 1/4-20 Thd.		746-0630	Throttle Control Wire 39" Lg.
13	712-0429	Hex L-Nut 5/16-18 Thd.	75	710-0167	Carriage Bolt 1/4-20 x .5" Lg.
14	735-0126	Rubber Washer	76	725-0201	Key
16	731-1044	Headlight Lens	77	736-0222	Ext. L-Wash. 1/4" I.D.
17	17410A	Grille Ass'y.	78	17294B	Dash Support Brkt.—L.H.
18	731-1680	Dash Ass'y.	80	712-0271	Hex Sems Nut 1/4-20 Thd.
	731-1892	Dash Ass'y. w/Electric Clutch	81	720-0232	Knob
19	746-0614A	Choke Control	82	710-0751	Hex Bolt 1/4-20 x .62" Lg.
20	731-0705	Headlight Housing	83	726-0106	Push Nut
23	710-3008	Hex Bolt 5/16-18 x .75" Lg.	84	16985	PTO Rod
24	710-0924	Truss Mach. Scr. 1/4-20 x .75" Lg	85	736-0173	Fl-Wash. .281" I.D. x .73"
25	710-0599	Hex Wash. Hd. Scr. 1/4" x .5" Lg.	86	16984	PTO Lever
26	731-1360	6-Speed Selector Plate (829)	87	783-0460	Deck Clutch Control Brkt.
	731-1774	7-Speed Index Brkt. (849)	88	710-0102	Hex Bolt 1/4-20 x 2.5" Lg.
31	725-1426	Solenoid	89	710-0473	Truss Mach. Scr. #10-24 x .5" Lg.
32	710-0726	Hex Hd. Rolling Scr. 5/16-24 x .75" Lg.	90	725-1657A	Safety Switch
34	720-0218	Shift Knob	91	712-0121	Hex Nut #10-24 Thd.
35	725-0963	Lamp	92	16983	PTO Bracket
36	736-0242	Bell-Wash. .34" I.D. x .87"	95	731-0511-12	Trim Strip 12" Lg.
38	725-1650	Socket	100	17782	Retainer Clip
39	712-0271	Hex Sems Nut 1/4-20 Thd.	101	749-0814	Dash Support Tube
40	736-0329	L-Wash. 1/4" I.D.*	102	726-0211	U-Nut 5/16-18 Thd.
44	726-0201	Speed Nut 5/16" I.D.	103	783-0013	Dash Panel Fastening Tab
45	736-3010	Fl-Wash. .406" I.D.	104	777-8568A	Chome Label

# Models 820 thru 829; 840 thru 849



# Models 820 thru 829; 840 thru 849

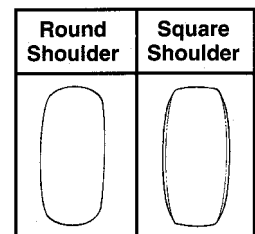
REF. NO.	PART NO.	DESCRIPTION	REF. NO.	PART NO.	DESCRIPTION
1	738-0963	Steering Shaft Ass'y.	45	710-0538	Hex L-Scr. 5/16-18 x .62" Lg.
2	723-0448A	Ball Joint 7/16-20 Thd.	46	710-1257	Hex Bolt 3/8-24 x 2.50" Lg.
3	712-0240	Hex Jam Nut 7/16-20 Thd.	47	712-0431	Hex L-Nut 3/8-16 Thd.*
4	741-0656	Hex Flange Brg.	48	741-0516	Flange Brg. .75" I.D.
5	712-0318	Hex Jam Nut 5/8-18 Thd.	49	736-0316	Fl-Wash. .71" I.D. x 1.5" O.D.
6	717-0943C	Steering Gear Segment	50	**	Wheel Ass'y. Comp. (See Chart)
7	736-0317	Bell-Wash. 5/8" I.D. x 1.25" O.D.		**	Tire Only (See Chart)
8	712-3054	Hex Nut 3/8-24 Thd.	51	**	Rim Only
9	712-0711	Hex Jam Nut 3/8-24 Thd.	53	711-0222A	Battery Hold Down Rod
10	736-0169	L-Wash. 3/8" I.D.*	54	783-0346A	Battery Plate
11	738-0768	Steering Gear Segment Shaft	55	710-3015	Hex Bolt 1/4-20 x .75" Lg. (Gr. 5)
12	736-0187	Fl-Wash. .64" I.D. x 1.24" O.D.	56	736-0343	Fl-Wash. .33" I.D. x 1.25" O.D.
13	748-0227A	Hex Flange Brg. .63" I.D.	58	725-1706	Battery
14	723-3018	Ball Joint Ass'y.	59	731-1683	Battery Cover
15	710-0599	Hx Wash. Hd. TT-Tap Scr. 1/4-20 x .5" Lg.	60	712-3087	Wing Nut Plastic 1/4-20 Thd.
16	16888A	Deck Idler Support Brkt.	61	731-0954	Steering Bellow (Style 0, 3, 5, 9)
17	748-0389	Cap		731-0559A	Steering Bellow (Style A)
18	719-0343A	Pivot Bar Ass'y. (Cast Iron)	62	783-0465	Steering Brace
19	736-0119	L-Wash. 5/16" I.D.*	63	738-0966	Shld. Bolt .5" Dia. x .925" Lg.
20	712-0123	Hex Nut 5/16-24 Thd.*	64	631-0027	Steering Wheel (4 Spoke)
21	736-0242	Bell-Wash. .345" I.D. x .88" O.D.		731-1687	Steering Wheel (3 Spoke)
22	16894	Bearing Retainer Brkt.	65	731-0220	Steering Cap (Round)
23	710-0157	Hex Bolt 5/16-24 x .75" Lg.		731-1459A	Steering Wheel Cap (Square)
24	710-0793	Ribbed Neck Bolt 3/8-24 x .8" Lg.	66	710-0643	Hex L-Bolt 5/16-18 x 1" Lg.
25	710-0604	Hex Wash. TT-Tap Scr.5/16-18 x .62" Lg.	67	17359C	Lower Frame
26	711-1106A	Steering Drag Link	68	736-0452	Bell-Wash. .396" I.D. x 1.14" O.D.
27	783-0338	Pivot Bar Side Plate—R.H.	70	714-0149B	Internal Cotter Pin
28	783-0337	Pivot Bar Side Plate—L.H.	71	734-0484A	Hub Cap
29	710-1309	Pan Hd. Scr. 5/16-18 x .62" Lg.		734-1615A	Hub Cap (Gray—Opt.)
30	983-0061A	Steering Arm Ass'y.		734-1614A	Hub Cap (Beige—Opt.)
31	738-0777A	Deck Connecting Rod		734-1788A	Hub Cap (Yellow—Opt.)
32	738-0527	Shld. Bolt .498" Dia. x 2.45" Lg.	72	727-0425A	Spring Clip
33	731-0484A	Cap	73	712-3017	Hex Nut 3/8-16 Thd.
34	714-0121	Cotter Pin 5/32" Dia.	74	741-0587	Flange Bearing (Style A)
35	736-0316	Flat Washer	76	710-0896	Hex Wash. B-Tap Scr. 1/4 x .62" Lg.
36	741-0660	Flange Brg. .757" I.D.††	77	712-0262	Hex Jam L-Nut 3/8-24 Thd.
37	747-0753	Tie Rod (Adjustable)	78	737-0280	Grease Fitting
	747-0861	Tie Rod (Non-Adjustable)	79	734-0255	Air Valve
38	683-0128A	Pivot Bar Ass'y. (Steel)	80	710-0837	Oval Hd. Cr.-Sunk Scr. #10 x 5/8" Lg. (Style A)
39	16889A	Pivot Bar Support Brkt.—Front	81	710-0459	Hex Bolt 3/8-24 x 1.5" Lg. (Gr. 5)
40	16890A	Pivot Bar Support Brkt.—Rear	94	712-0291	Hex L-Nut 1/4-20 Thd.
41	736-0188	Fl-Wash. .76" I.D. x 1.49" O.D.	95	737-3000	Grease Fitting†
42	638-0007A	Front Axle Ass'y.—L.H.	96	726-0341	Cap
43	638-0008A	Front Axle Ass'y.—R.H.	97	731-1649	End Cap††
44	736-0267	Flat Washer			

† Used with Ref. #18.

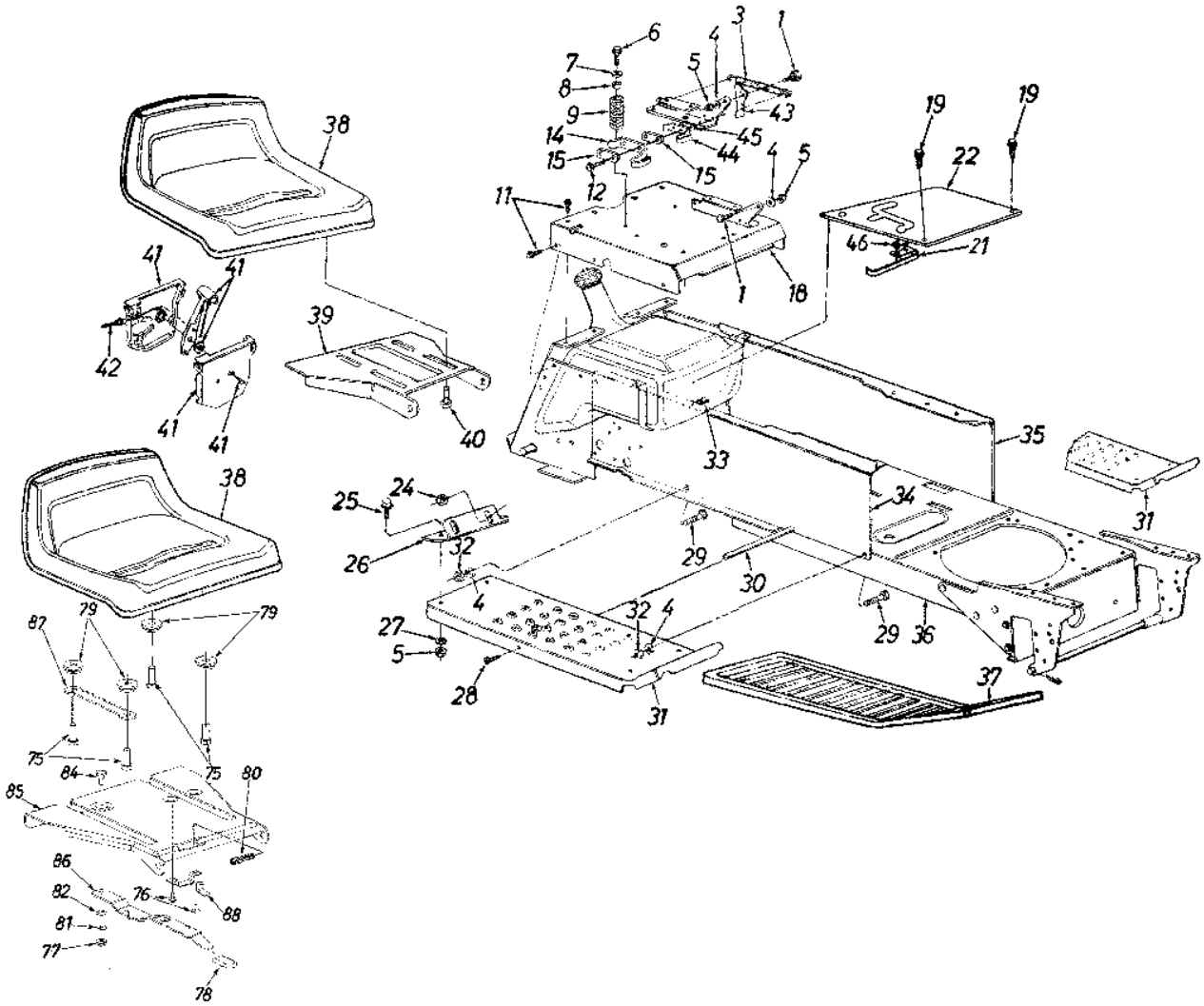
†† Used with Ref. #38.

### \*\*FRONT WHEEL CHART

DESCRIPTION	16" x 6.5"	16" x 6.5"
	ROUND SHOULDER	SQUARE SHOULDER
Wheel Ass'y. Comp.	734-1500A	634-0084
Tire Only	734-0275	734-1727
Rim Only	634-0067	634-0067
Bearing	741-0516	741-0516
Air Valve	734-0255	734-0255
Grease Fitting	737-0280	737-0280



# Models 820 thru 829; 840 thru 849



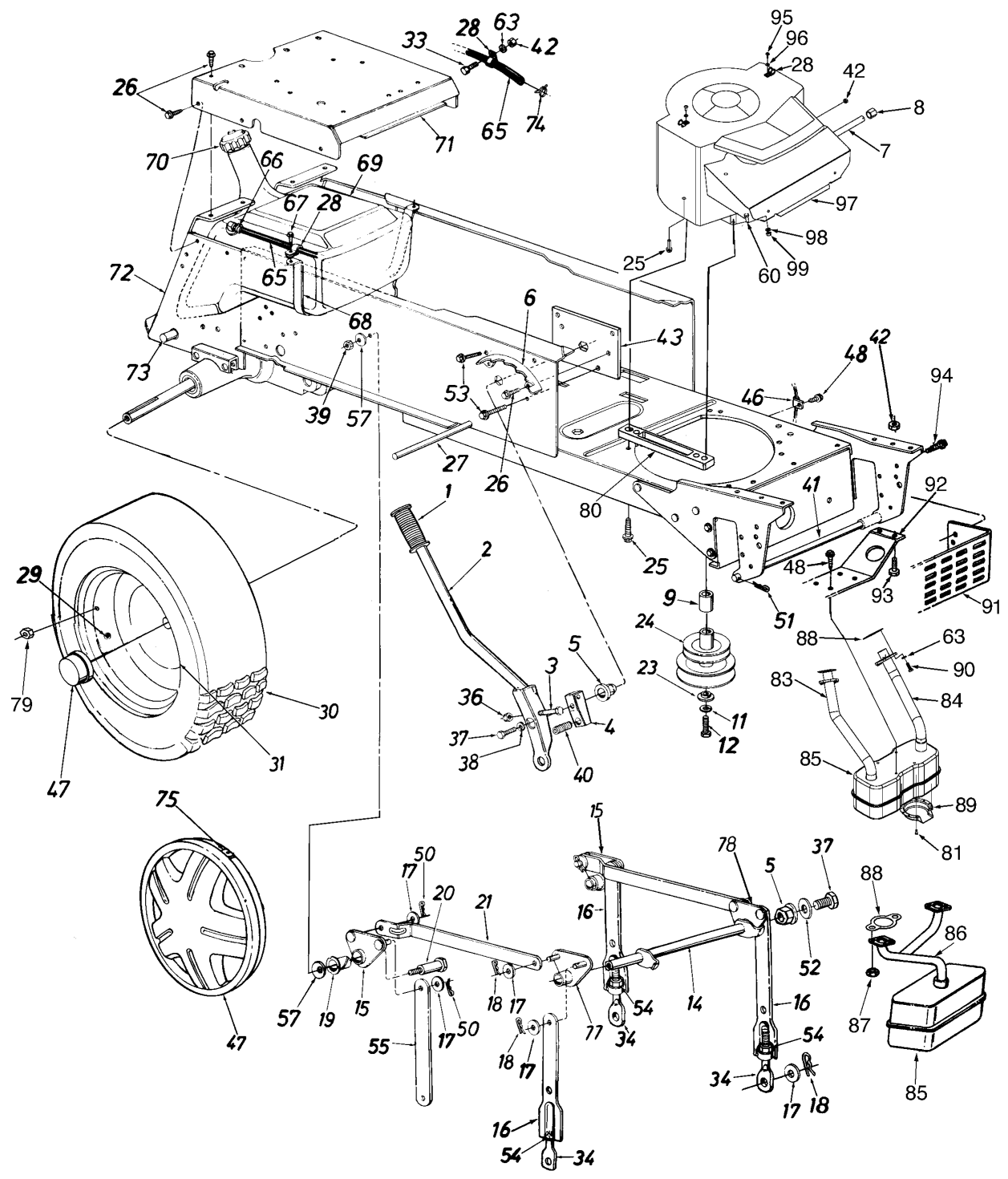


# Models 820 thru 829; 840 thru 849

REF. NO.	PART NO.	DESCRIPTION	REF. NO.	PART NO.	DESCRIPTION
1	738-0296	Shld. Bolt .437" Dia. x .162"	34	17360C	R.H. Side Frame
3	732-0581B	Ext. Spring 5.31" Lg.	35	17361D	L.H. Side Frame
4	736-0119	L-Wash. 5/16" I.D.*	36	17359C	Lower Frame
5	712-3010	Hex Nut 5/16-18 Thd. (Gr. 5)	37	731-1052	Rubber Foot Pad (Optional)
6	710-0650	Hex Wash. Hd. Tap Scr. 5/16 -18 x .7" Lg.	38	757-0363A	Seat 8-7/8" High
7	736-0159	FI-Wash. .344" I.D.		757-0360A	Seat 10-5/8" High
8	722-0160	Bushing		757-0365	Seat 10-5/8" High (Yellow)
9	732-0588	Compression Spring		757-0350	Seat 14-1/4" High
11	710-0726	Hex Wash. Hd. AB-Tap Scr. 5/16 x .75"		757-0372	Seat 14-1/4" High (Yellow)
12	710-0227	Hx Wash. Hd. AB-Tap Scr. #8 x .5" Lg.	39	783-0039A	Seat Pivot Bracket
14	725-1303	Spring Switch	40	710-0870	Hex Tap Scr. 3/8-16 x .62" Lg.
15	726-0279	Insulator Plate	41	831-0823A	Throttle Control Box Ass'y.
18	683-0108A	Seat Plate	42	746-0634	Throttle Control Wire 35" Lg.
19	710-0351	Truss Mach. B-Tap Scr.		746-0630	Throttle Control Wire 39" Lg.
20	731-0405	Snap Bushing	43	17239A	Seat Lift Bracket
21	725-1713	Reverse Safety Switch	44	725-1439	Seat Spring Switch
22	783-0348	Shift Cover (Style 0,3,5,8,9.)	45	726-0278	Insulator Boss Plate
	783-0430	Shift Cover (Style 4,6)	46	726-0320	Insulator Nut Plate
24	712-0271	Hex Sems Nut 1/4-20	75	710-0514	Hex Bolt 3/8-16 x 1" Lg. **
25	710-3008	Hex Bolt 5/16-18 x .75" Lg.	76	710-1268	Hex Washer B-Tap Scr. #10-16 x .38" **
26	15846	Fender Bracket—R.H.	77	712-3027	Hex Flanged L-Nut 1/4-20 Thd. **
	15847	Fender Bracket—L.H.	78	720-0309	Seat Adjustable Grip **
	17406	(Style 4, 6, 9)	79	731-1924	Spacer **
	17407	Fender Bracket—L.H.(Style 4, 6, 9)	80	732-0499	Compression Spring 1.5" Lg. **
27	736-0242	Bell-Wash. .345" I.D. x .88" O.D.	81	736-0175	Spring Wash. .265" I.D. x .56" O.D. **
28	710-0323	Truss Mach. Scr. 5/16-18 x .75" Lg.	82	736-0204	FI-Wash. .344" I.D. x .62" O.D. **
29	710-1012	Rib Neck Bolt 5/16-24 x .75" Lg.	84	738-0137A	Shld. Bolt .34" x 1/4 -20 Thd. **
30	738-0435	Running Board Rod	85	783-0607	Seat Pivot Bracket **
31	16922	Running Board—R.H.	86	783-0609	Seat Lever **
	16921	Running Board—L.H.	87	783-0610	Seat Selector **
32	712-0123	Hex Nut 5/16-24 Thd.	88	783-0611	Seat Stop **
33	726-0139	Speed Nut #10Z			

\*\* Optional

# Models 820 thru 829; 840 thru 849

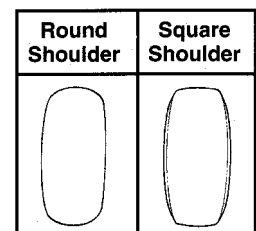


# Models 820 thru 829; 840 thru 849

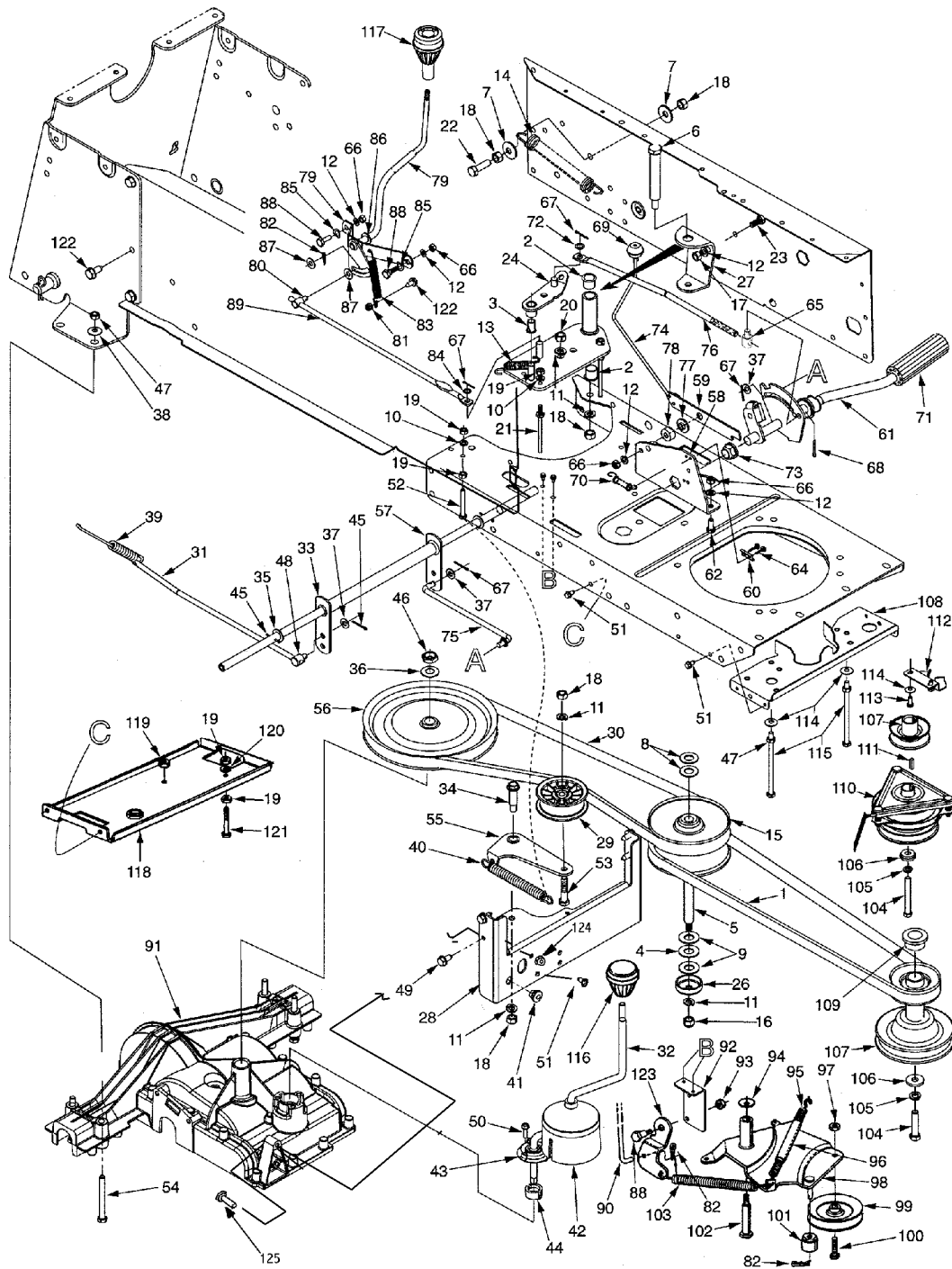
REF. NO.	PART NO.	DESCRIPTION	REF. NO.	PART NO.	DESCRIPTION
1	720-0233	Grip	48	710-0599	Hx Wash Hd. TT-Tap Scr. 1/4-20 x .5" L
2	97282	Lift Handle Ass'y.	50	714-0111	Cotter Pin .09 Dia. x 1.0" Lg.
3	710-0805	Hex Bolt 5/16-18 x 1.5" Lg.*	51	714-0149B	Int. Cotter Pin
4	748-0274A	Lift Shaft Drive	52	736-0231	Fl Wash. .34" I.D. x 1.12" O.D. x .125"
5	741-0225	Plastic Hex Brg. 5/8" I.D.	53	710-0600	Hx Wash Hd AB-Tap Scr 5/16-24 x .5" L
6	14231	Index Brkt. Deck Lift	54	712-0206	Hex Nut 1/2-13 Thd.
7	737-0164	Pipe Nipple 3/8-18 Npt.††	55	14399	Deck Link
	737-0286	Pipe Nipple 3/8-18 x 3.8" Lg.†	56	736-0264	Fl-Wash. .344" I.D.
8	737-0143	Pipe Cap 3/8-18 Npt.††	57	736-0219	Bell-Wash. .4" I.D. x 1.13" O.D.
	751-0572	Hex Soc. Pipe 1/4-18 x 7/8†	60	710-3008	Hex Bolt 5/16-18 x .75" Lg.*
9	750-0956	Spacer	63	736-0329	L-Wash. 1/4" I.D.*
11	736-0171	L-Wash. 7/16" I.D.	65	751-0535-46	Fuel Line 46" Lg.
12	710-1002	Hex Scr. 7/16-20 x 2" Lg. (Gr. 5)	66	726-0205	Hose Clamp
14	983-0101	Lift Shaft Ass'y.	67	710-0776A	Hex AB-Tap Scr. 1/4 x .62" Lg.
15	13895	Lift Pivot Brkt. Ass'y.	68	17424	Fuel Tank Strap
16	17303	Adj. Deck Lift Link	69	751-0566	Gas Tank
17	736-0192	Fl-Wash. 1/2" I.D. x 1.00" O.D. x .090"	70	751-0531B	Gas Gauge
18	714-0101	Hairpin Cotter	71	683-0108A	Seat Plate
19	741-0295	Nyliner 5/8" I.D. x .88" Lg.	72	783-0419	Hitch Plate
20	738-0445	Shld. Bolt 5/8" Dia. x .96" Lg. 3/8-16	73	738-0482	Hitch Rod
21	13790	Connecting Link	74	726-0272	Hose Clamp
23	736-0322	Flat Wash. .44" I.D. x 1.25" O.D. x .17"	75	727-0425A	Spring Clip (Optional)
24	756-0989	Engine Pulley	77	683-0098	Pivot Brkt. Ass'y.—R.H.
25	710-0502A	Hx Wash Hd. Scr. 3/8-16 x 1.25" Lg.††	78	683-0097	Pivot Brkt. Ass'y.—L.H.
	710-1007	Hex TT-Tap Scr. 3/8-16 x 1.5" Lg.†	79	712-3050	Lug Nut 7/16-14 Thd.
26	710-0726	Hex Thd. Rolling Scr. 5/16-18 x .75" Lg.	80	783-0279	Engine Mounting Spacer†
27	738-0435	Running Board Rod	81	710-0148	Hex Hd. F-Tap Scr. #8-32 x .38" Lg.††
28	726-0272	Clamp	82	710-0604	Hex TT-Tap Scr 5/16-18 x .62" Lg.
29	734-0255	Air Valve	83	751-0624	Exhaust Tube—R.H.††
30	**	Rear Wheel Ass'y. Comp.	84	751-0623	Exhaust Tube—L.H.††
	**	Tire Only	85	751-0616	Muffler††
31	**	Rear Wheel Rim Only		751-0617	Muffler†
32	736-0345	Flat Washer	86	751-0608	Exhaust Pipe†
33	710-0751	Hex Bolt 1/4-20 x .62" Lg.	87	712-3086	Flange Nut M8 x 1.25 Thd.†
34	711-0817	Eye Bolt Adj. Link 1/2-13 Thd.	88	721-0346	Exhaust Gasket††
36	712-0158	Hex Cent. L-Nut 5/16-18 Thd.		721-0377	Exhaust Gasket†
37	710-0237	Hex Bolt 5/16-24 x .62" Lg.*	89	751-0564	Muffler Deflector††
38	736-0119	L-Wash. 5/16" I.D.*	90	710-3015	Hex Bolt 1/4-20 x .75" Lg.††
39	712-0181	Hex Top L-Nut 3/8-16 Thd.	91	783-0023A	Heat Shield
40	732-0369	Compression Spring	92	17958	Muffler Mounting Brkt.
41	738-0777A	Deck Connecting Rod	93	710-0751	Hex Bolt 1/4-20 x .62" Lg.
42	712-0271	Hex Sems Nut 1/4-20 Thd.*	94	710-0604	Hex TT-Tap Scr. 5/16-18 x .62" Lg.
43	14170	Index Brkt. Reinforcement Plate	95	710-0351	Truss Mach. B-Tap Scr. #10 x .5" Lg.††
46	726-0273	Mounting Clamp	96	736-3067	Fl-Wash. .188" I.D. x .438" O.D.
47	731-0556	Hub Cap	97	783-0452	Front Heat Shield††
	734-1617A	Spoked Hub Cap (Gray—Opt.)	98	736-0119	L-Wash. 5/16" I.D.*††
	734-1616A	Spoked Hub Cap (Beige—Opt.)	99	712-3010	Hex Nut 5/16-18 Thd. (Gr. 5)††
	734-1789A	Spoked Hub Cap (Yellow—Opt.)	—	17304	Front Deck-link Lift Ass'y (Incl. Ref. 16, 34 & 54)

† Used on Kohler Engine Only.  
 †† Used on Briggs and Stratton Engines Only.

** REAR WHEEL CHART		
Description	23" x 9.5" Round Shoulder	23" x 9.5" Square Shoulder
Wheel Ass'y Comp.	634-0203	634-0132
Tire Only	734-0322	734-1728
Rim Only	634-0194	634-3178
Air Valve	734-0255	734-0255



# Models 820 thru 829; 840 thru 849



# Models 820 thru 829; 840 thru 849

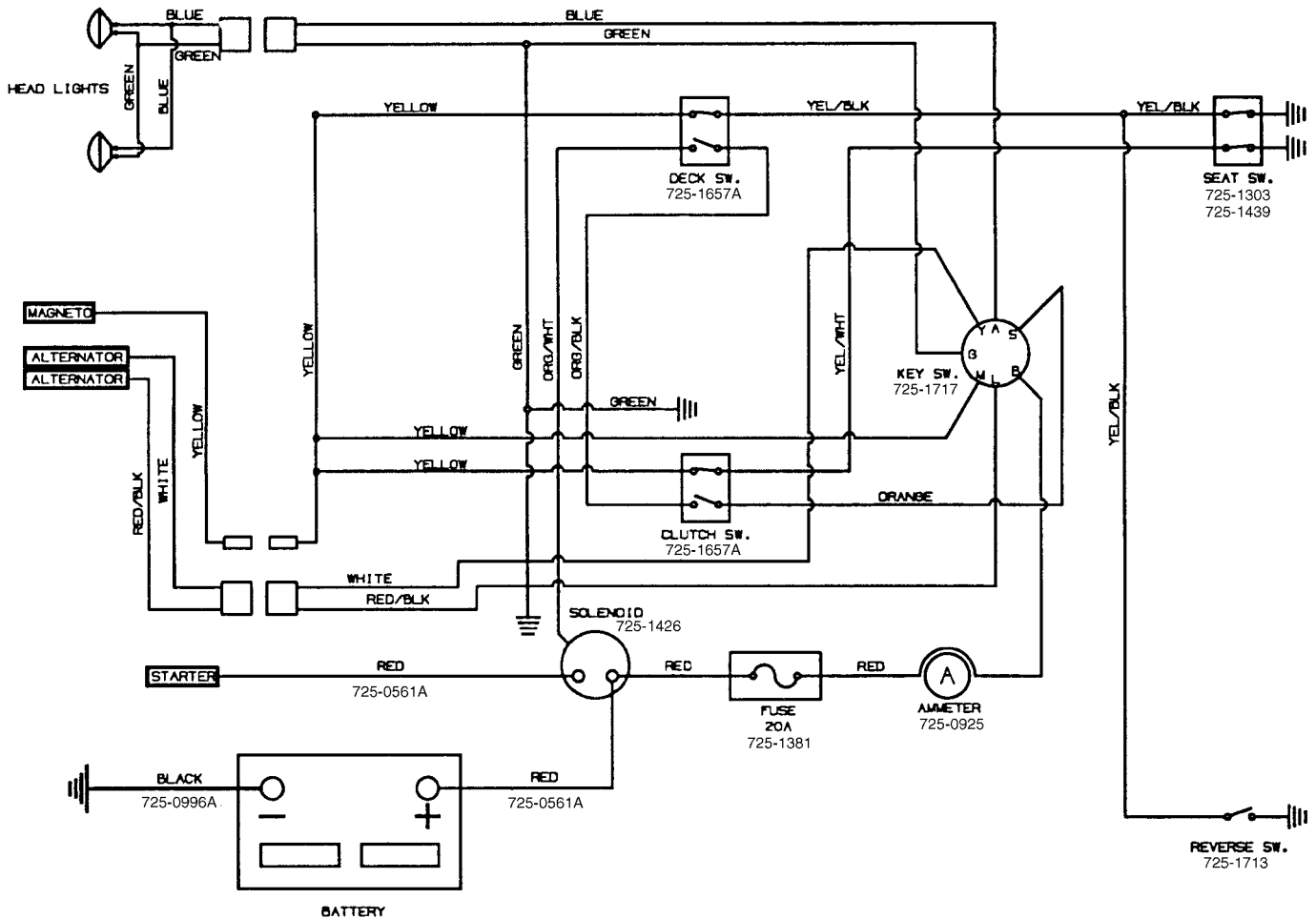
REF. NO.	PART NO.	DESCRIPTION	REF. NO.	PART NO.	DESCRIPTION
1	754-0280	"V"-Belt	56	656-0004	Trans. Pulley
2	741-0495	Flange Brg.	57	650-0006	Cross Brkt. Tube Ass'y.
3	741-0419	Flange Nylon Brg.	58	16924A	Clutch Ass'y. Mtg. Bracket
4	741-0405	Thrust Brg.	59	16980A	Brake Lockout Brkt.
5	738-0956	Shaft	60	17962	Switch Plate
6	738-0779	Shld. Bolt 3/8-24 Thd.	61	647-0021	Pedal Ass'y.
7	736-0452	Bell-Wash. .396" I.D. x 1.14" O.D.	62	710-3008	Hex Bolt 5/16-18 x .75" Lg.*
8	736-0414	FI-Wash. .56" I.D. x 1.12" O.D.	63	710-0528	Hx Bolt 5/16-18 x 1.25" Lg. (Gr. 5)
9	736-0355	FI-Wash. .5" I.D. x 1" O.D.	64	710-0589	Hex Hd. Tap Scr. #10-16 x .75" Lg.
10	736-0329	L-Wash. 1/4" I.D.*	65	711-0832	Ferrule
11	736-0169	L-Wash. 3/8" I.D.*	66	712-3010	Hex Nut 5/16-18 Thd.
12	736-0119	L-Wash. 5/16" I.D.*	67	714-0111	Cotter Pin 1" Lg.
13	732-0568	Ext. Spring 2.54" Lg.	68	714-0115	Cotter Pin 1/8" Dia. x 1" Lg.
14	732-0459	Ext. Spring 6.96" Lg.	69	720-0166	Ball Knob
15	717-0800A	Variable Speed Pulley	70	732-0395	Ext. Spring 2.51" Lg.
16	712-3061	Hex L-Nut 3/8-24 Thd.	71	735-0196	Foot Pad
17	712-3057	Hex Nut 5/16-24 Thd. (Gr. 5)	72	736-0117	FI-Wash. 3/8" I.D. x .62" O.D.
18	712-3017	Hex Nut 3/8-16 Thd. (Gr. 5)	73	741-0225	Hex Flange Bearing
19	712-3006	Hex Nut 1/4-20 Thd. (Gr. 5)	74	747-0644	Pedal Lock Rod
20	712-0241	Hex Nut 3/8-24 Thd.	75	747-0724A	Brake Link Rod
21	711-1000	Belt Keeper	76	747-0726	Speed Control Link
22	710-3005	Hex Bolt 3/8-16 x 1.25" Lg.	77	748-0234	Shld. Spacer
23	710-0157	Hex Bolt 5/16-24 x .75" Lg. (Gr. 5)	78	750-0214	Spacer .34" I.D. x .87" O.D.
24	683-0115	Variable Speed Torque Brkt. Ass'y.	79	647-0011	Speed Selector Lever Ass'y.
25	683-0114	Variable Speed Brkt.	80	711-0723A	Ferrule
26	17485	Retainer Cup	81	712-0429	Hex L-Nut 5/16-18 Thd.
27	17180	Support Brkt.	82	714-0104	Hairpin Clip
28	783-0402A	Trans. Torque Brkt.	83	732-0429A	Ext. Spring 3.97" Lg.
29	756-0981	Flat Idler	84	736-0117	FI-Wash. 3/8" I.D. x .62" O.D.
30	754-0446	"V"-Belt	85	736-0141	Spr. Wash. 7/16" I.D.
31	747-0640	Brake Rod	86	736-0192	FI-Wash. .531" I.D. x .93" O.D.
32	747-0639A	Shift Lever	87	736-0267	FI-Wash. 3/8" I.D. x .87" O.D.
33	741-0491	Flange Nylon Brg.	88	738-0296	Shld. Bolt .437" x .286"
34	738-0967	Shld. Bolt 3/8-16 Thd.	89	747-0729	Speed Control Link Rod
35	736-3068	FI-Wash. .5" I.D. x .875" O.D.	90	747-0750A	Deck Control Rod
36	736-0427	Bell-Wash. .567" I.D. x 1.125" O.D.	91	618-0312	Transmission Complete
37	736-0275	FI-Wash. 5/16" I.D.	92	13833A	Parking Brake Mtg. Brkt.
38	736-0242	Bell-Wash. .345" I.D. x .88" O.D.	93	712-0158	Hex L-Nut 5/16-18 Thd.
39	732-0642	Ext. Spring 7.3" Lg.	94	736-0105	Bell-Wash. .38" I.D. x .88" O.D.
40	732-0384	Ext. Spring 6.12" Lg.	95	732-0308	Extension Spring 6.37" Lg.
41	741-0475	Plastic Bushing	96	731-0483	Conduit 4" Lg.
42	721-0450	Boot Shifter	97	712-0214	Hex Cent. L-Nut 3/8-24 Thd.
43	718-0272	Shifter Snout	98	14076A	Idler Brkt. Deck Ass'y.
44	718-0271	Shifter Insert	99	756-0293A	"V"-Belt Idler
45	714-0111	Cotter Pin 1" Lg.	100	710-0459	Hex Bolt 3/8-24 x 1.5" Lg.
46	712-3035	Hex Jam Nut 9/16-18 Thd.	101	748-0278	Spacer
47	712-3010	Hex Nut 5/16-18 Thd. (Gr. 5)	102	738-0129	Shld. Bolt .498" Dia. x 2.05"
48	711-1155	Ferrule	103	732-0478	Extension Spring 6.12" Lg.
49	710-0726	Hex Wash. AB-Tap Scr. 5/16-18 Thd.	104	710-1002	Hex Bolt 7/16-20 x 2.75" Lg.
50	710-0642	Hex Wash. TT-Tap Scr. 1/4-20 x .75" Lg.		710-1049	Hex Bolt 7/16-20 x 3.75" Lg.†
51	710-0599	Hex Wash. Hd. TT-Tap Scr. 1/4-20 x .5" Lg.	105	736-0171	L-Wash. 7/16" I.D.*
52	710-0501	Hex Bolt 1/4-20 x 2" Lg. (Gr. 5)	106	736-0322	FI-Wash. .44" I.D. x 1.25" Lg.
53	710-0347	Hex Bolt 3/8-16 x 1.75" Lg. (Gr. 5)	107	756-0989	Engine Pulley
54	710-0189	Hex Bolt 5/16-18 x 3" Lg. (Gr. 5)		756-0990	Engine Pulley†
55	683-0154	Idler Brkt. Ass'y.	108	17358D	Belt Guard

# Models 820 thru 829; 840 thru 849

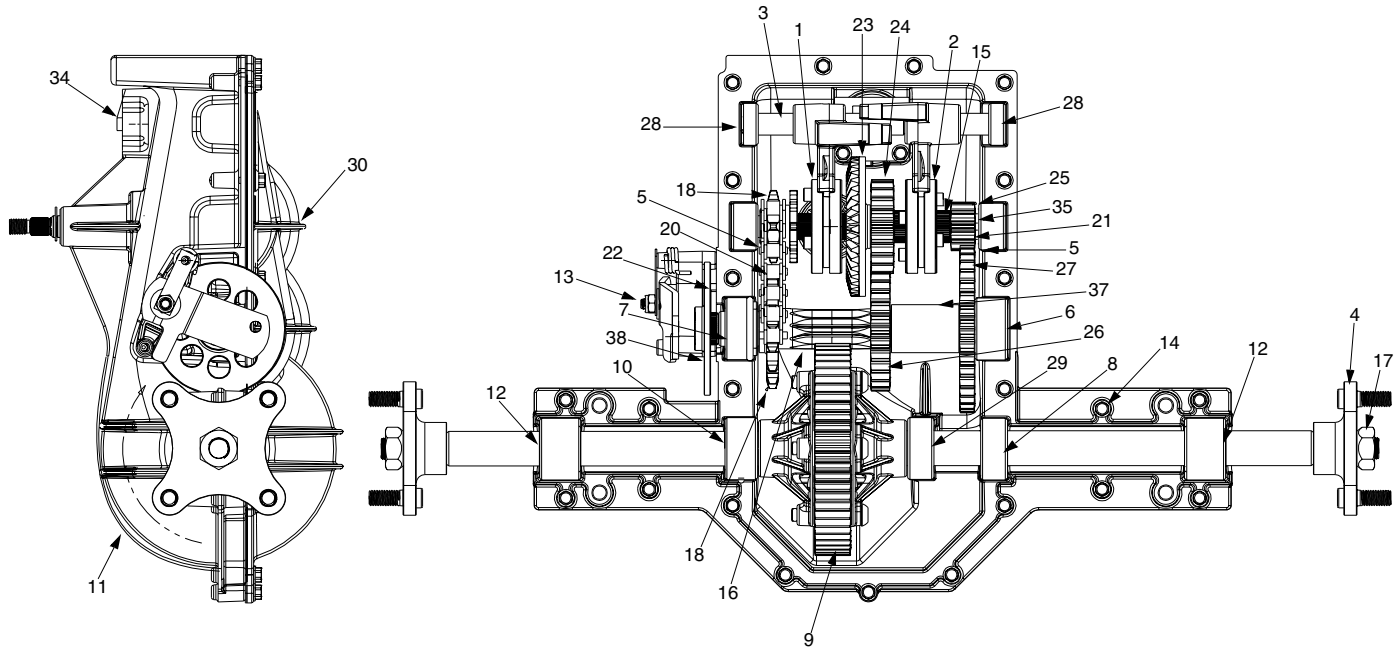
REF. NO.	PART NO.	DESCRIPTION	REF. NO.	PART NO.	DESCRIPTION
109	750-0956	Spacer	118	16888A	Deck Idler Support Brkt.
110	717-1434	Electric PTO†	119	712-0375	Hex Cent. L-Nut 3/8-16 Thd.
111	714-0128	Sq. Key 1/4" x 1" Lg.†	120	736-0329	L-Wash. 1/4" I.D.
112	17418	Torque Bracket†	121	710-0501	Hex Bolt 1/4-20 x 2" Lg.
113	710-3008	Hex Bolt 5/16-18 x .75" Lg.†	122	710-0726	Hex AB-Tap Scr. 5/16 x .75" Lg.
114	736-0242	Bell-Wash. .345" I.D. x .88" O.D.	123	13887A	Deck Control Pivot Brkt.
115	710-0833	Hex Bolt 5/16-18 x 5.25" Lg.	124	712-3004A	Hex L-Nut 5/16-18 Thd.
116	720-0232	Knob	125	710-3083	Hex Bolt 5/16-18 x 1.375" Lg.
117	720-0218	Shift Knob	126	736-0355	FI-Wash. .58" I.D. x 1" O.D.

† Models with Electric PTO Only

# Models 820 thru 829; 840 thru 849 Electrical Schematic



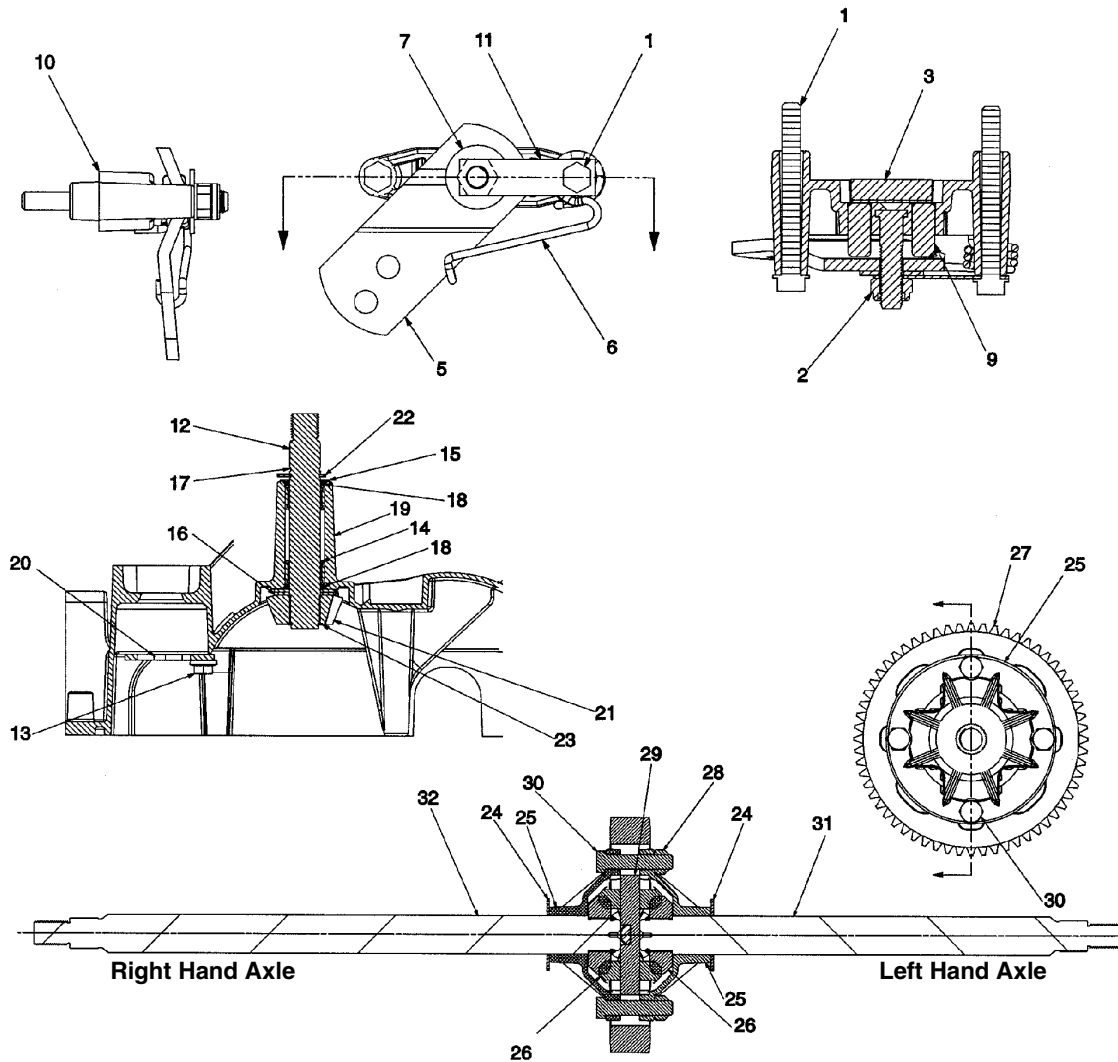
# Models 820 thru 829; 840 thru 849



**TRANSMISSION COMPLETE 618-0301A**

REF. NO.	PART NO.	DESCRIPTION	REF. NO.	PART NO.	DESCRIPTION
1	618-0225	Collar Ass'y.—Reverse	20	713-0448	Chain Endless
2	618-0226	Collar Ass'y.—Hi-Lo	21	716-0131	Ext. Snap Ring
3	618-0227A	Shift Fork Ass'y.	22	717-0678	Brake Pad
4	618-0365	Wheel Hub Ass'y.	23	717-1438	Bevel Gear 41T
5	618-0284	Drive Shaft Blk. Ass'y.	24	717-1439	Spur Gear 20T
6	618-0285	Output Brg. Blk. Ass'y.	25	717-1440	Spur Gear 10T
7	618-0286	Output Brg. Blk. Ass'y. Seal	26	717-1441	Spur Gear 27T
8	618-0287	Inboard Axle Blk. Ass'y.	27	717-1442	Spur Gear 37T
9	618-0368	Differential Axle Ass'y.	28	718-0537	Shifter Brg. Blk.
10	618-0302	Inboard Axle Blk. Ass'y.	29	718-0500	Inner Axle Blk. Brg.
11	619-0034	Upper Housing Ass'y.	30	719-0385	Lower Housing
12	641-0002A	Axle Brg. Blk. Ass'y.	31	721-0468	Main Gasket
13	661-0012	Bracket Ass'y. —R.H.	32	721-0469	Axle Gasket —L.H.
14	710-0788	Hex Wash. TT-Tap Scr. 1/4-20 x 1" Lg.	33	721-0470	Axle Gasket —R.H.
15	711-1051A	Drive Shaft	34	731-1898	Shipping Plug
16	711-1216	Output Shaft —R.H.	35	736-0337	Fl-Wash. 5/8" I.D. x 1" O.D.
17	712-1329	Hex Nut 3/4-16	37	750-1033A	Spacer 1.13" I.D. x 1.38" O.D.
18	713-0446	Sprocket 9T	38	761-0215	Disc Brake
19	713-0447	Sprocket 16T	39	777X4001	Model I.D. Label (Not Shown)

# Models 820 thru 829; 840 thru 849

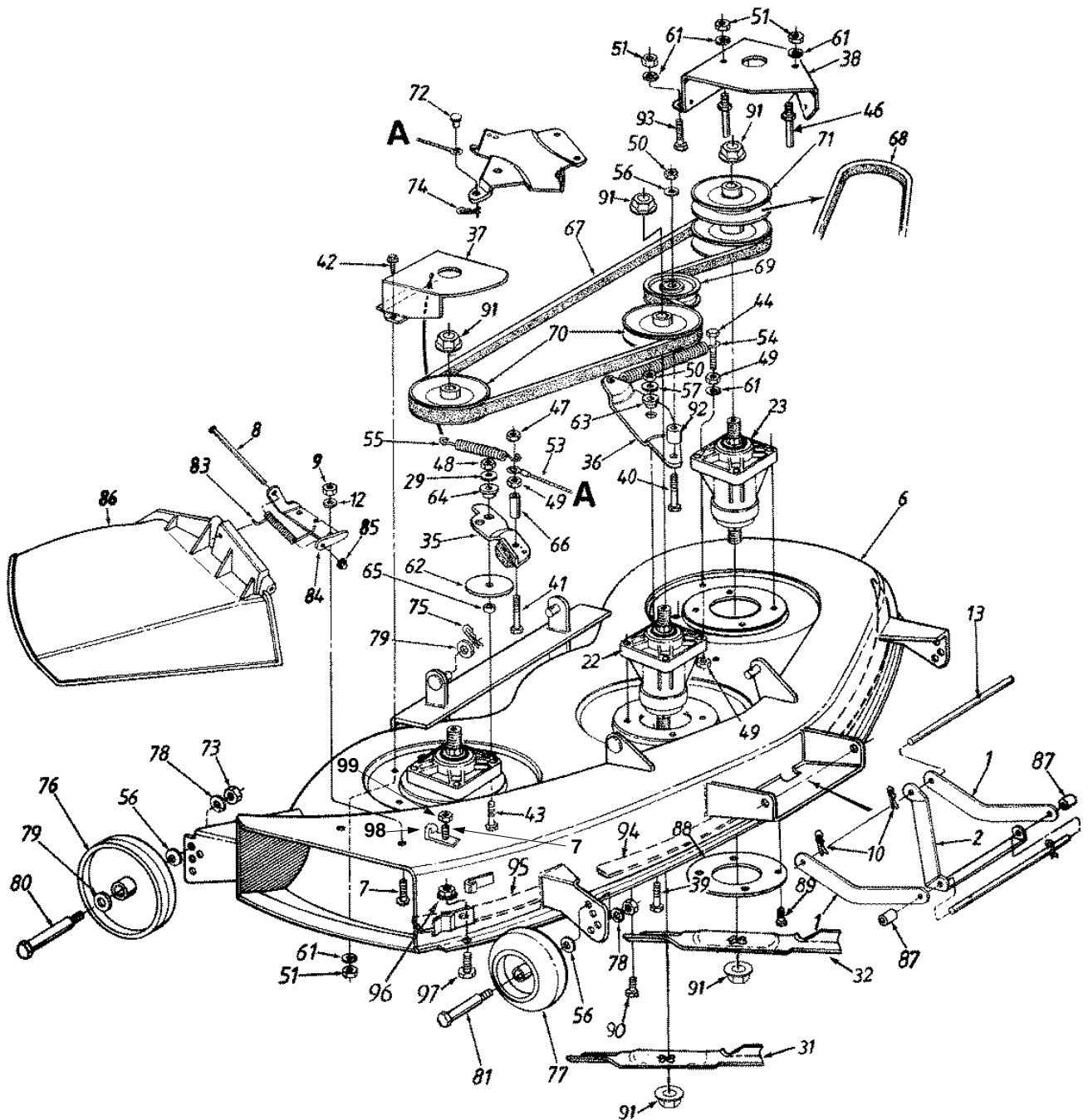


REF. NO.	PART NO.	DESCRIPTION	REF. NO.	PART NO.	DESCRIPTION
1	710-1206	Hex Wash. Hd. Scr. 1/4-20 x 2.37	18	721-0213	Seal
2	712-0273	Nylon L-Nut 5/16-24 Thd.	19	719-0337	Upper Housing
3	717-0678	Brake Puck	20	718-0300	Lockout Plate
4	717-0682	Puck Plate	21	717-1463	Bevel Gear
5	717-0772A	Brake Arm	22	716-0231	Retainer Ring
6	732-0925	Torsion Spring	23	716-0114	Retainer Ring
7	736-0371	FI-Wash. .343" I.D. x .88" O.D.	24	736-3046A	FI-Wash. 1" I.D. x 1.8" O.D.
9	741-0343	Brake Pin	25	719-0340	Differential Housing
10	761-0207A	Brake Yoke	26	717-1446	10T Miter Gear
11	761-0208	Brake Anti Rotation Brkt.	27	717-1443	Spur Gear 60T
12	711-1235	Input Shaft	28	712-3054	Hex L-Nut 3/8-24 Thd.
13	710-0788	Hex Washer AB-Tap Scr.1/4-14 x 1"	29	711-1052A	Cross Shaft
14	741-0335	Needle Brg. .625" I.D.	30	710-1642	Hex Bolt 3/8-24 x 2" Lg.(Gr. 5)
15	736-0336	FI-Wash. 5/8" I.D. x 1" O.D.	31	611-0052A	Axle Ass'y.—L.H.
16	736-0335	Thrust Wash. .635" I.D. x 1.25" O.D.	32	611-0051A	Axle Ass'y.—R.H.
17	732-0614	Wire Ring			



# Models 820 thru 829; 840 thru 849

## Deck "H"



# Models 820 thru 829; 840 thru 849

## Deck "H"

REF. NO.	PART NO.	DESCRIPTION	REF. NO.	PART NO.	DESCRIPTION
1	17347	Deck Stabilizer	63	738-0347	Shld. Spacer .625" I.D.
2	17264	Diagonal Brace	64	748-0234	Shld. Spacer †
6	683-0052	46" Deck Ass'y. Comp.	65	750-0214	Spacer .34" I.D.
7	710-0751	Hex Bolt 1/4-20 x .62" Lg.	66	750-0434	Spacer .326" I.D. †
8	711-0792	Hinge Pin	67	754-0349	V-Belt
9	712-3006	Hex Nut 1/4-20 Thd. (Gr. 5)	68	754-0350	V-Belt
10	714-0149B	Hairpin Clip	69	756-0627	FI-Idler Pulley 3.5" O.D.
12	736-0270	Bell-Wash. 1/4" I.D.	70	756-0969	Pulley 5.0" Dia.
13	738-0392	Deck Connecting Rod	71	756-0977	Double Pulley 5.0" Dia.
22	618-0240	Spindle Ass'y. (R.H. & Center)	72	711-0701	Clevis Pin 1/4" Dia. x .53" Lg.
23	618-0241	Spindle Ass'y. (L.H.) †	73	712-0798	Hex Nut 3/8-16 Thd.
29	736-0119	Lock Wash. 5/16" I.D.*	74	714-0104	Intern. Cotter Pin 5/16" Dia.
31	742-0645	Blade 14.88" Lg. (Middle)	75	714-0145	Intern. Cotter Pin 3/8 Dia.
32	742-0644	Blade 16.28" Lg. (R.H. & L.H.)	76	734-0973	Deck Wheel 5" Dia.
35	17116	Deck Brake Brkt. Ass'y. †	77	734-3058B	Deck Wheel w/Insert 5" Dia.
36	17213	Idler Bracket	78	736-0169	L-Wash. 3/8" I.D.*
37	17258A	Belt Cover Brkt.—R.H.	79	736-0192	FI-Wash. .531" I.D.
38	783-0066A	Belt Cover—L.H.	80	738-0533	Shoulder Bolt .498" Dia. x 1.64" Lg.
39	710-1039	Hex Bolt 3/8-24 x 1.0" Lg.	81	738-3056	Shoulder Bolt
40	710-0151	Hex Bolt 3/8-24 x 2" Lg.	83	732-0602	Torsion Spring
41	710-0501	Hex Bolt 1/4-28 x 1.75" Lg. †	84	703-1693	Hinge Mtg. Brkt.
42	710-0599	Hex Wash. Hd. Tap-Scr. 1/4-20 x .5" Lg. †	85	726-0106	Push Nut
43	710-0624	Hex Bolt 5/16-24 x 1.5" Lg. (Grade 5) †	86	731-1032	Chute Ass'y. Comp. (Incl. Ref. 8, 83, 84, 85, 86)
44	710-0698	Hex Bolt 1/4-28 x 1.5" Lg.	87	750-0932A	Spacer 5/8" I.D. x 7/8" O.D.
46	711-0993	Belt Guard Pin 1/4" Dia.	88	17982	Spindle Reinforcement Plate
47	712-0117	Hex Cent. L-Nut 1/4-28 Thd. †	89	710-0650	Hex Wash. Hd. Scr. 5/16-18 x1" Lg.
48	712-0123	Hex Nut 5/16-24 Thd.	90	710-1260	Hex Wash. Hd. Scr. 5/16-18 x .75" Lg.
49	712-0138	Hex Nut 1/4-28 Thd.	91	712-0417A	Hex Flange Nut 5/8-18 Thd.
50	712-0241	Hex Nut 3/8-24 Thd.	92	711-0242	Spacer .38" I.D.
51	712-3006	Hex Nut 1/4-20 Thd. (Gr. 5)	93	710-3013	Hex Bolt 1/4-20 x .5" Lg.
53	727-0426	Brake Cable Ass'y. †	94	783-0141	Skirt—Center
54	732-0594A	Extension Spring 6.17" Lg.	95	783-0142	Skirt—Right Hand
55	732-0429A	Extension Spring 3.97" Lg. †	96	712-0271	Hex Sems Nut 1/4-20 Thd.
56	736-0105	Bell-Wash. .38" I.D. x .88" O.D.	97	710-0167	Carriage Bolt 1/4-20 x .5" Lg.
57	736-0331	Bell-Wash. .39" I.D. x 1.13" O.D.	98	16606	Retainer Hook Bracket
61	736-0329	L-Wash. 1/4" I.D.*	99	712-3027	Hex Lock Nut 1/4-20
62	736-0416	FI-Wash. 5/16" I.D. x 3" O.D. †			

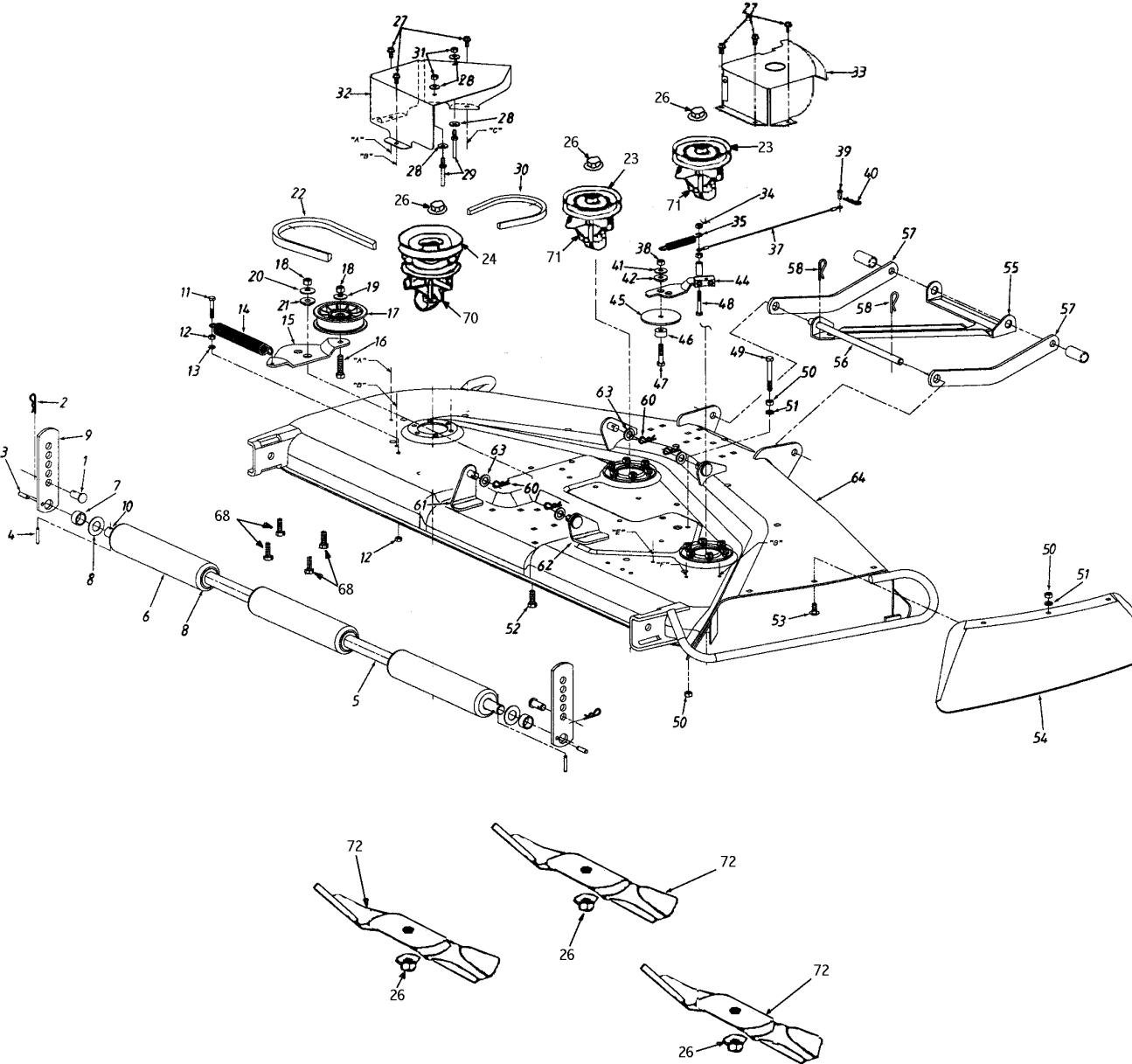
† Not used on units with Electric P.T.O.

**IMPORTANT:** For a proper working machine, use Factory Approved Parts.

**V-BELTS** are specially designed to engage and disengage safely. A substitute (non OEM) V-belt can be dangerous by not disengaging completely.

# Models 820 thru 829; 840 thru 849

## Deck "P"



# Models 820 thru 829; 840 thru 849

## Deck "P"

REF. NO.	PART NO.	DESCRIPTION	REF. NO.	PART NO.	DESCRIPTION
1	711-0310	Clevis Pin	35	732-0429A	Ext. Spring 3.97" Lg. †
2	714-0101	Hairpin Clip	36	712-0138	Hex Nut 1/4-28 Thd.
3	715-0108	Spring Pin 1/4" x 1" Lg.	37	727-0295	Brake Cable †
4	715-0246	Spring Pin 3/16" x 1-1/4" Lg.	38	712-0123	Hex Nut 5/16-24 Thd. †
5	750-0288	Spacer .82" I.D.	39	711-0701	Clevis Pin †
6	731-0335	Deck Roller	40	714-0104	Hairpin Clip †
7	750-0212	Spacer .75" I.D.	41	736-0425	Bell-Wash. .325" I.D. †
8	736-0188	Fl-Wash. .76" I.D. x 1.5" O.D.	42	748-0234	Shld. Spacer †
9	12650	Height Adjuster	43	750-0470	Spacer .96" Lg.
10	738-0295	Roller Shaft	44	17116	Brake Ass'y. †
11	710-0698	Hex Bolt 1/4-28 x 1.5" Lg. (Gr. 5)	45	736-0416	Fl-Wash. 5/16" I.D. x .3" O.D. †
12	712-0138	Hex Nut 1/4-28 Thd.	46	750-0214	Spacer .44" Lg. †
13	736-0329	L-Wash. 1/4" I.D.	47	710-0624	Hex Bolt 5/16-24 x 1.5" Lg.(Gr. 5) †
14	732-0594A	Ext. Spring 7.33" Lg.	48	710-0559	Hx Bolt 1/4-28 x 1.75" Lg. (Gr. 5) †
15	783-0139	Idler Brkt.	49	710-0378	Hex Bolt 5/16-18 x 2.5" Lg.
16	710-0459	Hex Bolt 3/8-24 x 1.5" Lg.	50	712-0267	Hex Nut 5/16-18 Thd.*
17	756-0627	Idler Pulley	51	736-0119	L-Wash. 5/16" I.D.*
18	712-0241	Hex Nut 3/8-24 Thd.	52	710-1039	Hex Bolt 3/8-24 x 1" Lg.
19	736-0105	Bell-Wash. 3/8" I.D.	53	710-0451	Carr. Bolt 5/16-18 x .75" Lg.
20	736-0331	Bell-Wash. .39" I.D. x 1.13" O.D.	54	12649	Chute Guard
21	738-0347	Shld. Spacer .625" I.D.	55	17264	Diagonal Brace
22	754-0291A	Lower "V"-Belt	56	738-0392	Connecting Rod
23	756-0969	Deck Pulley	57	17347	Stabilizer Link
24	756-1041	Double Deck Pulley	58	714-0149B	Hairpin Clip
26	712-0417A	Hex Flange Nut 5/8-18 Thd.	59	750-0932A	Spacer 1.75" Lg.
27	710-0599	Hex Wash. Hd. Scr. 1/4-20 x .5"Lg.	60	714-0145	Hairpin Clip
28	736-0270	Bell-Wash. 1/4" I.D.	63	736-0192	Fl-Wash. 1/2" I.D. x .93" O.D.
29	711-0747	Belt Guard Pin	64	683-0177	Deck Ass'y.
30	754-0364	Upper "V"-Belt	68	710-1260	Hex Wash. Hd. Tap Scr.
31	712-0287	Hex Nut 1/4-20 Thd.	70	618-0269	Spindle Ass'y. (L.H.)
32	783-0131	Belt Guard—L.H.	71	618-0268	Spindle Ass'y. (R.H. & Center)
33	783-0130	Belt Guard—R.H.	72	742-0623	Blade
34	712-0117	Hex L-Nut 1/4-28 Thd. †			

† Not used on units with Electric P.T.O.

**IMPORTANT:** For a proper working machine, use Factory Approved Parts.

**V-BELTS** are specially designed to engage and disengage safely. A substitute (non OEM) V-belt can be dangerous by not disengaging completely.