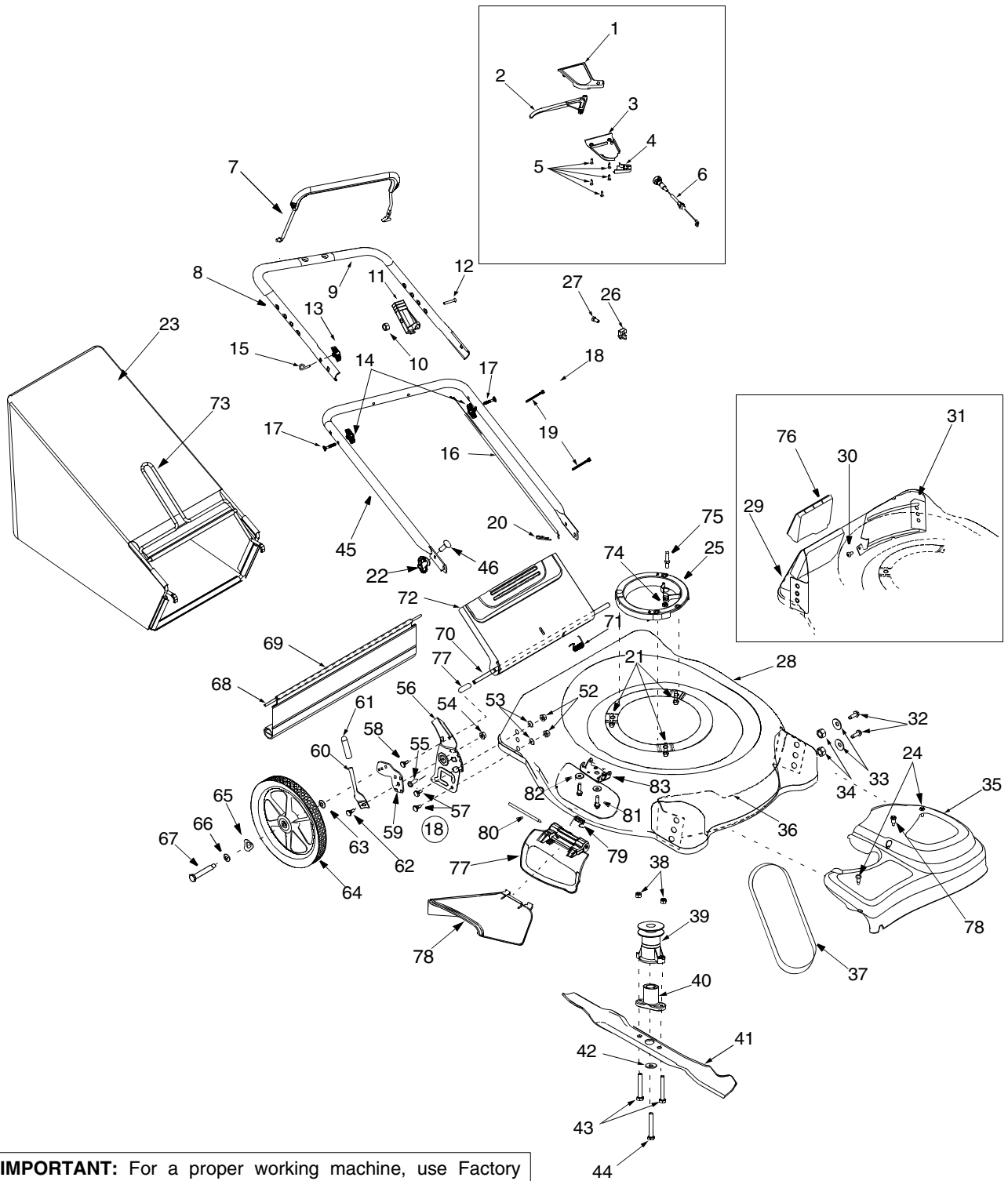


Model 560 Series

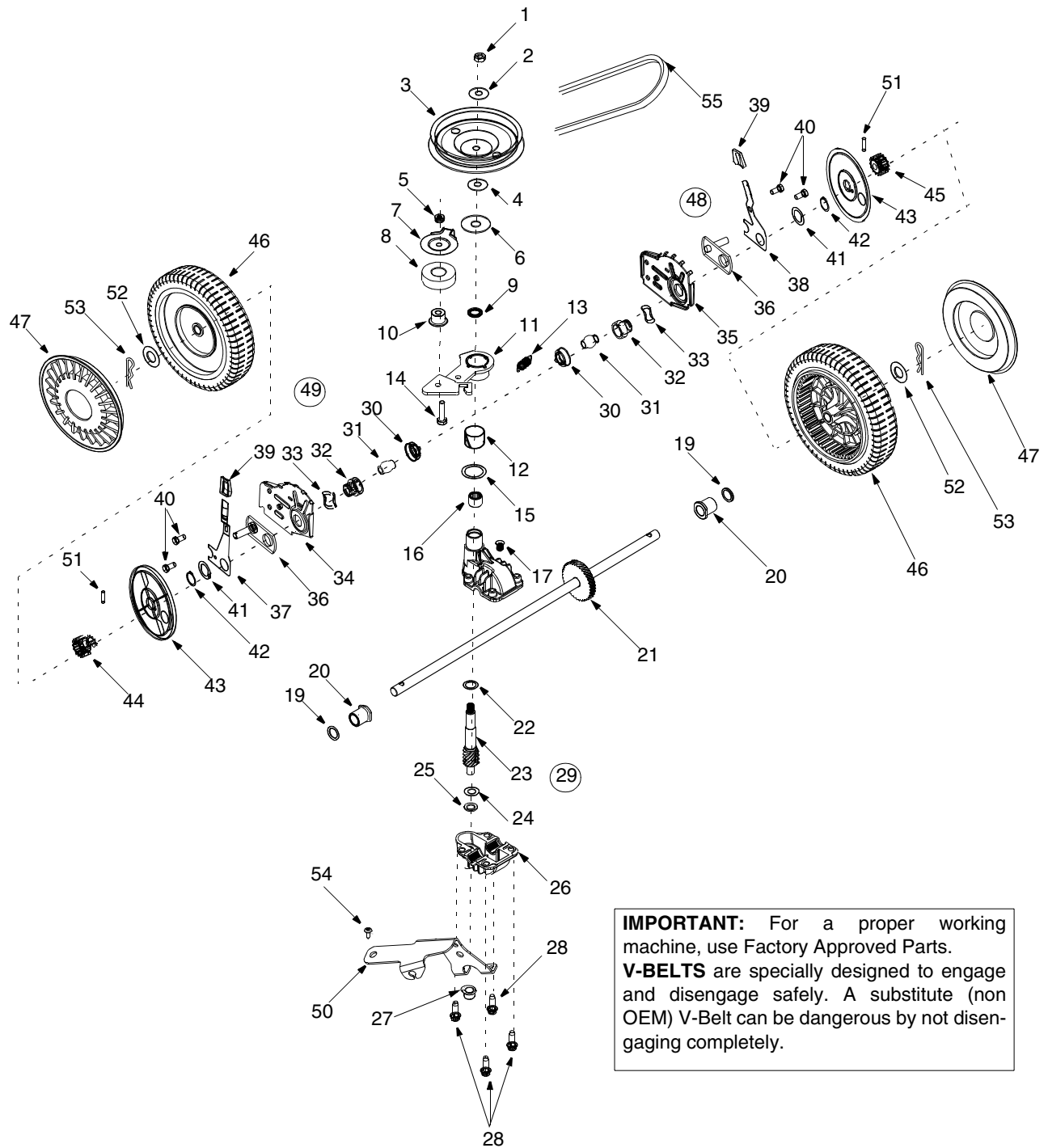


IMPORTANT: For a proper working machine, use Factory Approved Parts.
V-BELTS are specially designed to engage and disengage safely. A substitute (non OEM) V-Belt can be dangerous by not disengaging completely.

Model 560 Series

Ref. No	Part No.	Description	Ref. No	Part No.	Description
1.	731-1057	Upper Drive Cover	41.	742-0741	21" Mulching Blade
2.	731-0620	Drive Lever	42.	736-0452	Flat Washer .516 x 1.5 x .134
3.	731-1058	Lower Drive Cover	43.	710-0606	Hex Screw 1/4-20 x 1.50
4.	731-1059	Mounting Cap	44.	710-1257	Hex Screw 3/8-24 x 2.50
5.	710-1667A	Screw # 10-16 x .75	45.	749-0907B	Lower Handle
6.	746-0960	Drive Cable	46.	710-0703	Carriage Bolt, 1/4-20 x .75"
7.	747-0824	Control Lever	52.	712-0130	Hex Lock Nut
8.	749-0439D	Upper Handle (Incl. Ref. No. 9)	53.	736-0356	Bell Washer .39 I.D. x 1.38 O.D.
9.	720-0294	Foam Grip, 9"	54.	712-3005	Hex Flange Lock Nut 3/8-16
10.	712-0324	Hex Lock Nut, 1/4-20	55.	710-0896	Hex Scr. w/Washer 1/4-14 x .625
11.	746-0883	Control Housing	56.	682-3056A	RH Handle Bracket
12.	710-1270	Oval C-Sunk Screw 1/4-20 x 1.31	—	682-3057A	LH Handle Bracket (Not Shown)
13.	720-0279	Handle Knob	57.	710-0514	Hex Bolt 3/8-16 x 1.0"
14.	720-0314	Handle Knob	58.	710-0286	Pan Head Screw
15.	710-1205	Eye Bolt	59.	17488A	RH Pivot Bar
16.	746-0554	Control Cable, 40.5"	—	17489A	LH Pivot Bar (Not Shown)
17.	710-1174	Carriage Bolt 5/16-18 x 2.0	60.	732-0866	Height Adj. Lever
18.	682-3058	RH Bracket Ass'y	61.	720-0312	Foam Grip
—	682-3059	LH Bracket Ass'y (Not Shown)	62.	738-0507B	Shoulder Scr .500 Dia. x .434
19.	726-0240	Cable Tie	63.	736-0105	Washer .401 x .870 x .063
20.	714-0104	Cotter Pin	64.	734-1864	Wheel, 14 x 2 Grey
21.	710-1007	Self-Tapping Screw	65.	736-0182	Spring Washer .50 I.D. x 1.0 O.D.
22.	712-0397	Wing Knob	66.	736-0456	Flat Washer .510 x 1.373 x .04
23.	664-0084	Grass Bag	67.	738-0481A	Shoulder Screw
24.	7510042824	Screw # 12 x .457	68.	732-0700	Wire
25.	631-0075B	Engine Spacer	69.	731-1236	Rear Trailing Shield
26.	751B213146	Clamp Casing	70.	747-0996	Pivot Rod
27.	710-1237	Hex Screw TT #10-32 x .625	71.	732-0809	Torsion Spring
28.	782-0082A	21" Deck	72.	782-7599B	Rear Discharge Door
29.	782-5004	RH Rear Baffle	73.	747-0995A	Grasscatcher Frame
30.	710-1017	Screw AB: 1/4-14: .625	74.	712-0271	Hex Nut
31.	782-5003	LH Rear Baffle	75.	711-1293	Screw
32.	710-0216	Hex Screw 3/8-16 x .75	76.	782-5007A	Plastic Mulching Baffle
33.	736-0331	Bell Washer .39 x 1.13 x .062	—	731-1396A	Engine Shroud (Not Shown)
34.	712-0798	Hex Nut 3/8-16	77.	682-7000	Mulching Plug (Hinged)
35.	731-1936A	Transmission Cover (Black)	78.	731-1409	Chute Deflector
36.	782-5002	Front Baffle	79.	732-0731	Torsion Spring
37.	754-0465	V-Belt, 3/8 x 35.68"	80.	747-0710	Hinge Pin
38.	712-0324	Hex Nut 1/4-20	81.	710-0599	Tapp Scr. 1/4-20 x .500
39.	756-1146A	Drive Pulley	82.	736-0270	Bell Washer .265 x .75 x .062
40.	748-0411	Blade Adapter	83.	782-7006	Hinged Mtg. Bracket

Model 560 Series



IMPORTANT: For a proper working machine, use Factory Approved Parts. **V-BELTS** are specially designed to engage and disengage safely. A substitute (non OEM) V-Belt can be dangerous by not disengaging completely.

Model 560 Series

Ref. No	Part No.	Description	Ref. No	Part No.	Description
1.	712-3025	Hex Jam Nut 5/16-24	29.	618-0606	Transmission Assembly
2.	736-0425	Bell Washer .325 x .930 x .045	30.	732-0708	Bearing Retainer
3.	756-1042	Pulley, 3.82 x .313 x .68	31.	741-0604A	Bearing Sleeve .50 I.D.
4.	736-0425	Bell Washer .325 x .930 x .045	32.	748-0355	Bearing Support
5.	712-0896	Lock Nut 1/4-28	33.	736-0447	Wave Washer 1.5 x 1.0 x .029
6.	736-0406	Flat Washer .442 x 1.38 x .060	34.	782-0512B	RH Height Adj. Plate
7.	782-7598	Belt Keeper	35.	782-0511A	LH Height Adj. Plate
8.	741-0124	Ball Bearing	36.	682-0509	Pivot Plate Assembly
9.	721-0457	Oil Seal	37.	732-0706	RH Front Lever
10.	750-1050	Flange Spacer	38.	732-0707	LH Front Lever
11.	682-0028	Idler Bracket Assembly	39.	720-0190	Knob
12.	741-0682A	Bearing Sleeve	40.	710-0216	Hex Cap Screw 3/8-16 x .75
13.	732-0849A	Extension Spring	41.	736-0474	Washer DD 1.5" O.D.
14.	710-0299	Hex Cap Screw 1/4-28 x 1.00	42.	716-0865	Snap Ring
15.	736-0570	Flat Washer .865 x 1.145 x .030	43.	782-7551	Wheel Dust Cap
16.	741-0699	Needle Bearing .438 x .625 x .500	44.	717-1762	Gear 14T RH
17.	721-0325	Plug 1/4 x .437	45.	717-1761	Gear 14T LH
18.	618-0300A	Upper Housing	46.	634-0021C	Wheel, 8x2 Grey
19.	721-0329	Oil Seal .500 x .687 x .094	47.	720-0249	Hubcap: EuroGray
20.	741-0673	Flange Bearing	48.	682-0512A	RH Height Adj. Complete
21.	611-0105	Output Shaft	49.	682-0511A	LH Height Adj. Complete
22.	736-0520	Flat Washer .504 x .700 x .030	50.	682-0030	Cable Idler Bracket
23.	717-1492	Pinion Shaft 10T	51.	715-0221	Dowel Pin
24.	736-0314	Thrust Washer .375 x .70 x .030	52.	736-3013	Flat Washer 1/2 x 1.00 x .063
25.	736-0569	Thrust Washer .388 x .625 x .062	53.	714-0101	Cotter Pin .08 x 1.42
26.	618-0299A	Lower Housing	54.	738-1002	Screw
27.	741-0672	Flange Bearing .378 x .531 x .370	55.	754-0465	Belt
28.	710-1276	Hex Screw w/Washer 1/4-20 x .750			