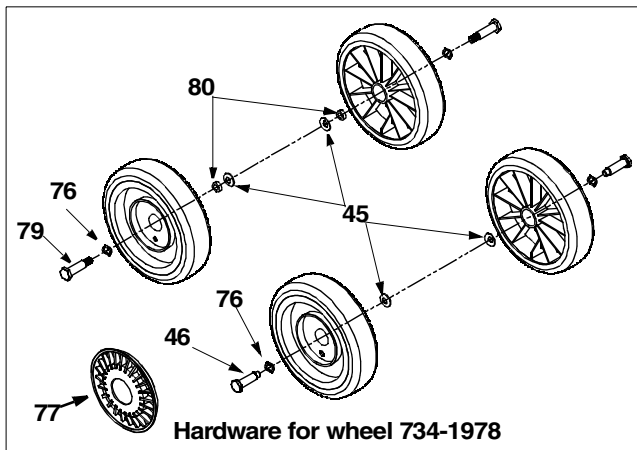
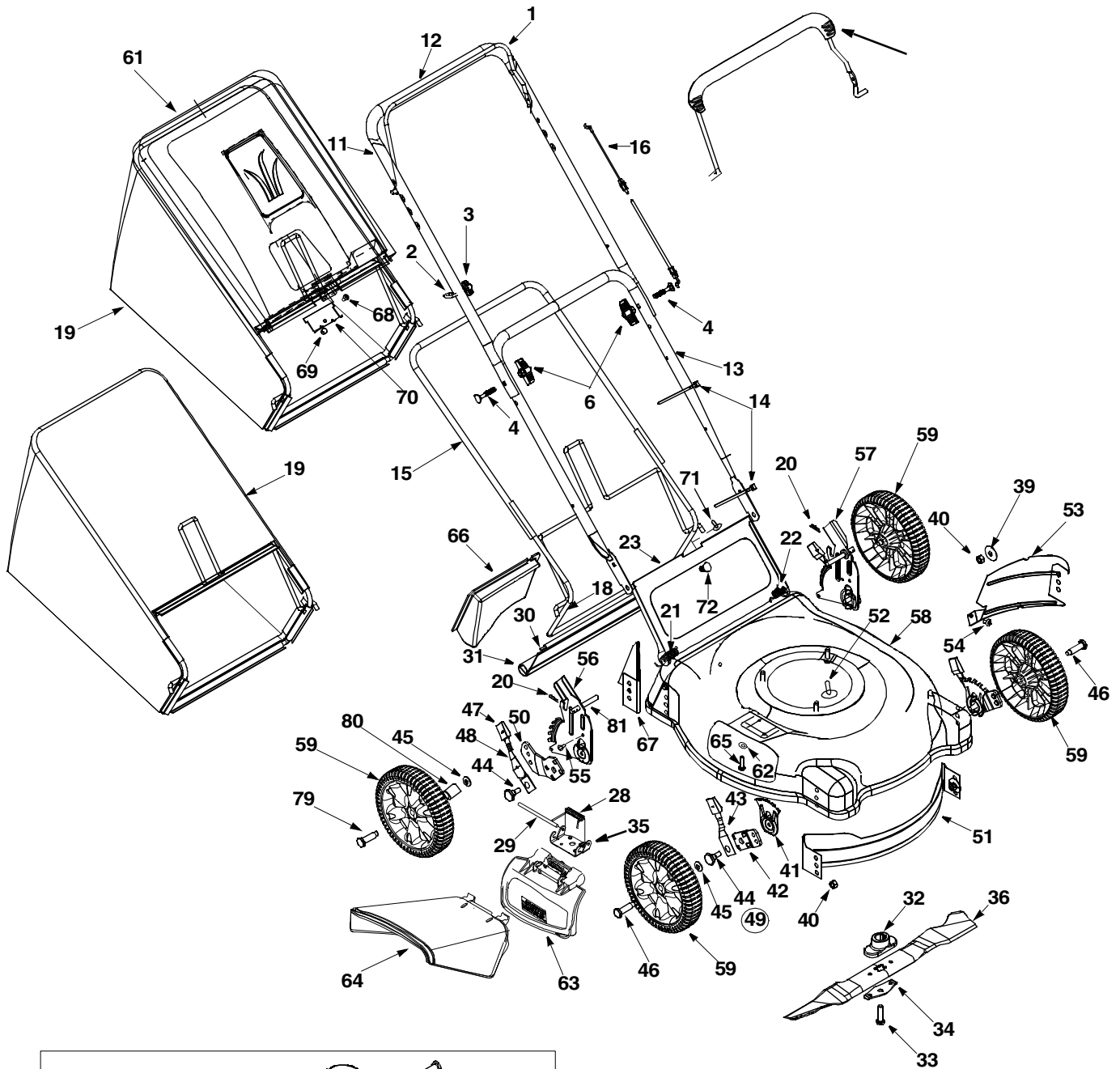


# SECTION 11: PARTS LIST FOR MODEL SERIES 430-439



# Model Series 430-439

Ref. No	Part No.	Description	Ref. No	Part No.	Description
1	747-1161A	Control Handle	48	732-0404	Rear Spring Lever
2	710-1205	Rope Guide	49	14578	Height Adj. Assy. Comp. - RH
3	720-0279	Handle Knob 1/4-20 Thd.		14579	Height Adj. Assy. Comp. - LH ‡
4	710-1174	Curved Hd. Bolt 5/16-18 x 2"	50	14765	Pivot Bar R.H.
5	731-2626	Bail Cover †	N/I	14766	Pivot Bar L.H.
6	720-0284	Hand Knob	51	782-5002	Front Baffle
11	749-1092A	Upper Handle	52	710-0654A	Hex L-Wash.Scr. 3/8-16 x 1"
12	720-0295	Foam Grip †	53	782-5003	Rear Baffle
13	749-0928	Lower Handle	54	710-1017	Torx Mach AB-Tap Scr. 1/4 x.62"
14	726-0240	Cable Tie	55	710-0896	HexIndWash. Scr. 1/4-14:.625
15	764-0310	Rear Catcher Frame	56	682-0516A	Handle Brkt. Ass'y.—RH
16	746-1130	Control Cable - 40"	57	682-0515A	Handle Brkt. Ass'y.—LH
	746-0554	Control Cable - 40.5"	58	782-0047A	Cutting Deck
	746-0551	Control Cable - 43"	59	734-1987	Wheel w/ Bearings Grey Link Thd.
	746-1137	Control Cable - 53"		734-1988	Wheel w/ Bearings Grey Bar Thd.
18	764-0311	Front Catcher Frame		734-1978	Wheel w/ Bearings Black Link Thd.
19	764-0309	Grass Bag (for hard top)†	61	731-1876	Hard Top Cover w/ Icon
	764-0457A	Grass Bag (soft top w/logo)		731-1322A	Hard Top Cover w/o Icon
	664-0176	Grass Bag (Half Sail)	62	736-0270	Bell Washer 1/4" I.D.
	664-0175	Grass Bag (Full Sail)	63	682-7000	Hinged Mulching Plug
20	714-0104	Int. Cotter Pin 5/16" Dia.	64	731-1409	Chute Deflector: Side Discharge
21	732-0678	Door Spring - R.H.	65	710-0599	Hex Hd Self-Tp Scr. 1/4-20 x .5"
22	732-0677	Door Spring - L.H.	66	782-5007A	Mulching Baffle Plug
23	782-7000	Rear Discharge Door	67	782-5004	Mulching Baffle - R.R.
28	732-0731	Torsion Spring	68	710-0286	Pan Hd. Mach. Scr. 1/4-20:.5" Lg.
29	747-0710	Hinge Pin	69	712-0324	Hx. Nylon L-Nut - 1/4-20 Thread
30	732-0700	Wire Rod	70	782-9011	Mounting Bracket
31	731-1236	Rear Flap	71	710-0192	Truss Scr. #10-24 x .38" Lg.
32	753-0588	Blade Adapter (Kit includes 32-34)	72	720-0275	Knob
33	710-1044	Hex Bolt 3/8-24 x 1.5" Lg.	76	736-0504	Wave Washer
34	736-0524A	Blade Bell Support	77	731-0981A	Hub Cap - Rad. Spoke - Grey †
35	782-7006	Mounting Bracket	—	731-0982A	Hub Cap - Rad. Spoke - Beige
36	742-0741	21" Mulching Blade	—	731-1426	Hub-Cap- Rad. Spoke- Yellow
40	712-0431	Flange Nut 3/8-16 Thd.*	79	738-0102	Rear Axle Bolt
41	15261A	Height Adj. Plate		738-0213	Rear Axle Bolt †
42	15262B	Pivot Bar	80	750-0535	Spacer
43	14832	Front Spring Lever Ass'y. w/Knob	81	710-1248	Weld Pin
44	738-0507B	Shld. Bolt .5" Dia. x .357"	—	751B224437	Muffler Guard -(B&S Quantum)‡
45	736-0105	Bell Washer .38" I.D. x .88" O.D.	—	710-1268	#10-16:3/8 Screw‡
46	738-0102	Front Axle Bolt	—	735-0639	Spark Plug Boot‡
47	720-0426	Spring Lever Knob			

† If Equipped

‡ Not shown