

SECTION 1: TO THE OWNER

The Model 118 mulch kit is designed for use with 46-inch cutting decks on Lawn Tractors and Garden Tractors manufactured after 1996 ONLY. It will NOT fit on tractors made in 1996 or prior. If you should own such a tractor and would like to convert the deck to a mulcher, purchase kit 190-117-000/OEM-190-117. If you are unsure of the manufacturing date of your tractor, contact the Customer Support department at 1(800) 800-7310. Have your model number and serial number (located on the underside of the tractor seat) ready for prompt service.



IMPORTANT: The blades included in this kit are **NOT compatible** with the deck spindles found on *Cub Cadet* model **LT 1022** lawn tractors and can NOT be safely installed and used as part of this mulch kit. Contact your *Cub Cadet* dealer for more information on mulch kits for *Cub Cadet* lawn tractors.

NOTE: References to *LEFT* and *RIGHT* indicate the left and right sides of the tractor when facing forward in the operator's position. Reference to the *FRONT* indicates the grille end; to the *REAR* the drawbar end.

SECTION 2: CONTENTS OF CARTON

Before beginning installation, remove all parts from the carton to make sure everything is present. Carton contents are listed below. Part numbers are shown in parentheses.

One Mulch Plug	(731-05264)	One Plastic Wing Nut, 1/4"	(712-3087)
Two 16.28" 3-n-1 Blades	(742-0611A)	One Carriage Screw, 1/4"	(710-0134)
One 14.88" 3-n-1 Blade	(742-0612A)		

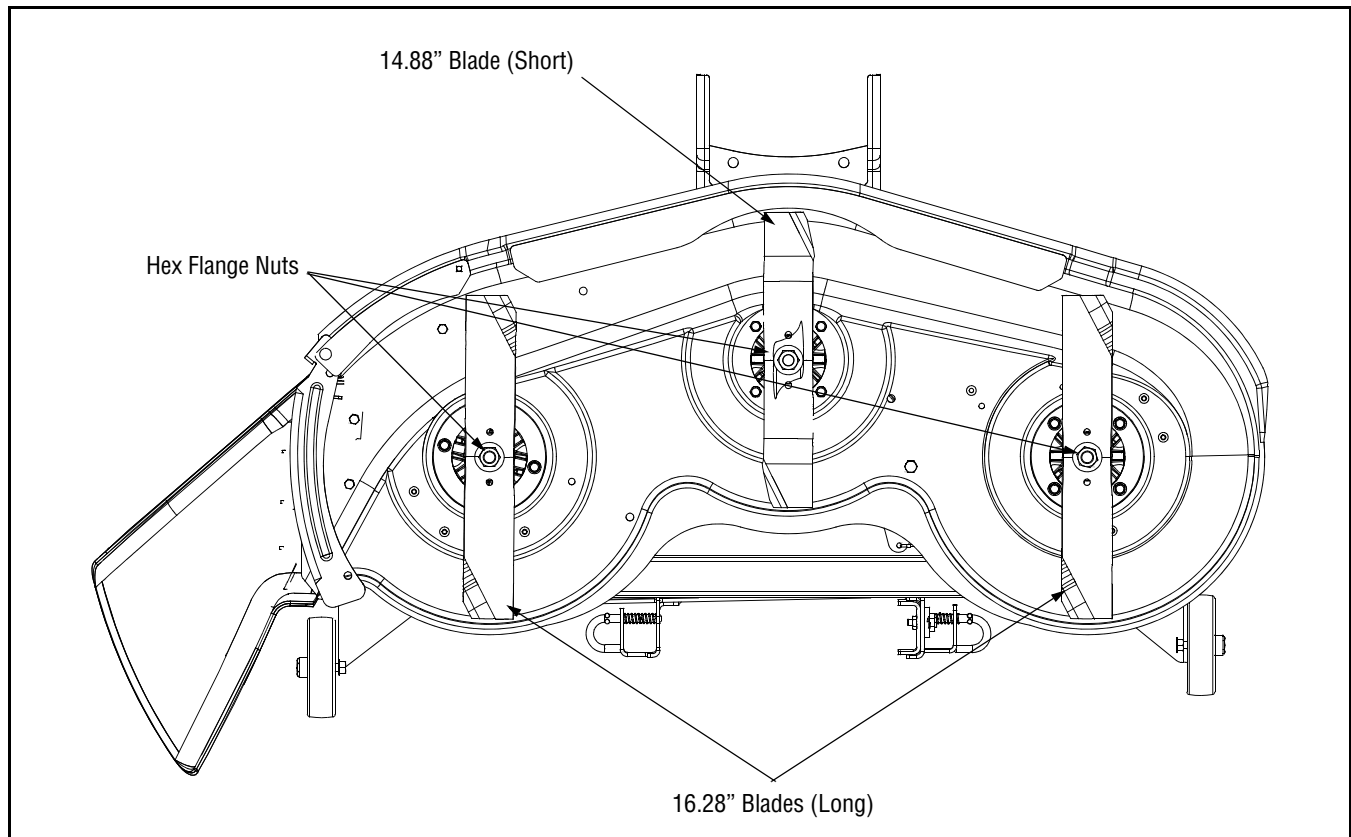


Figure 1

NOTE: Many tractors manufactured by MTD are equipped with 3-n-1 (mulching) blades from the factory. Compare the blades in this kit with the blades on your tractor's deck. If the blades appear to be identical and your tractor's blades are neither dull nor damaged, you may choose to postpone installing the blades included in this kit