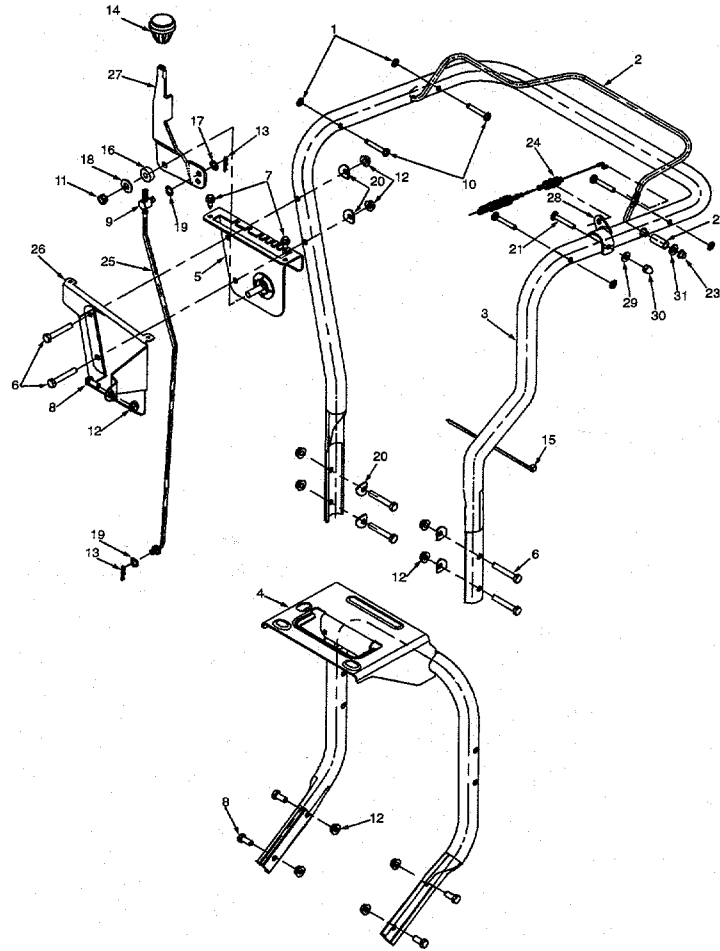


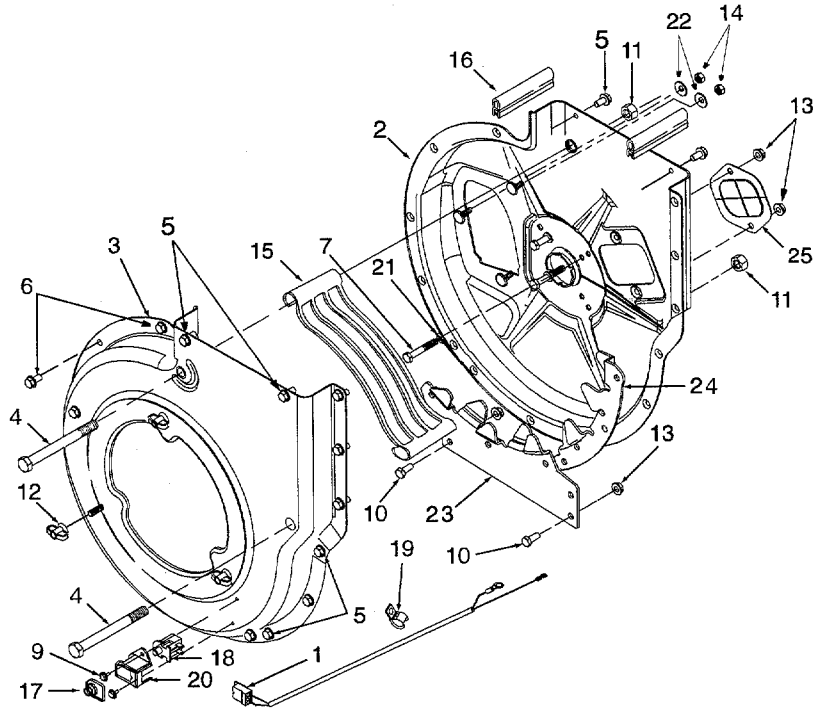
SECTION 11: ILLUSTRATED PARTS

Model 315

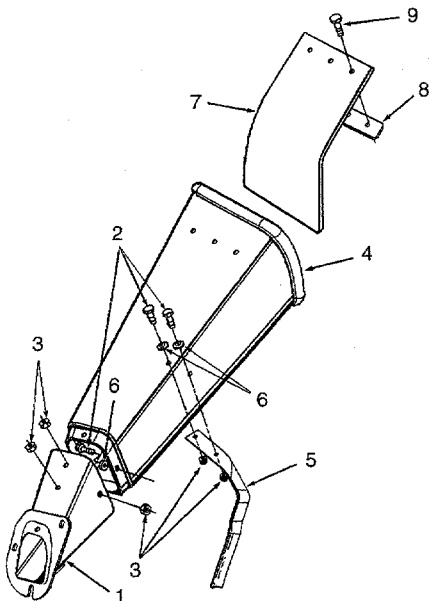


REF. NO.	PART NUMBER	DESCRIPTION	QTY	REF. NO.	PART NUMBER	DESCRIPTION	QTY
1	1539-019	Nut, Push, .25	4	18	736-0300	Washer, Flat, .406 x .875x.059	1
2	747-1133	Control Assembly, Clutch	1	19	736-0413	Washer, Spring, .390 x .62	2
3	749-1083	Handle Assembly, Upper	1	20	736-0451	Washer, Saddle, .320 x .93	6
4	649-0012	Handle Assembly, Lower	1	21	710-0495	Carr. Bolt 1/4-20 x 1.75" Lg.	1
5	681-0076	Bracket Assembly, Shift	1	22	750-1185	Spacer	1
6	710-3103	Screw, Hex Cap, 5/16-18 x 2.0	6	23	726-0135	Nut, Cap Speed	1
7	710-0896	Screw, Hex Wash Hd, 4-14x	2	24	746-1080	Cable, Clutch	1
8	710-3008	Screw, Hex Cap 5/16-18 x .75	5	25	747-0626	Rod, Shift	1
9	711-0677	Ferrule	1	26	781-0626	Cover, Shift	1
10	711-0737	Pin, Stud, .250 x 1.75	4	27	784-0297A	Handle, Shift	1
11	712-0116	Nut, Hx Ins. Jam Lk. 3/8-24Thd	1	28	781-0157	Bracket, Cable Mtg.	1
12	712-3004A	Nut, Hex Flange Lock 5/16-18	11	29	736-3020	Washer, Flat .271 x .63 x .65	1
13	714-0104	Pin, Internal Cotter	2	30	712-0442	Nut, Lock, Acorn 1/4-20	1
14	720-0232	Knob, Shift	1	31	736-0275	Washer, Flat 5/16	1
15	725-0157	Cable Tie	1				
16	735-0126	Rubber Washer	1				
17	736-0117	Washer, Flat .385 x .62 x .6	1				

Model 315



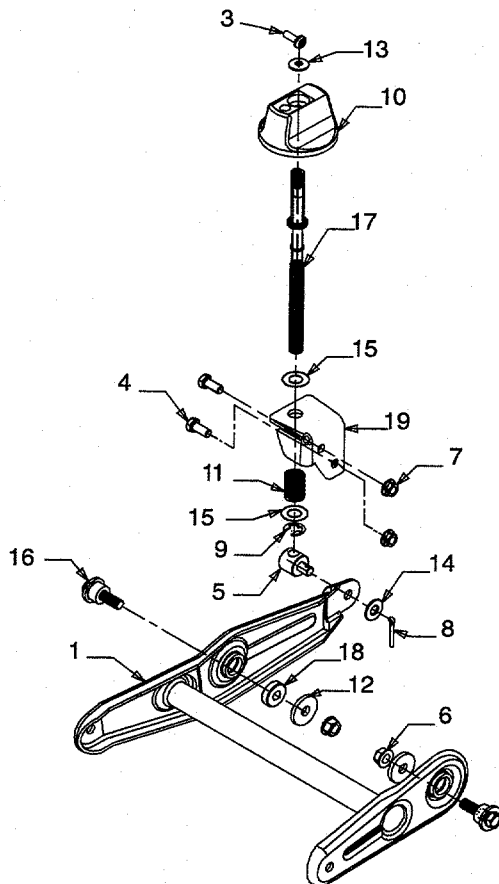
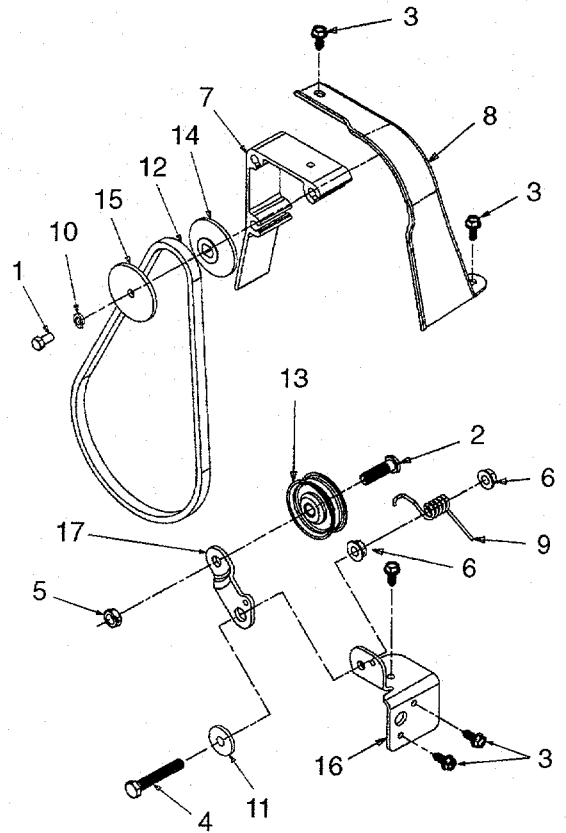
REF. NO.	PART NUMBER	DESCRIPTION	QTY.	REF. NO.	PART NUMBER	DESCRIPTION	QTY.
1	629-0241	Harness, Wire	1	14	712-3010	Nut, Hex, 5/16-18	3
2	681-0059	Housing Ass'y, Inner Flail	1	15	719-0326	Screen, Discharge	1
3	681-0060	Housing Ass'y, Outer Flail	1	16	723-0438	Rubber Seal	2
4	710-0382	Screw, Hex Cap, 1/2-13 x 5.0	2	17	725-1700	Cover, Switch	1
5	710-0604	Screw, Hex Wash Hd Tapp 5/16-18 x .62	10	18	725-3166	Switch, Snap Mount	1
6	710-0607	Screw, Hex Wash Hd Tapp 5/16-18 x .50	8	19	726-0272	Clamp	1
7	710-0772	Screw, Hex Cap, 5/16-24 x 2 GR5	3	20	731-1613	Cover, Safety Switch Mtg.	1
9	710-1268	Screw, Hex Wash Hd Tapp #10-16 x .38	2	21	736-0119	Washer, Lock, 5/16	3
10	710-3008	Screw, Hex Cap, 5/16-18 x .75 GR5	2	22	736-0242	Washer, Bell, .345 x .88 x .06	3
11	712-0384	Nut, Hex Center Lock, 1/2-13	2	23	781-0598	Blade, Lower Shredder	1
12	712-0421	Knob, 5/16-18	2	24	781-0599	Blade, Upper Shredder	1
13	712-3004A	Nut, Hex Flange Lock, 5/16-18	3	25	781-0627	Cover, Chipper Blade	1



REF. NO.	PART NUMBER	DESCRIPTION	QTY.
1	681-0068	Chute Assembly, Chipper	1
2	710-0751	Screw, Hex Cap, 1/4-20 x .625	5
3	712-3027	Nut, Hex Flange Lock, 1/4-20	5
4	731-1574	Chute, Chipper	1
5	781-0625	Bracket, Chipper Chute Support	1
6	736-0173	Washer, Flat, .28 x .74 x .63	5
7	735-0249	Flap, Chipper Chute	1
8	781-0633	Strip, Chute Flap	1
9	728-0175	Rivet, Pop, .156 x .504	3
—	731-1617	Tamper Plug (Optional - Not Shown)	1

Model 315

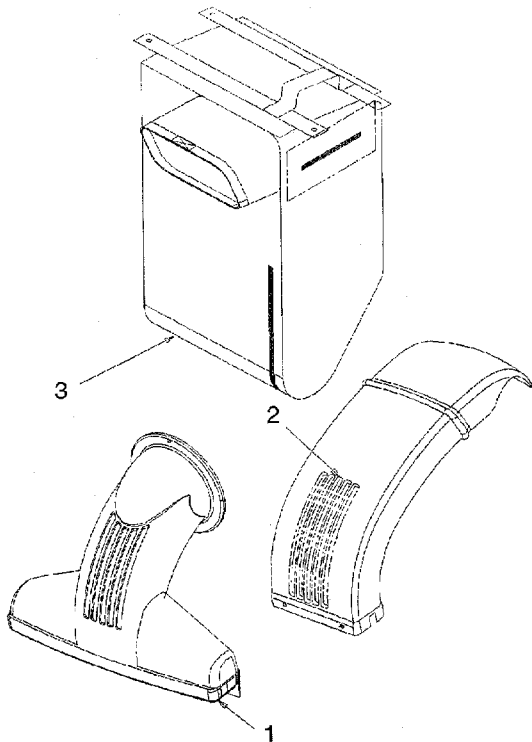
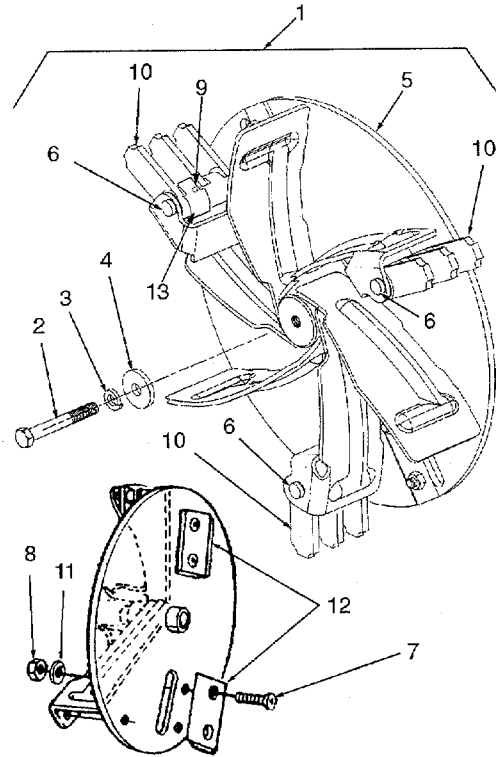
REF. NO.	PART NUMBER	DESCRIPTION	QTY.
1	710-0230	Screw, Hex Cap, 1/4-28 x .50	1
2	710-0723	Screw, Hex Cap, 3/8-16 x 1.25	1
3	710-0896	Screw, Hex Wash Hd Tapp. 1/4-14 x .625	5
4	710-0646	Screw, Hex Cap, 5/16-18 x 2.0	1
5	712-0266	Nut, Hex Cent-L Jam, 3/8-16	1
6	712-3004A	Nut, Hex Flange Lock, 5/16-18	2
7	719-0330A	Adapter, Engine Mtg	1
8	731-1584	Belt Cover	1
9	732-0745	Spring, Torsion, .54 x 1.0	1
10	736-0329	Washer, Lock, 1/4	1
11	748-0234	Shoulder Spacer, .50 ID x .27 Lg	1
12	754-0256	V-Belt, 3/8 x 29.0 Lg	1
13	756-0313	Pulley, Flat Idler	1
14	756-0987	Pulley Half, 2.0 Dia	1
15	756-0986	Pulley Half, 2.0 Dia	1
16	781-0611	Bracket, Idler Pivot	1
17	781-0614	Bracket, Idler	1



REF. NO.	PART NUMBER	DESCRIPTION	QTY.
1	681-0096	Bracket Ass'y, Wheel Pivot	1
3	710-0924	Screw, Pan Hd Mach, 1/4-20 x .75	1
4	710-3008	Screw, Hex Cap, 5/16-18 x .75 GR5	2
5	711-1041	Ferrule, Adjustment	1
6	712-0431	Nut, Hex Flange Lock, 3/8-16	2
7	712-3004A	Nut, Hex Flange Lock, 5/16-18	2
8	714-0115	Pin, Cotter, 1/8 x 1.0	1
9	716-0104	E-Ring, .50 Dia	1
10	720-0236	Knob	1
11	732-0645	Spring, Compression	1
12	736-0247	Washer, Flat, .406 x 1-1/4	2
13	736-0270	Washer, Bell, .265 x .75 x .062	1
14	736-0300	Washer, Flat, .406 x .875 x .059	1
15	736-0369	Washer, Flat, .508 x 1.0 x .020	2
16	738-0955	Shoulder Bolt, .75 x .43: 3/8-16	2
17	747-0631	Rod, Height Adjustment	1
18	711-0242	Spacer, .380 ID x 1.0 OD x .32 Lg	1
19	781-0605	Bracket, Height Adj	1

Model 315

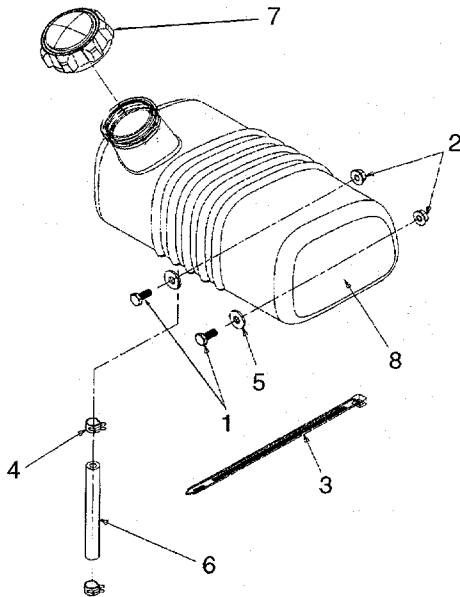
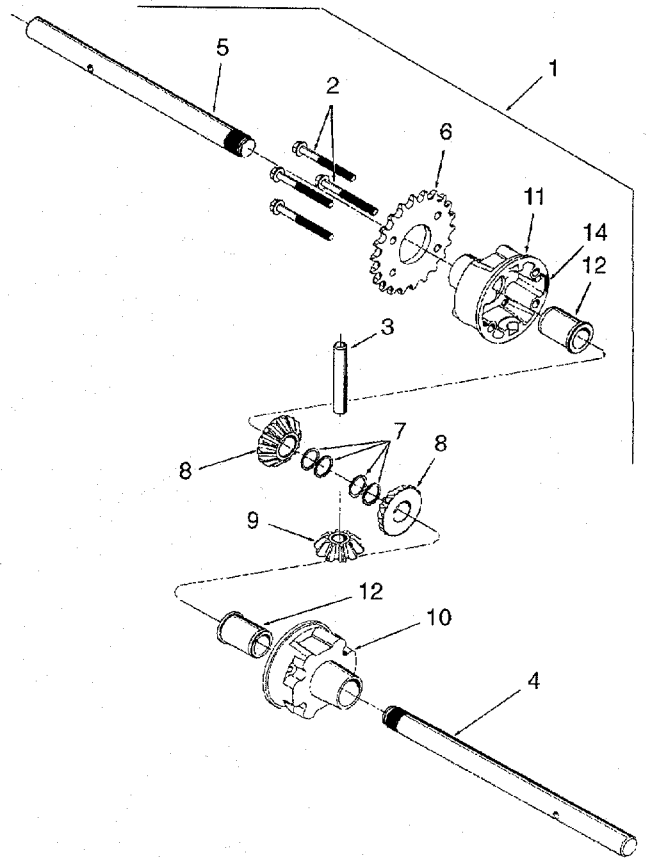
REF. NO.	PART NUMBER	DESCRIPTION	QTY.
1	681-0051	Impeller Ass'y, Complete Includes Ref. Nos. 5 thru 13	1
2	710-1273	Screw, Hex Cap, 3/8-24 x 2.75 GR5	1
3	736-0217	Washer, Lock, 3/8 Heavy Duty 1	1
4	736-0247	Washer, Flat, .406 x 1-1/4 HD1	1
5	681-0052	Impeller Assembly	1
6	711-0833B	Pin, Clevis	3
7	710-1054	Screw, Flat Hd. Cap, 5/16-24 x 1.0	4
8	712-0411	Nut, Hex Insert Lock, 5/16-24	4
9	715-0166	Pin, Spirol, 5/32 x 1.125	3
10	719-0329	Blade, Flail	3
11	736-0119	Washer, Lock, 5/16	4
12	781-0490	Blade, Chipper	2
13	781-0735	Pin Retaining Clip	3



REF. NO.	PART NUMBER	DESCRIPTION	QTY.
1	631-0029	Nozzle Assembly, Vacuum	1
2	731-1616	Chute, Discharge	1
3	764-0474	Bag, Vacuum	1

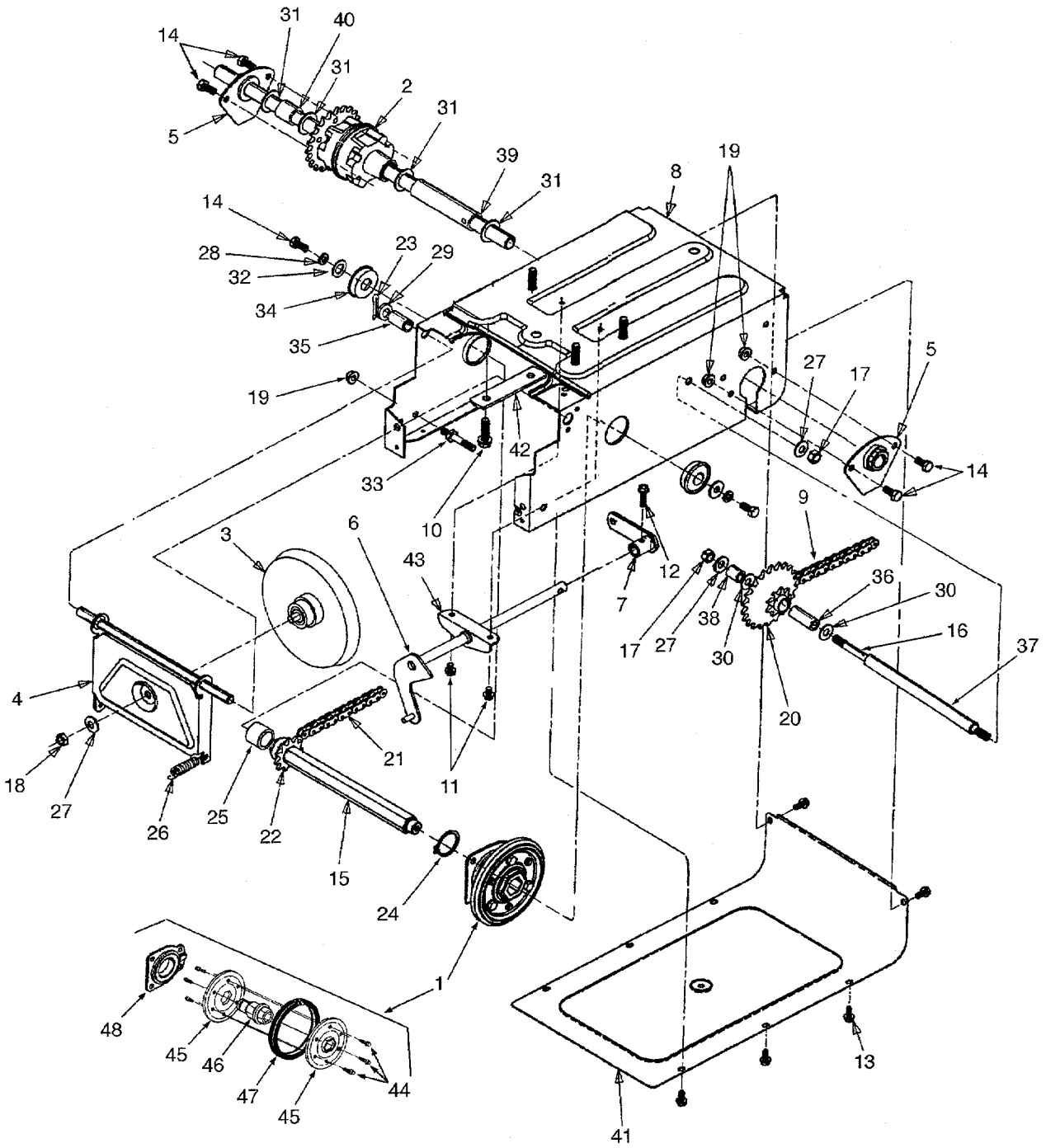
Model 315

REF. NO.	PART NUMBER	DESCRIPTION	QTY.
1	618-0168	Differential Ass'y Complete	1
2	710-1206	Screw, Hex Wash Hd Tapp 1/4-20 x 2-5/16	4
3	711-1035	Cross Shaft	1
4	711-1037	Axle Shaft, .75 x 10.95	1
5	711-1038	Axle Shaft, .75 x 9.82	1
6	713-0445	Spocket, 22T	1
7	716-0232	Ring, Retaining	4
8	717-1358	Gear, Differential, 14T	2
9	717-1437	Gear, Differential, 10T	2
10	719-0333	Housing, Differential RH	1
11	719-0334	Housing, Differential LH	1
12	748-0383	Bearing, Flange, .75 ID x 1.0 OD	2
13	737-0300	Grease, Benalene	1 oz
14	721-0328	Sealant, Ultra Grey Loctite 5699	1



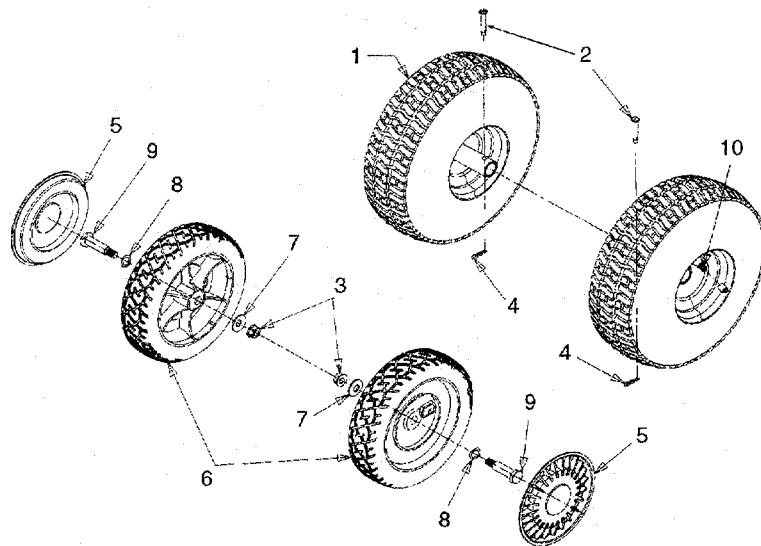
REF. NO.	PART NUMBER	DESCRIPTION	QTY.
1	710-0751	Screw, Hex Cap, 1/4-20 x .62	2
2	712-3027	Nut, Hex Flange Lock, 1/4-20	2
3	726-0209	Cable Tie, 30.66 Lg	1
4	726-0205	Clamp, Hose, 1/2 Inch	2
5	736-0173	Washer, Flat, .28 x .74 x .063	2
6	751-0535	Hose, Fuel Line 9 Inch	9 In.
7	751-0603	Cap, Fuel	1
8	751-0610	Tank, Fuel	1

Model 315



Model 315

REF. NO.	PART NUMBER	DESCRIPTION	QTY.	REF. NO.	PART NUMBER	DESCRIPTION	QTY.
1	684-0042B	Friction Wheel Ass'y Complete	1	25	750-0998	Spacer, .675 x 1.0 x 1.53	1
2	618-0168	Differential Ass'y Complete	1	26	732-0209	Spring, Extension	2
3	656-0012A	Friction Disc Assembly	1	27	736-0105	Washer, Bell, .406 x .870 x .063	3
4	681-0055	Bracket Ass'y, Frctn Wheel Supt	1	28	736-0119	Washer, Lock, 5/16	2
5	681-0058	Bracket Ass'y, Axle	2	29	736-0160	Washer, Flat, .536 x .930 x .05	1
6	681-0082	Shaft Ass'y, Shift	1	30	736-0267	Washer, Flat, .385 x .87 x .06	2
7	681-0072	Arm Ass'y, Shift	1	31	736-0287	Washer, Flat, .793 x 1.24 x .06	4
8	681-0081	Frame Assembly	1	32	736-3089	Washer, Flat, .345 x 1.0 x .100	2
9	713-0374	Chain, #420 x 36 Lnks	1	33	738-0908	Bolt, Idler	1
10	710-0502A	Screw, Hex Wash Hd Tapp 3/8-16 x 1.25	4	34	741-0563	Bearing, Ball	2
11	710-0653	Screw, Hex Wash Hd Tapp 1/4-20 x .375	2	35	748-0382	Spacer, .508 x .75 x .94	1
12	710-0788	Screw, Hex Wash Hd Tapp 1/4-20 x 1.0	1	36	750-0351	Sleeve, .380 x .623 x 1.5	1
13	710-0896	Screw, Hex Wash Hd Tapp 1/4-14 x .625	8	37	750-0978	Spacer, .407 x .625 x 7.86	1
14	710-3008	Screw, Hex Cap, 5/16-18 x .75 GR5	6	38	750-0979	Spacer, .407 x .625 x .71	1
15	711-1073	Hex Shaft	1	39	750-0980	Spacer, .782 x 1.0 x 4.11	1
16	711-1028	Jack Shaft	1	40	750-0981	Spacer, .782 x 1.0 x .99	1
17	712-0241	Nut, Hex, 3/8-24	2	41	781-0612A	Cover, Frame Bottom	1
18	712-0711	Nut, Hex Jam, 3/8-24	1	42	781-0638A	Plate, Frame Reinforcement	2
19	712-3004A	Nut, Hex Flange Lock, 5/16-18 GR5	5	43	784-5590	Bracket, Frame Shift	1
20	713-0330	Sprocket Ass'y, 9T & 22T	1	44	710-0599	Screw, Hex Wash Hd Tapp 1/4-20	6
21	713-0284	Chain, #41 x 36 Lnks	1	45	784-5617A	Plate, Friction Wheel	2
22	713-0413	Sprocket, 10T	1	46	718-0301A	Hub, Friction Wheel	1
23	714-0111	Pin, Cotter, 3/32 x 1.0	1	47	735-0243	Wheel, Rubber Friction	1
24	716-0102	Ring, Snap, 1.0 Dia	1	48	618-0063	Bearing Ass'y, Friction Wheel	1



REF. NO.	PART NUMBER	DESCRIPTION	QTY.	REF. NO.	PART NUMBER	DESCRIPTION	QTY.
1	634-0118	Wheel Ass'y Complete	2	6	734-1513B	Wheel Ass'y Complete, 8 x 2.0	2
	634-0101	Rim Assembly	2				
	734-0210	Tire, Pneumatic, 10 x 4	2				
2	711-1017	Pin, Clevis, .25 x 1.53	2	7	736-0105	Washer, Bell, .401 x .870 x .06	2
3	712-0431	Nut, Hex Flange Lock, 3/8-16	2	8	736-0232	Washer, Wave, .53 x .78 x .013	2
4	714-0104	Pin, Internal Cotter	2	9	738-0213	Shoulder Bolt	2
5	720-0249	Hubcap, Gray	2	10	734-0255	Valve, Tubeless Air	2