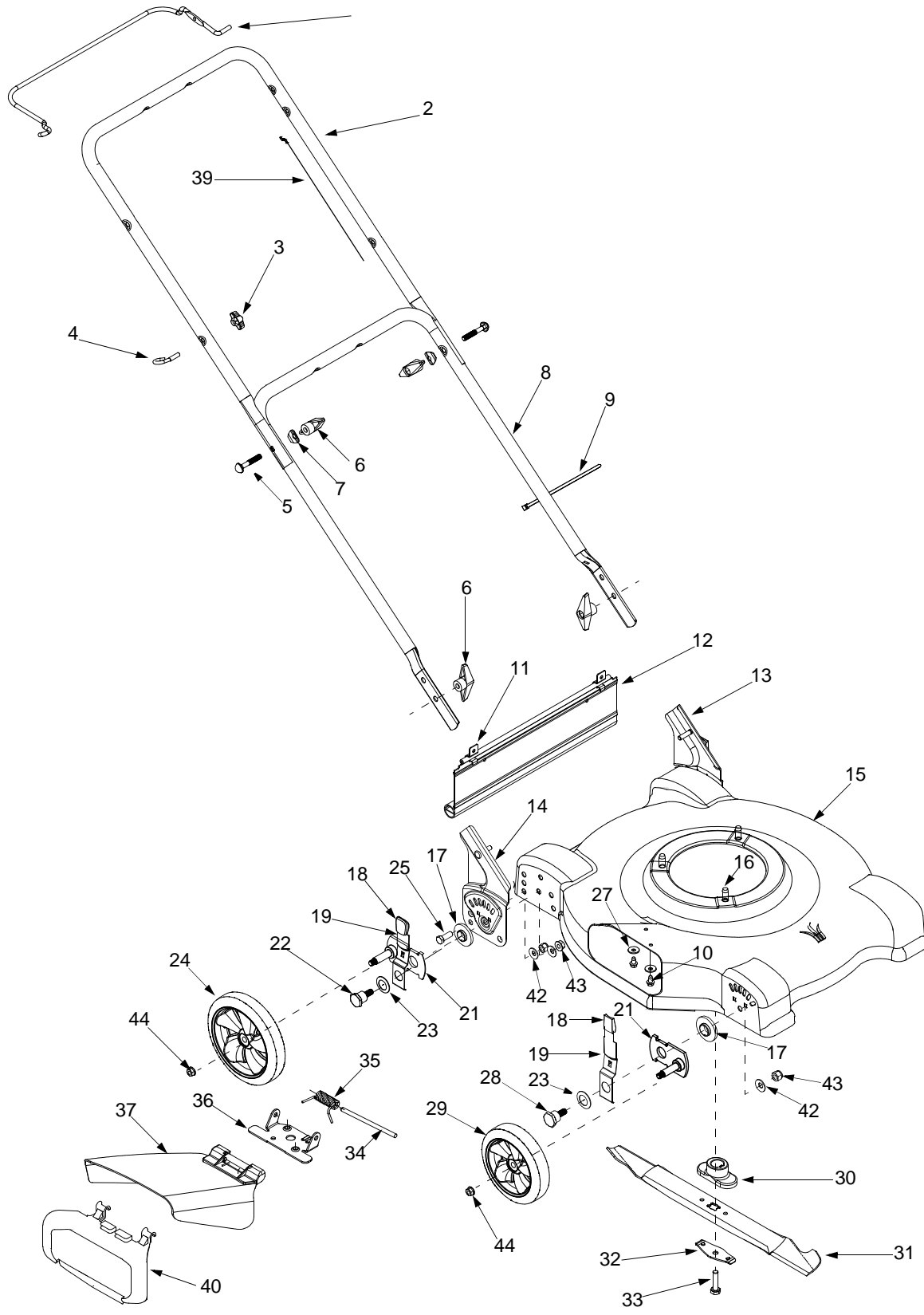


# SECTION 8: PARTS LIST FOR SERIES 080



## Series 080

Ref. No.	Part No.	Part Description	Ref. No.	Part No.	Part Description
1.	747-1161A	Blade Control Handle	23.	736-0741	Bell Washer .760 ID x 1.25 OD
2.	749-1092A	Upper Handle	24.	734-1987	Rear Wheel 8 x 1.8
3.	720-0279	Wing Nut	25.	710-0514	Hex Cap Screw 3/8-16 x 1.0
4.	710-1205	Eye Bolt	27.	736-0270	Bell Washer .265 ID x .75 OD
5.	710-1174	Carriage Bolt 5/16-18 x 2.0	28.	738-1172	Shoulder Screw
6.	720-0284	Wing Nut	29.	734-1988	Front Wheel 7 x 1.8
7.	736-0451	Shoulder Washer .320 ID x .93 OD	30.	748-0376C	Blade Adapter
8.	749-04037	Lower Handle	31.	742-0642A	Standard Blade 22"
9.	725-0157	Cable Tie		742-0742A	Mulching Blade 22"
10.	710-0599	TT Screw 1/4-20 x 0.5"	32.	736-0524A	Blade Bell Support
11.	17098	Hinge Clip	33.	710-1044	Hex Cap Screw 3/8-24 x 1.5
12.	731-04019	Trail Shield	34.	747-0710	Hinge Pin
13.	682-3065	Handle Bracket Assembly LH	35.	732-1014	Torsion Spring
14.	682-3064	Handle Bracket Assembly RH	36.	731-1035B	Chute Hinge
15.	687-02045	Deck Assembly 22" (with logo)	37.	731-1034B	Hinged Chute Deflector
	687-02048	Deck Assembly 22" (no logo)	39.	746-0957	Blade Control Cable - 37.25"
16.	710-0654A	TT Screw 3/8-16 x 1.0		746-1130	Blade Control Cable - 40"
17.	741-0751	Height Adjuster Bearing		746-1091	Blade Control Cable - 50"
18.	720-0426	Height Adjuster Knob	40.	731-04197	Mulching Plug (if equipped)
19.	687-02051	Lever Assembly (includes Ref. #18)	42.	736-0105	Washer Spacer .401 ID x .870 OD
20.	710-0216	Hex Cap Screw 3/8-16 x .75	43.	712-0130	Hex Lock Nut 3/8-16
21.	687-02094	Pivot Arm	44.	712-0431	Lock Nut 3/8-16
22.	738-1173	Shoulder Screw			