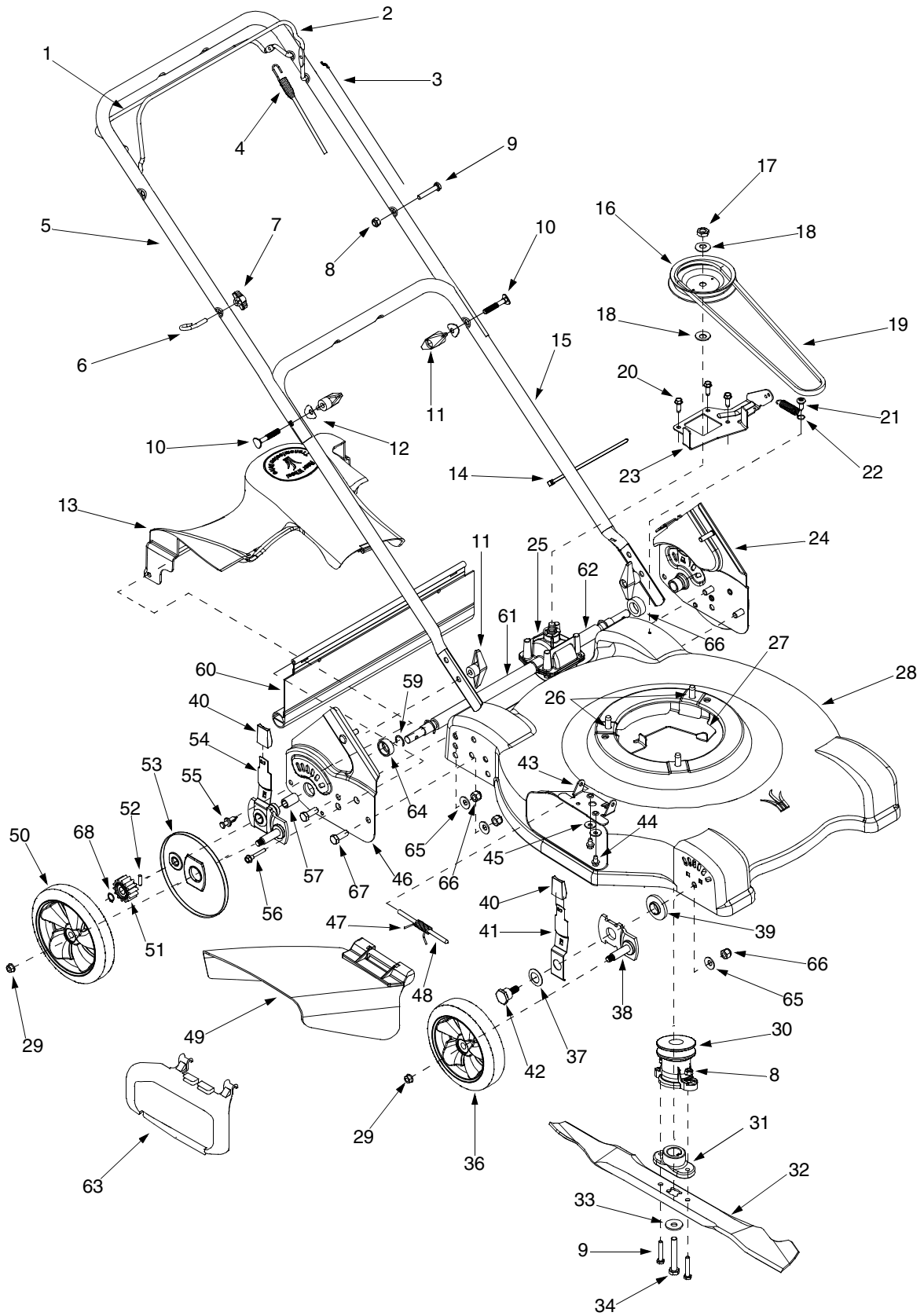


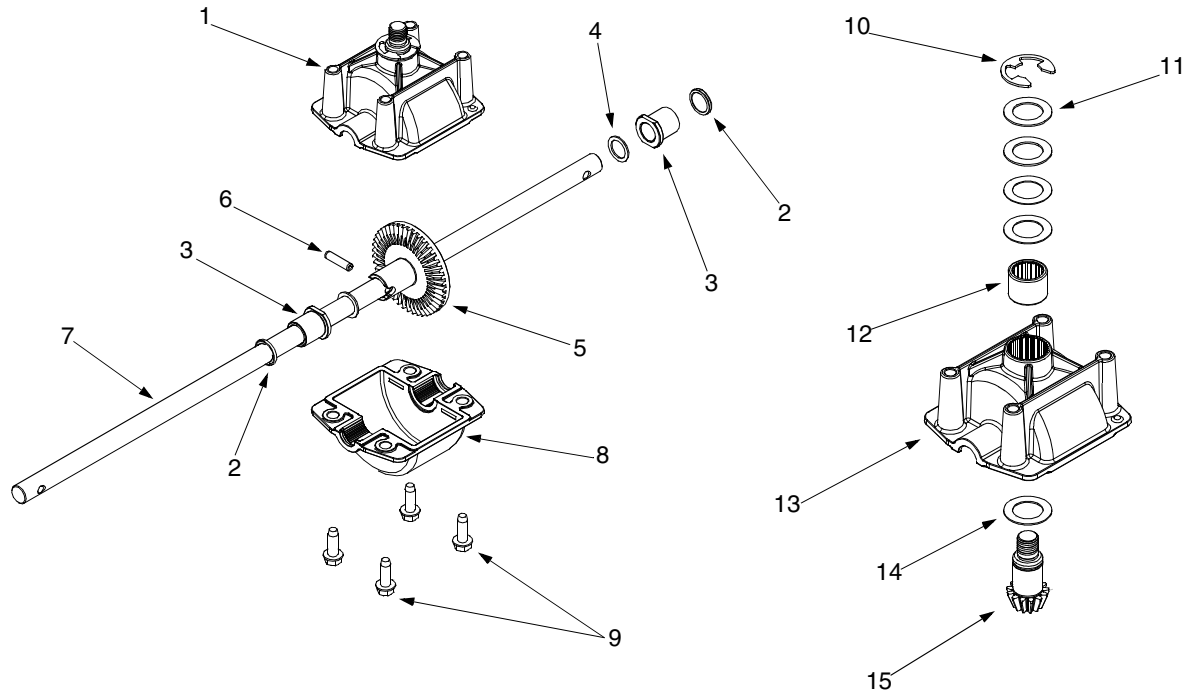
Model Series 280



Model Series 280

Ref. No.	Part No.	Part Description	Ref. No.	Part No.	Part Description
1.	747-1214	Drive Control Handle	34.	710-1044	Hex Cap Screw 3/8-24 x 2.5
2.	747-1161A	Blade Control Handle	35.	738-1168	Shoulder Screw 3/8
3.	746-1113	Blade Control Cable - B&S (37.75")	36.	734-1988	Front Wheel 7 x 1.8
	746-1132	Blade Control Cable - B&S (40.75")	37.	736-0741	Bell Washer .401 ID x .870 OD
	746-1114	Blade Control Cable - Tec (50.5")	38.	682-0113	Pivot Arm Assembly
4.	746-1093A	Drive Control Cable	39.	741-0751	Height Adjuster Bearing
5.	749-1092A	Upper Handle	40.	720-0426	Height Knob
6.	710-1205	Eye Bolt	41.	732-1026	Spring Lever
7.	720-0279	Wing Nut 1/4-20	42.	738-1172	Shoulder Screw 3/8-16
8.	712-0324	Hex Lock Nut 1/4-20	43.	731-1035B	Chute Hinge
9.	710-0606	Hex Cap Screw 1/4-20 x 1.5	44.	710-0599	Hex Washer Screw 1/4-20 x .50
10.	710-1174	Carriage Bolt 5/16-18 x 2.0	45.	736-0270	Bell Washer .265 ID x .75 OD
11.	720-0284	Wing Nut 5/16-18	46.	682-3072	Handle Bracket Assembly - RH
12.	736-0451	Shoulder Washer .320 ID x .93 OD	47.	732-1014	Torsion Spring
13.	731-0074	Transmission Cover	48.	747-0710	Hinge Pin
14.	725-0157	Cable Tie	49.	731-1034B	Side Discharge Assembly
15.	749-04037	Lower Handle	50.	634-0190	Rear Wheel 8 x 1.8
16.	756-1169	Transmission Pulley	51.	717-1762	Spur Gear 14T RH
17.	712-0240	Jam Nut 7/16-20		717-1761	Spur Gear 14T LH
18.	736-0407	Bell Washer .45 ID x 1.00 OD	52.	715-0221	Pin
19.	754-0484	V-Belt	53.	731-2522	Wheel Cover
20.	710-0642	Hex Washer Screw 1/4-20 x .75	54.	682-0544	Spring Lever Assembly - RH (RWD)
21.	738-1002	Shoulder Screw .375 x .25		682-0545	Spring Lever Assembly - LH (RWD)
22.	732-0993	Extension Spring	55.	728-0199	Plastic Rivet
23.	782-9061	Transmission Belt Bracket	56.	710-1802	Screw 1/4-20
24.	682-3073	Handle Bracket Asm - LH	57.	741-0710	Sleeve Bearing
25.	618-0607A	Transmission Assembly	58.	710-0216	Hex Cap Screw 3/8-16 x .75
26.	710-0654A	Hex Washer Screw 3/8-16 x 1.0	59.	716-0198	Retainer Ring
27.	782-9063	Engine Belt Keeper Bracket	60.	731-2322	Trail Shield
28.	682-02047	Deck Assembly 22"	61.	750-1210	Sleeve Spacer .550 ID x 9.0 OD
	682-02049	Deck Assembly 22" (No Sprigs)	62.	750-1209	Sleeve Spacer .550 ID x 2.44 OD
29.	712-0431	Flange Lock Nut 3/8-16	63.	731-04197	Snap Mulching Plug (if Equipped)
30.	756-1163	Engine Pulley	64.	748-0390	Bearing Spacer
31.	748-0426	Blade Adapter	65.	736-0105	Washer Spacer .401 ID x .870 OD
32.	742-0642A	Blade 22"	66.	712-0130	Hex Lock Nut 3/8-16
	742-0742A	Mulching Blade 22"	67.	710-0514	Hex Cap Screw 3/8-16 x 1.0
33.	736-0452	Bell Washer .396 ID x 1.140 OD	68.	716-0865	Snap Ring .500

Model Series 280



Ref. No.	Part No.	Part Description
1.	618-0392	Upper Housing Assembly
2.	721-0329	Oil Seal .500 ID x .687 OD
3.	741-0673	Flange Bearing .503 ID x .689 OD
4.	736-0520	Flat Washer .504 ID x .700 OD x .030
	736-0711	Flat Washer .504 ID x .700 OD x .035
	736-0712	Flat Washer .504 ID x .700 OD x .040
	736-0713	Flat Washer .504 ID x .700 OD x .045
5.	717-1596	Bevel Gear 44T
6.	715-0139	Roll Pin
7.	711-1595	Output Shaft
8.	719-0538	Lower Housing
9.	710-1276	Hex Washer Screw 1/4-20 x .75
10.	716-0231	E-Ring .750
11.	736-0336	Flat Washer .625 ID x 1.0 OD x .030
	736-0337	Flat Washer .625 ID x 1.0 OD
	736-0349	Flat Washer .63 ID x 1.0 OD x .020
	736-0494	Flat Washer .632 ID x 1.0 OD x .035
	736-0495	Flat Washer .632 ID x 1.0 OD x .035
12.	741-0735	Needle Bearing .625 x .813
13.	719-0537	Upper Housing
14.	736-0336	Flat Washer .625 ID x 1.0 OD x .030
	736-0494	Flat Washer .632 ID x 1.0 OD x .035
15.	711-1390A	Input Shaft