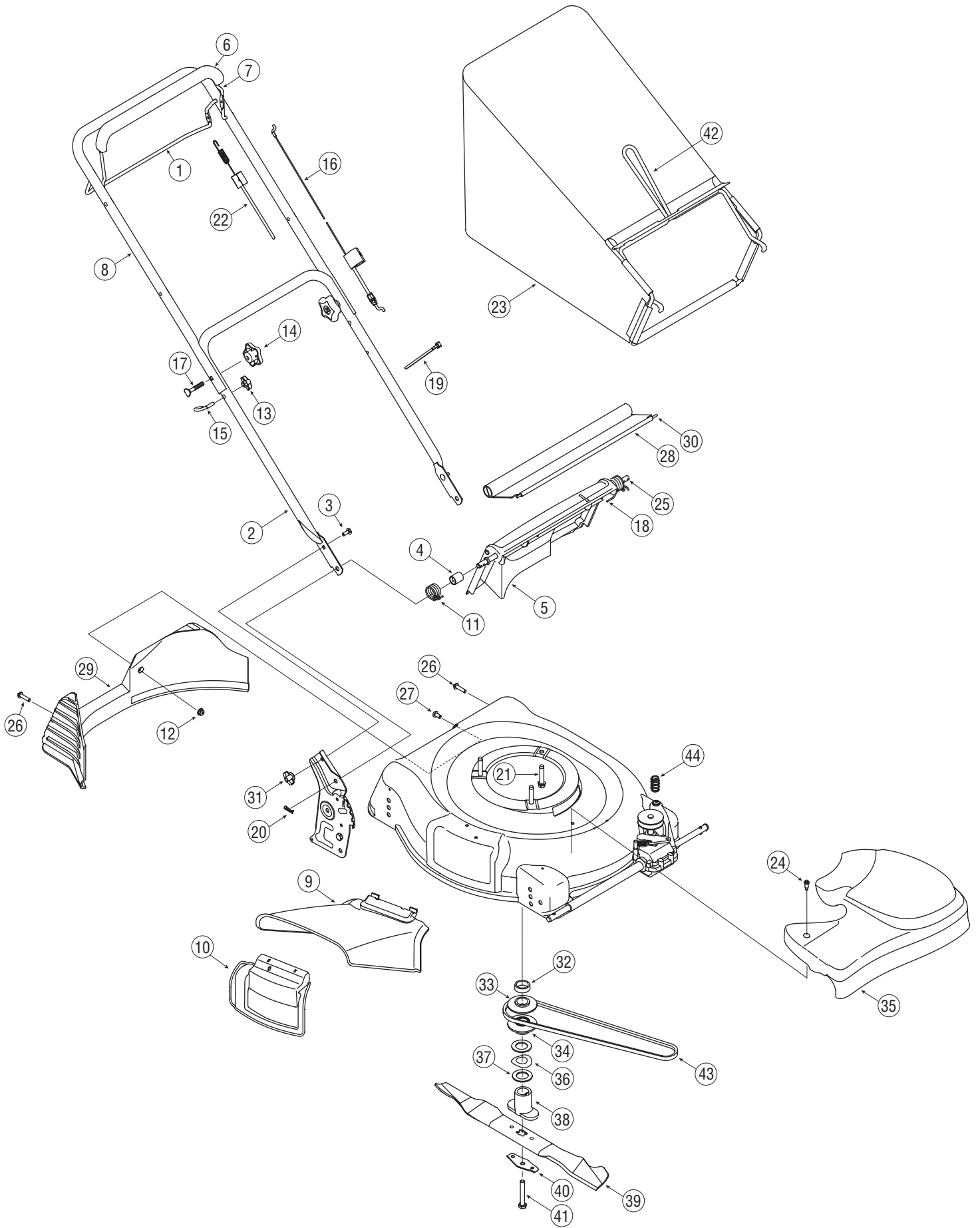


Model Series 560



1	747-1214	Drive Control
2	749-0928A	Lower Handle
3	710-0703	Carriage Bolt 1/4-20
4	750-04162	Spacer.375 x.50 x 1.02" Lg.
5	731-04134A	Rear Discharge Door
6	731-2626	Deluxe Bail Cover
7	747-1161A	Blade Control
8	749-1092A	Upper Handle
9	731-04177	Chute Deflector
10	687-02055	Mulch Plug Complete
11	732-04090A	Torsion Spring - RH
12	712-04064	Flange Lock Nut, 1/4-20
13	720-0279	Handle Knob
14	720-04072	Handle Knob
15	710-1205	Eye Bolt
16	746-1113	Control Cable - 37.75"
17	710-1174	Carriage Bolt 5/16-18 x 2.0
18	732-04089A	Torsion Spring - LH
19	726-0240	Cable Tie
20	714-0104	Cotter Pin
21	710-0654A	Self-Tapping Sems Screw
22	746-04203	Drive Cable - 51"
23	664-04027	Grassbag Assembly
24	710-1650	Shoulder Screw # 12 -24
25	747-0996	Pivot Rod
26	710-04371	Screw, 1/4-15 x 1.25
27	710-0286	Screw, 1/4-20 x .500
28	731-04998	Rear Trailing Shield
29	731-04150C	Rear Baffle
30	732-0700	Wire
31	712-0397	Wing Nut
32	750-04438A	Sleeve Spacer
33	756-04161	Upper Half Pulley
34	756-04160	Key Half Pulley
35	731-05021A	Transmission Cover
36	736-04173	Sprg Washer, 1.005 x 1.825 x .048
37	736-0250	Flat Washer, 1.00 x 1.75 x .107
38	748-04082	Blade Adapter w/ Star
39	742-0741	21" Mulching Blade
40	736-0524B	Blade Bell Support
41	710-1257	Hex Screw 3/8-24 x 2.50
42	747-04080	Grass Bag Frame
43	754-04101	V-Belt
44	732-1043	Belt Tension Spring

8

Parts List



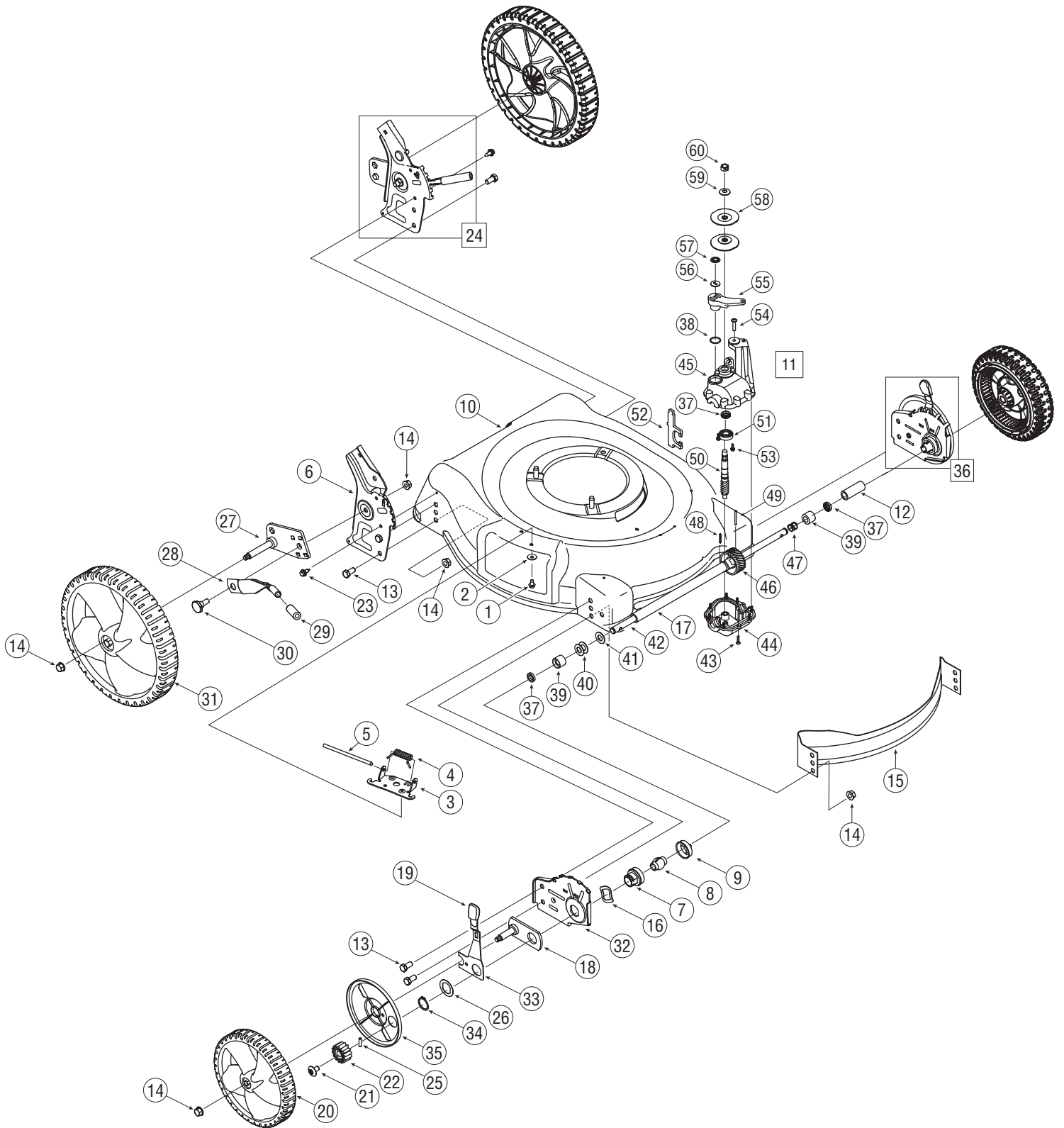
IMPORTANT

For a proper working machine, use Factory Approved Parts.

V-BELTS are specially designed to engage and disengage safely. A substitute (non OEM) V-Belt can be dangerous by not disengaging completely.



Model Series 560



1	710-0599	TT Screw 1/4-20 x 0.5
2	736-0270	Bell Washer.265 x 0.75
3	17032A	Deflector Chute Adapter
4	732-1014	Torsion Spring
5	747-0710	Hinge Pin
6	687-02192	Handle Bracket - RH
	687-02191	Handle Bracket - LH
7	748-0355	Bearing Support
8	741-0604A	Bearing Sleeve
9	732-0708	Bearing Retainer
10	787-01278	21" Deck
11	618-04376	Transmission Assembly
12	750-04595	Slev. Spacer 1.4" Lg.
13	710-0216	Hex Screw, 3/8-16 x.75
14	712-04065	Flange Lock Nut, 3/8-16
15	782-5002B	Front Baffle
16	736-0447	Wave Washer
17	750-04594	Sleeve Spacer 8.985" Lg.
18	687-02044	Pivot Plate Assembly
19	720-0426	Adjustment Knob
20	634-04100	Front Wheel 8 x 1.8
21	710-04531	Screw, 1/4-20 x .390
22	717-1762	Gear 14T RH FWD
	717-1761	Gear 14T LH FWD
23	710-1652	TT Scr. w/Washer 1/4-20 x.625
24	687-02057	Handle Bracket Assembly - LH
	687-02056	Handle Bracket Assembly - RH
25	715-0221	Dowel Pin
26	736-0474	Washer
27	687-02039A	Pivot Arm Assembly - RH
	687-02040A	Pivot Arm Assembly - LH
28	732-0866	Rear Spring Lever
29	720-0312	Foam Grip
30	738-0507B	Shoulder Scr.500 Dia. x.434

31	734-04089	Rear Wheel, 12 x 1.8
32	787-01298	Height Adjuster Plate - RH
	787-01299	Height Adjuster Plate - LH
33	732-0706	Front Lever - RH
	732-0707	Front Lever - LH
34	716-0102	Snap Ring
35	782-7551A	Wheel Dust Cap
36	687-02194	Height Adjustment Assembly - RH
	687-02193	Height Adjustment Assembly - LH
37	721-04107	Oil Seal
38	721-04110	O-ring
39	741-04106	Plastic Bushing
40	736-04224	Flat Washer
41	736-0572	Flat Washer
42	711-04429	Output Shaft
43	710-04329	Torx Screw
44	731-04883	Lower Housing
45	731-04931A	Upper Housing
46	717-04156	28 Tooth Gear
47	732-04290	Compression Spring
48	715-0129	Spirol Pin
49	715-04030	Dowel Pin
50	711-04317	Pinion Shaft
51	741-04116	Ball Bearing
52	707-04409A	Shifter Fork
53	710-04374	Hex Screw
54	710-0969	Screw, #12-16 x 1.00
55	731-04932	Clutch Lever
56	736-04178A	Slotted Washer
57	726-04043	Push Nut
58	756-04132	Pulley, 3.82 x.313 x.68
59	736-0105	Bell Washer.325 x.930 x.45
60	712-0214	Hex Lock Nut, 3/8-24

8

Parts List

