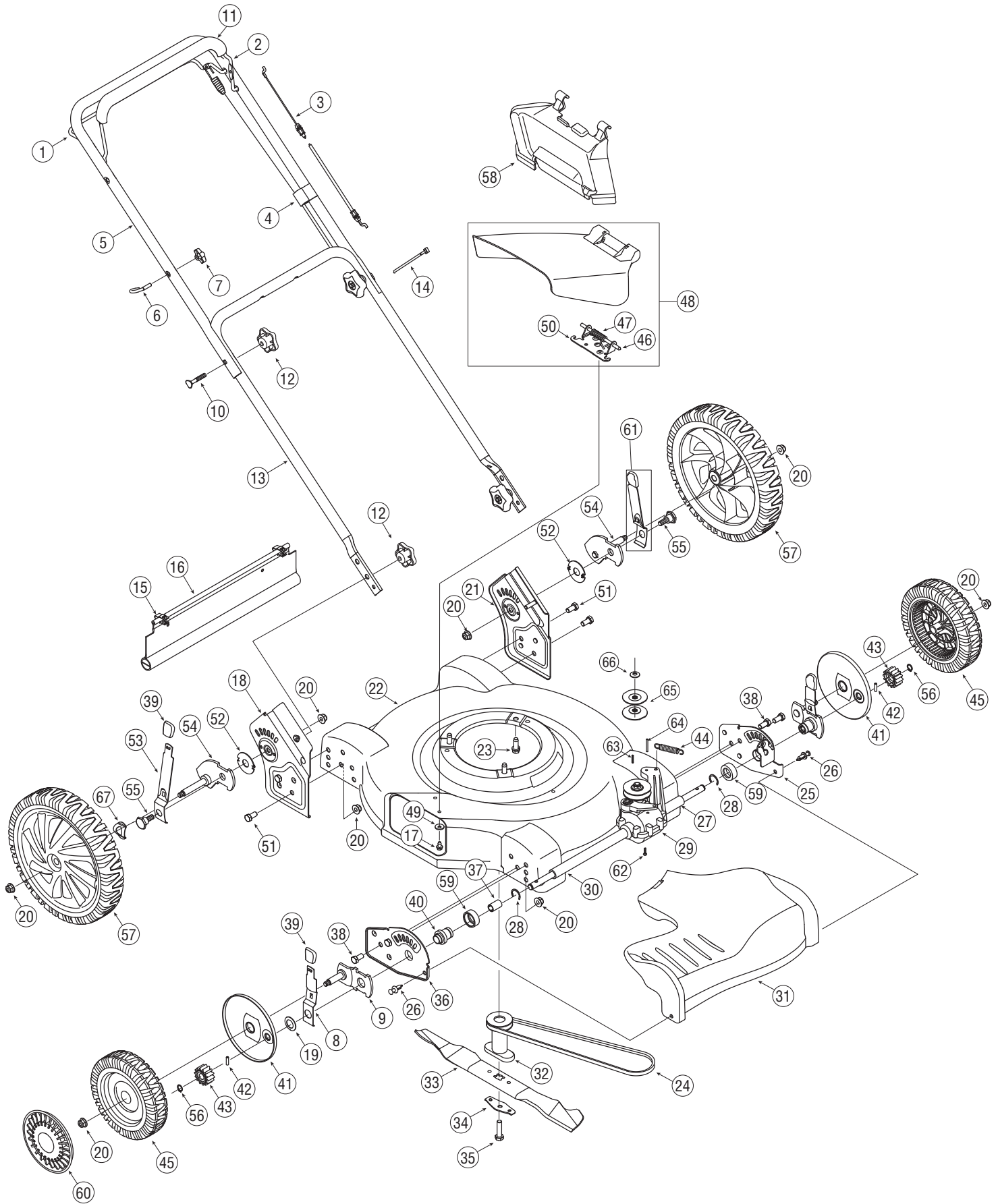


Model Series 520



1.	747-1214	Drive Control Handle
2.	747-1161A	Blade Control Handle
3.	746-1132	Blade Control Cable - 40.75"
4.	746-04204	Drive Control Cable
5.	749-1092A	Upper Handle
6.	710-1205	Eye Bolt
7.	720-0279	Wing Nut 1/4-20
8.	732-1026	Spring Lever
9.	687-02139	Pivot Arm Assembly
10.	710-1174	Carriage Bolt 5/16-18 x 2.0
11.	731-2626	Bail Cover
12.	720-04072	Wing Nut
13.	749-04037	Lower Handle
14.	725-0157	Cable Tie
15.	17098	Hinge Clip
16.	731-2537	Trail Shield
17.	710-0599	Hex Screw 1/4-20 x.500
18.	682-3062A	Handle Bracket Assy - RH
19.	736-0741	Bell Washer,.760 x 1.25 x.041
20.	712-04065	Lock Nut 3/8-16
21.	682-3063A	Handle Bracket Assembly- LH
22.	687-02046	22" Deck Assembly
23.	710-0654A	Hex Washer Scr., 3/8-16 x 1.0
24.	754-04100	V-Belt, 3L x 32.90
25.	782-0585A	Forward Height Adj. Plate - LH
26.	728-0199	Rivet
27.	750-04407	Sleeve Spacer.550 ID x 2.22
28.	716-0198	Retainer Ring
29.	618-04375	Transmission Assy. Comp.
30.	750-04406A	Sleeve Spacer.550 ID x 7.42
31.	731-0073	Transmission Cover
32.	748-04016A	Blade Adapter
33.	742-0742A	22" Mulching Blade
34.	736-0524B	Bell Blade Support
35.	710-1044	Hex Cap Screw 3/8-24 x 1.5

36.	782-0584	Forward Hght. Adj. Plate - RH
37.	741-0710	Slv. Bearing,.502 x.627 x 1.00
38.	710-0216	Hex Cap Screw 3/8-16 x.75
39.	720-0426	Adjustment Knob
40.	748-0455	Bearing Support
41.	731-04643	Wheel Dust Cover
42.	715-0221	Pin
43.	717-1762	Spur Gear 14T - RH
	717-1761	Spur Gear 14T - LH
44.	732-04049	Ext. Spring.47 OD x 2.50
45.	734-2042	Front Wheel 8 x 2.125
46.	747-0710	Hinge Pin
47.	732-1014	Torsion Spring
48.	731-1034B	Side Discharge Assembly
49.	736-0270	Bell Washer.265 ID x.75 OD
50.	17032A	Deflector Chute Adapter
51.	710-0216	Hex Cap Screw 3/8-16 x.75
52.	741-0717	Thrust Brg.688 ID x 1.938 OD
53.	732-0984B	Spring Lever
54.	687-02080	Rear Pivot Arm Assy - RH
	687-02079	Rear Pivot Arm Assembly - LH
55.	738-1127	Shoulder Screw 3/8-16
56.	716-0865	Snap Ring.500
57.	734-04093	Rear Wheel 12 x 2.125
58.	631-04045	Mulching Baffle
59.	748-0390	Bearing Support Spacer
60.	731-0981A	Hub Cap (If Equipped)
61.	687-02052	Rear Hgt. Adj. Lever Assembly
62.	710-04329	Torx Screw
63.	715-0129	Spirol Pin
64.	715-04030	Dowel pin
65.	756-04132	Pulley, 3.82 x .313 x .68
66.	736-0105	Bell Washer, .325 x .930 x .45
67.	736-0182	Spring Washer, .500 x 1.00 x .022

8

Parts List



IMPORTANT

For a proper working machine, use Factory Approved Parts. **V-BELTS** are specially designed to engage and disengage safely. A substitute (non OEM) V-Belt can be dangerous by not disengaging completely.