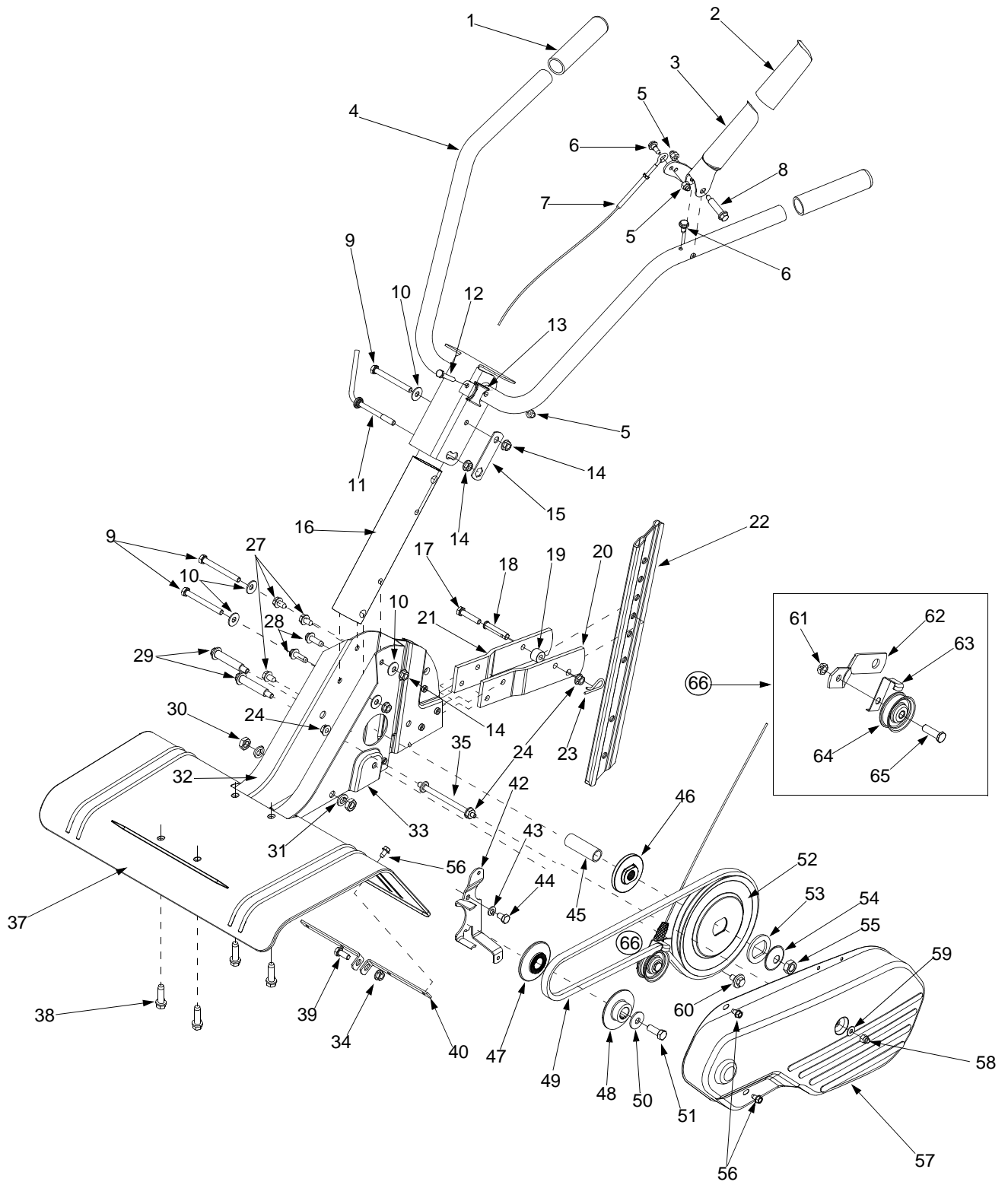


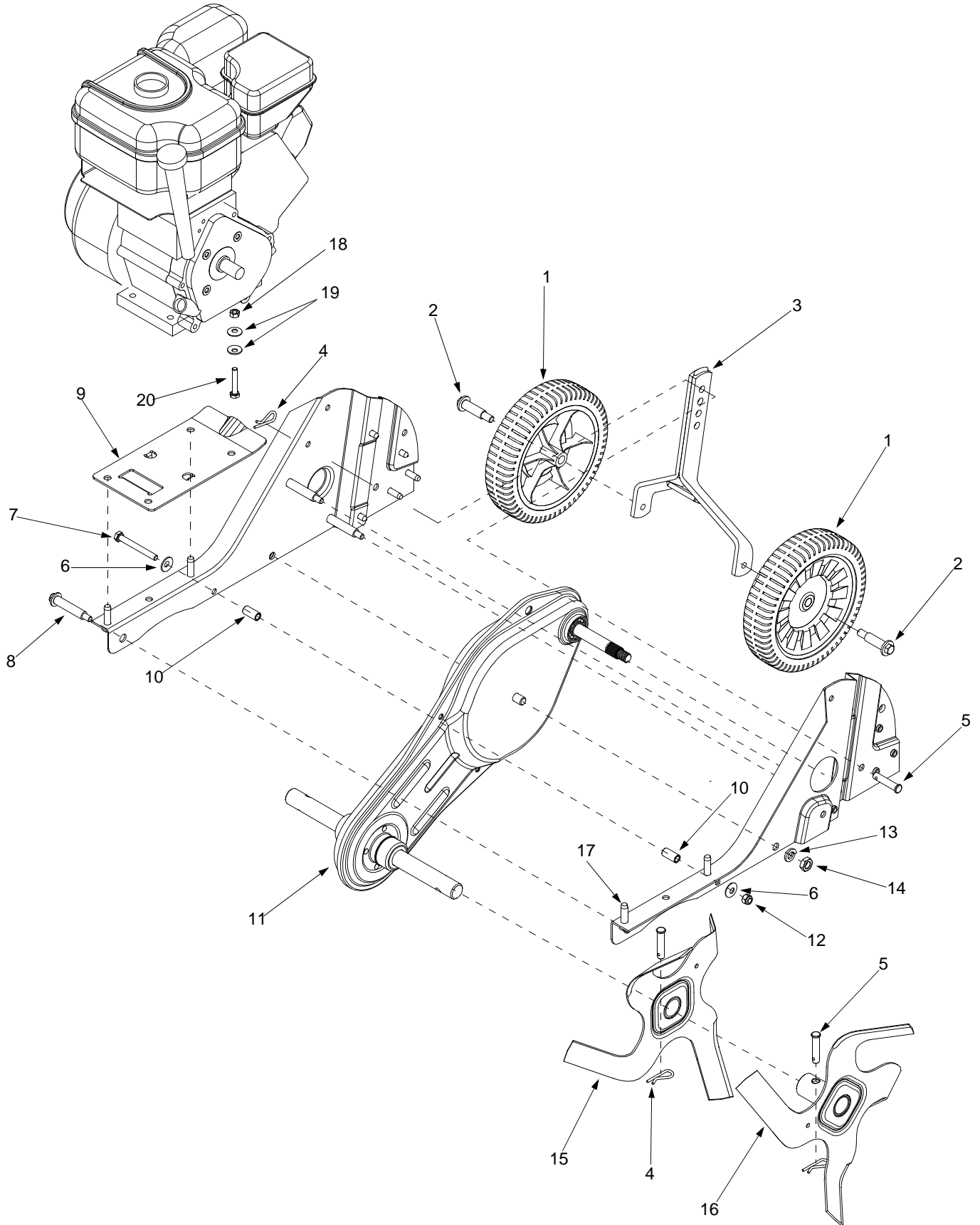
SECTION 8: MODEL SERIES 330 PARTS LIST



Model Series 330

Ref. No.	Part No.	Part Description	Ref. No.	Part No.	Part Description
1.	720-0274	Grip	35.	711-0919	Belt Cover Bolt
2.	731-0473	Clutch Grip	37.	786-0035A	Tine Shield 20"
3.	686-0002	Clutch Lever	38.	710-0502A	Hex Washer Screw 3/8-16 x 1.25
4.	649-0137	Handle Assembly	39.	710-3008	Hex Cap Screw 5/16-18
5.	712-0442	Lock Nut Cap 1/4-20	40.	786-0053	Tine Shield Bracket 20"
6.	738-1225	Shoulder Screw	42.	786-0039B	Cover Bracket
7.	746-1148	Clutch Cable	43.	736-0119	Lock Washer 5/16
8.	738-1226	Shoulder Screw	44.	710-0107	Hex Cap Screw 5/16-24 x.50
9.	710-0189	Hex Cap Screw 5/16-18 x 3.0	45.	750-0892	Input Spacer.64 ID x 2.4 Lg
10.	736-0242	Bell Washer.340 ID x.872 OD	46.	748-0350	Pulley Adapter
11.	786-0340	Adjustable Handle Crank	47.	756-0971	Engine Inner Half Pulley
12.	710-0606	Hex Cap Screw 1/4-20 x 1.5	48.	756-0972	Engine Outer Half Pulley
13.	719-0279	Rope Guide	49.	754-0428	Belt
14.	712-0720	Flange Nut 5/16-18	50.	736-0452	Bell Washer.396 ID x 1.140 OD
15.	786-0341	Retainer Bracket	51.	710-0152	Hex Cap Screw 3/8-24 x 1.0
16.	649-0136	Handle Tube	52.	756-0585	Flat Pulley
17.	710-0805	Hex Cap Screw 5/16-18 x 1.5	53.	736-0312	Retainer Bearing Washer
18.	711-0415	Clevis Pin 3/8 x 1.62	54.	736-0112	Spherical Washer.531 ID x.620 OD
19.	750-0890	Spacer	55.	712-3029	Jam Nut 1/2-20
20.	786-0003	Tailpiece Bracket LH	56.	710-0599	Hex Washer Screw 1/4-20 x.50
21.	786-0004	Tailpiece Bracket RH	57.	786-0056	Belt Cover
22.	786-0005	Depth Bar	58.	712-0392	Cap Lock Nut 1/4-28
23.	714-0149B	Cotter Pin	59.	736-3020	Flat Washer.271 ID x.630 OD
24.	712-3004A	Hex Flange Locknut 5/16-18	60.	738-0930	Shoulder Screw
27.	710-0604A	Hex Washer Screw 5/16-18 x.625	61.	712-0266	Jam Nut 3/8-16
28.	710-0602	Hex Washer Screw 5/16-18 x 1.0	62.	786-0144	Idler Bracket
29.	738-0934	Shoulder Screw	63.	786-0149	Idler Belt Keeper
30.	712-0240	Jam Nut 7/16-20	64.	756-0313	Flat Idler
31.	736-0171	Lock Washer 7/16	65.	710-0723	Hex Cap Screw 3/8-16 x 1.25
32.	786-0138A	Frame RH	66.	686-0088	Idler Bracket Assembly
33.	786-0139A	Frame LH			

Model Series 330



Model Series 330

Ref. No.	Part No.	Part Description	Ref. No.	Part No.	Part Description
1.	734-1781	Wheel 8 x 1.75	12.	712-0429	Hex Lock Nut 5/16-18
2.	738-0929	Shoulder Screw	13.	736-0171	Lock Washer 7/16
3.	686-0081A	Wheel Bracket Assembly	14.	712-0240	Jam Nut 7/16-20
4.	714-0149B	Cotter Pin	15.	642-0002	Inner Tine Assembly - RH 12"
5.	711-0415	Clevis Pin		642-0003	Inner Tine Assembly - LH 12"
6.	736-0242	Bell Washer.340 ID x.872 OD	16.	642-0004	Outer Tine Assembly -RH 12"
7.	710-0176	Hex Cap Screw 5/16-18 x 2.75		642-0005	Outer Tine Assembly - LH 12"
8.	738-0934	Shoulder Screw	17.	710-0502A	Hex Washer Screw 3/8-16 x 1.25
9.	786-0145A	Engine Mounting Plate	18.	712-3010†	Hex Nut 5/16-18
10.	750-0470	Spacer.47 OD x.96Lg	19.	736-0242†	Bell Washer.340 ID x.872 OD
11.	686-0091	Chain Case Assembly	20.	710-3180†	Hex Cap Screw 5/16-18 x 1.75

†If Equipped