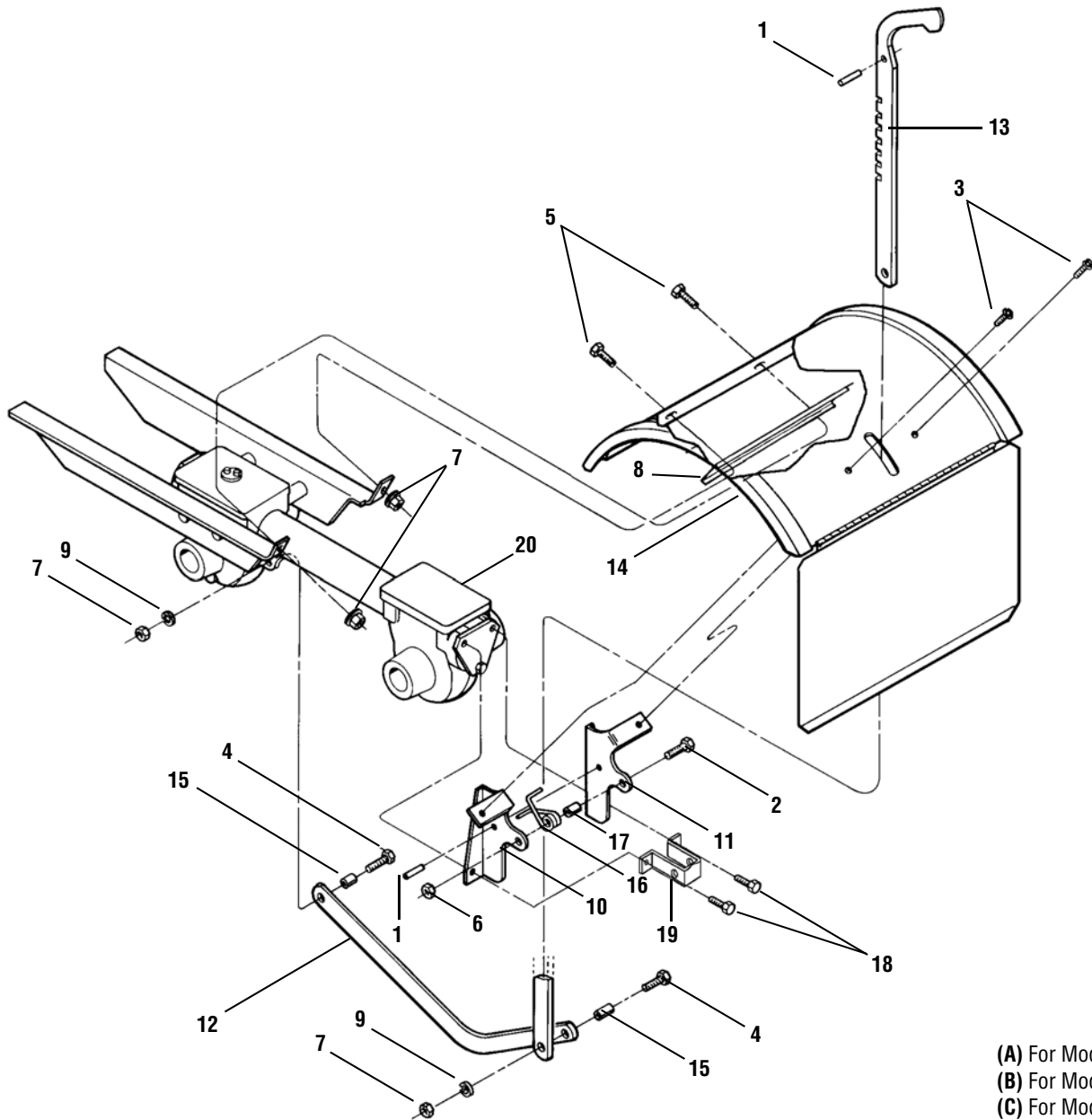


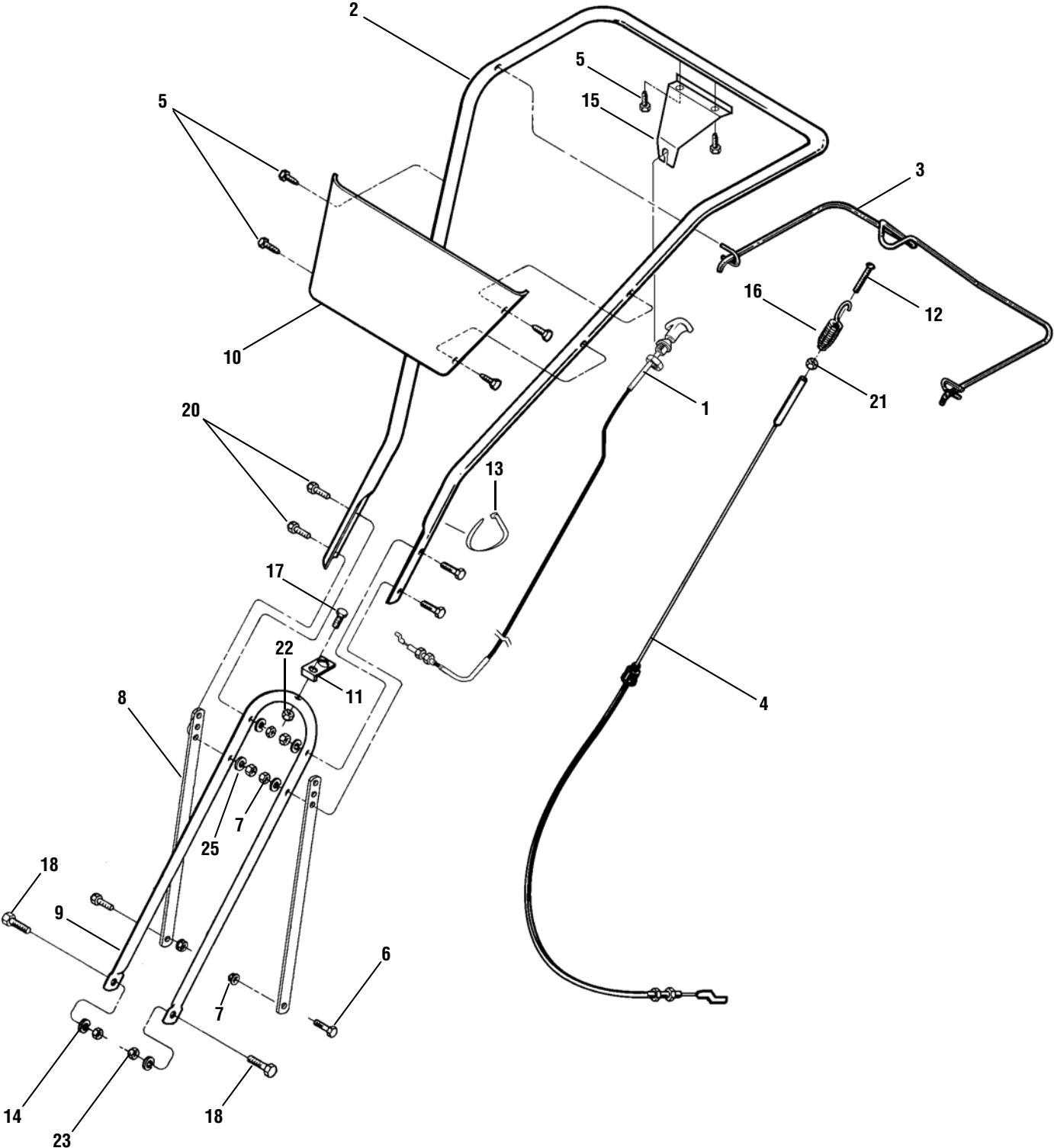
# SECTION 6: MODELS 630C, 634F & 634A PARTS LIST



(A) For Model 630C  
 (B) For Model 634F  
 (C) For Model 634A

REF NO.	PART NO.	DESCRIPTION	REF NO.	PART NO.	DESCRIPTION
1	1185469	Spirol Pin	12	GW-55015	Drag Bar
2	710-0597	Hex Hd. Screw, 1/4-20 x 1	13	GW-55018	Depth Regulator Lever
3	710-0599	Screw, Self-Tapping, 1/4-20 x 1/2	14	686-04041	Tine Hood Assembly (B) (C)
4	710-0874	Hex Hd. Screw, 5/16-18 x 1-1/4		686-04043	Tine Hood Assembly (A)
5	710-3008	Hex Hd. Screw, 5/16-18 x 3/4	15	GW-55088	Bushing
6	712-0324	Lock Nut, 1/4-20	16	GW-9384	Spring, Depth Regulator
7	712-0429	Lock Nut, 5/16-18	17	GW-9534	Spacer
8	1916707	Support Bracket	18	710-04048	Hex Hd. Flange Screw, 5/16-18 x 1
9	736-0119	Lock Washer, 5/16	19	786-04191	Trail Shield Stop Bracket
10	GW-55013-1	Hood Bracket, Left Hand	20	618-04000	Transmission Assembly (B) (C)
11	GW-55013-2	Hood Bracket, Right Hand		618-04001	Transmission Assembly (A)

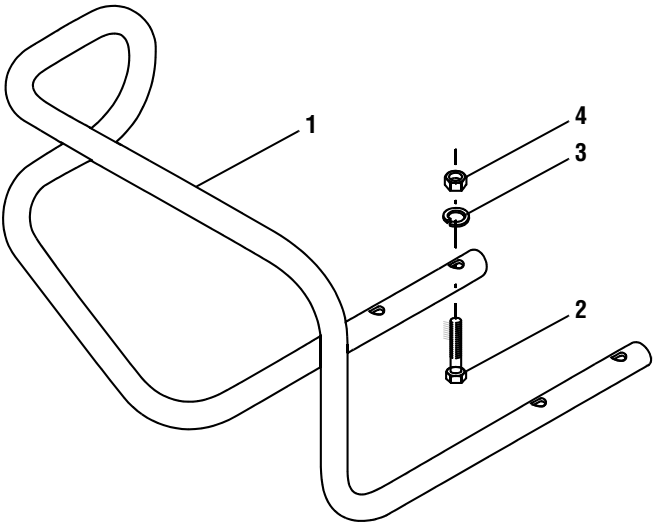
MODELS 630C, 634F & 634A



**MODELS 630C, 634F & 634A**

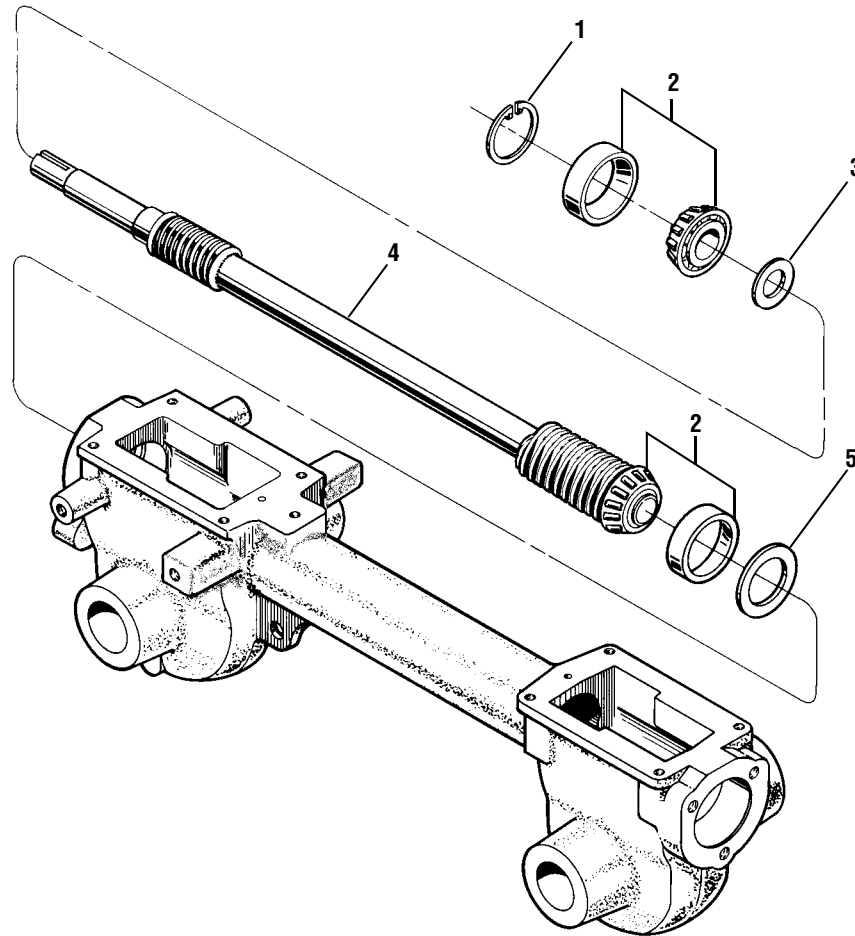
REF NO.	PART NO.	DESCRIPTION
1	1916719	Cable Assembly, Reverse Clutch <b>(B) (C)</b>
2	1916755	Upper Handlebar
3	747-04210	Bail, Forward Clutch
4	1918745	Cable Assembly, Forward Clutch
5	710-0599	Screw, Self-Tapping, 1/4-20 x 1/2
6	710-3008	Screw, Hex, 5/16-18 x 3/4
7	712-3009	Hex Lock Nut, 5/16-18
8	786-04188	Handlebar Support
9	GW-55043	Lower Handlebar
10	786-04200	Panel
11	GW-55044	Tab, Conduit Mount
12	GW-9855	Screw, #10-24 x 2
13	725-0157	Cable Tie
14	736-3050	Flat Washer, 3/8
15	786-04040	Bracket, Reverse Clutch Cable <b>(B) (C)</b>
16	732-04185	Spring, Forward Clutch
17	710-0106	Hex Hd. Screw, 1/4-20 x 1-1/4
18	710-0216	Screw, Hex, 3/8-16 x 3/4
20	710-0805	Screw, Hex, 5/16-18 x 1-1/2
21	712-0121	Hex Nut, #10-24
22	712-0291	Hex Lock Nut, 1/4-20
23	712-3000	Hex Nut, 3/8-16
25	736-0119	Lock Washer, 5/16

REF NO.	PART NO.	DESCRIPTION
1	1918749	Bumper <b>(C)</b>
2	710-0395	Hex Screw, 5/16-18 x 2-1/4 <b>(C)</b>
3	712-0267	Nut, Hex, 5/16-18 <b>(C)</b>
4	736-0119	Lock Washer, 5/16 <b>(C)</b>



**(A)** For Model 630C  
**(B)** For Model 634F  
**(C)** For Model 634A

**MODELS 630C, 634F & 634A**

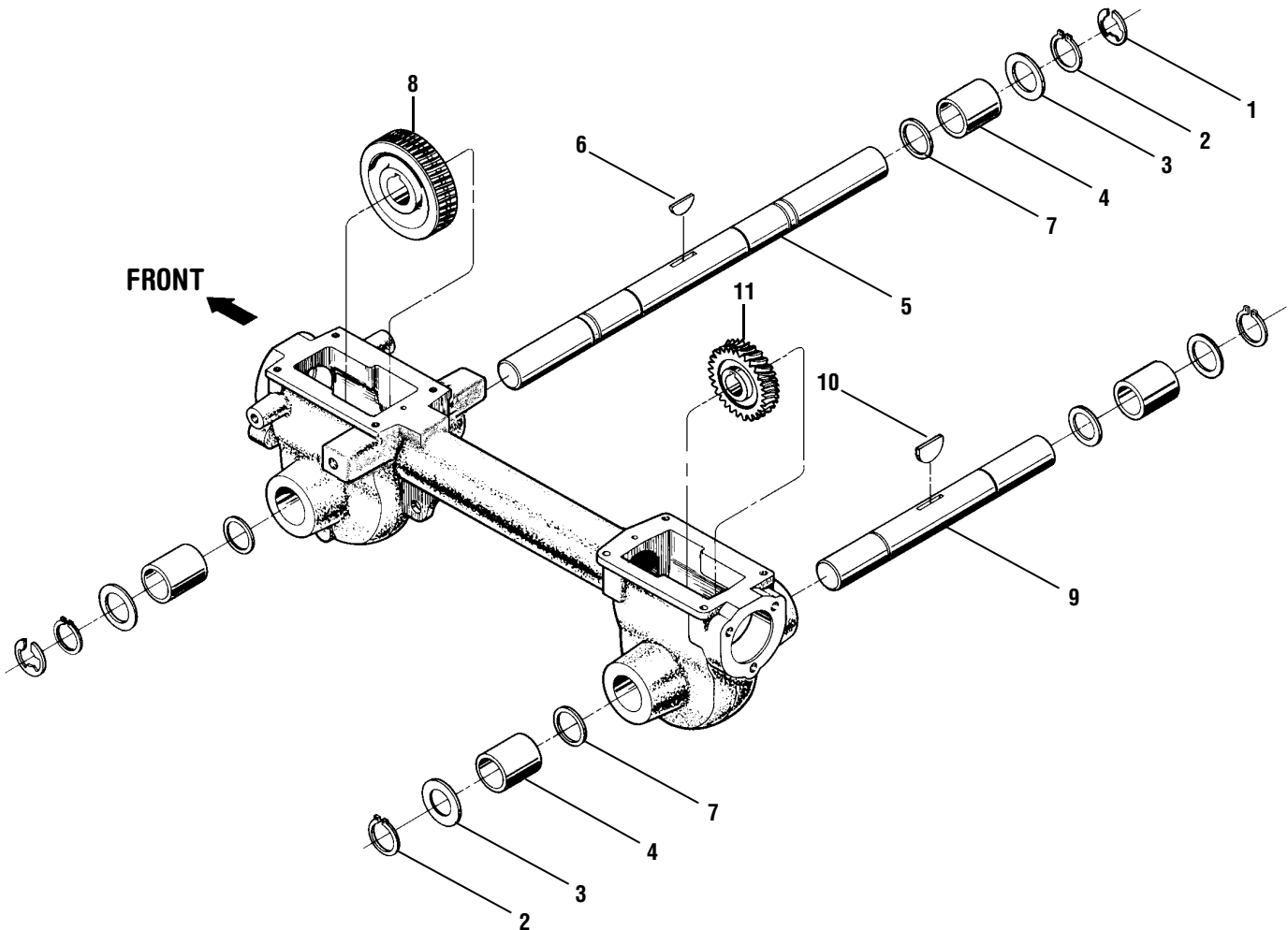


REF NO.	PART NO.	DESCRIPTION
1	GW-9517	Snap Ring
2	GW-1714	Bearing, Tapered Roller (with race)
3	GW-50043	Support Washer, Rear
4	711-04109	Drive Shaft <b>(A)</b> <b>(B)</b> <b>(C)</b>
5	GW-1224-1*	Shim, Rear Bearing Cap, .010" thick
	GW-1224-2*	Shim, same as above, except .030" thick
	GW-1224-3*	Shim, same as above, except .005" thick
	GW-1224-4*	Shim, same as above, except .062" thick
—	GW-1325C	Shim Set (Incl. the following shims: two #1224-1, two 1224-2 & one #1224-4)

**(A)** For Model 630C  
**(B)** For Model 634F  
**(C)** For Model 634A

\* Use as required to obtain between .005" and .015" allowable end-play.

**MODELS 630C, 634F & 634A**

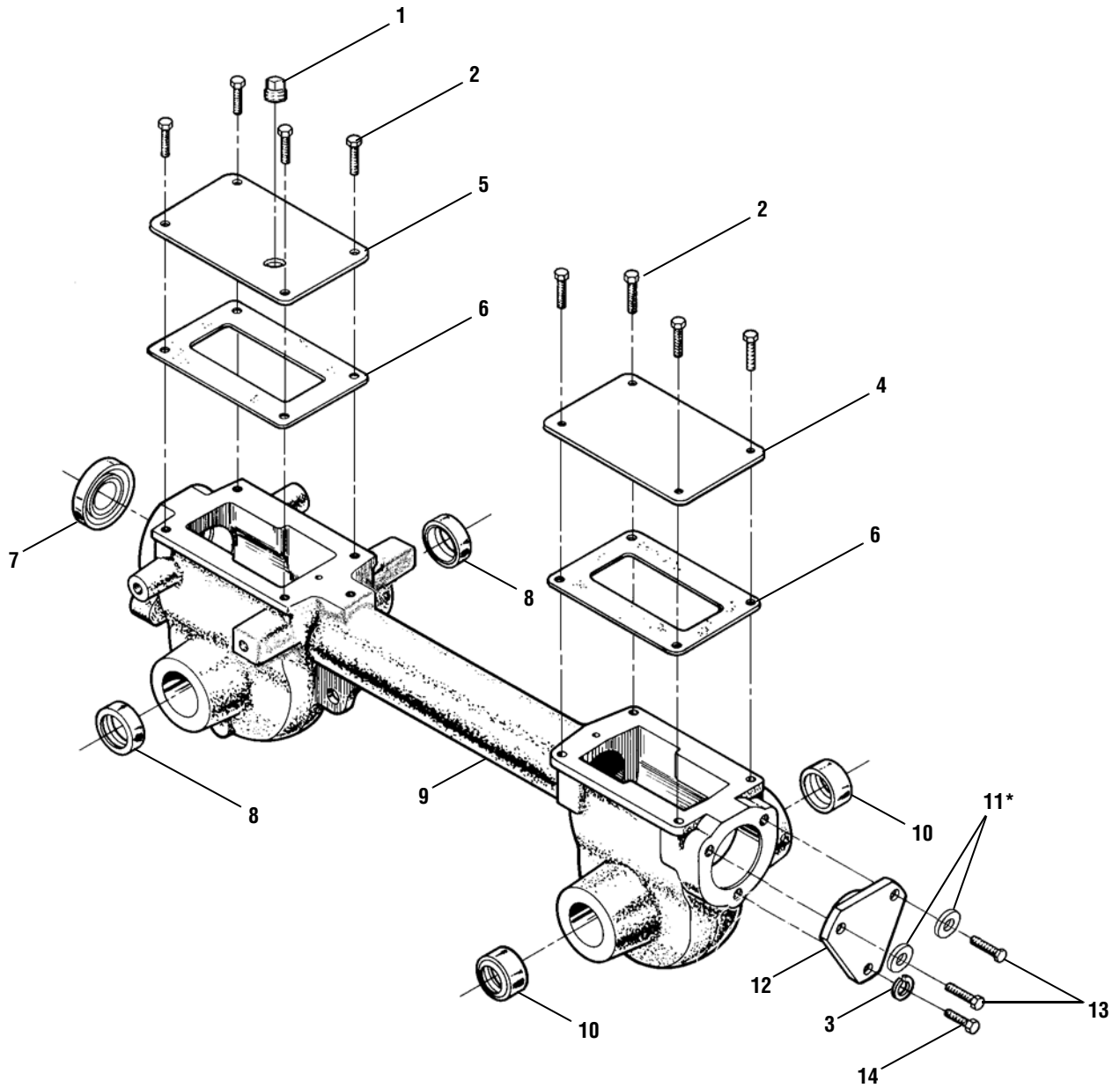


REF NO.	PART NO.	DESCRIPTION
1	GW-9512	Retainer, Snap Ring, "E" Type
2	1909950	Retainer, Snap Ring
3	GW-1166-1*	Shim, 0.062" thick
	GW-1166-2*	Shim, 0.030" thick
	GW-1166-3*	Shim, 0.015" thick
	GW-1166-4*	Shim, 0.010" thick
	GW-1166-5*	Shim, 0.005" thick
4	GW-1086	Bronze Bushing
5	711-04092	Wheel Shaft <b>(B) (C)</b>
	711-04088	Wheel Shaft <b>(A)</b>
6	GW-9305	Key, Hi-Pro, 1/4 x 1
7	GW-1132-2	Spacer
8	1904278	Worm Gear, Wheel Shaft
9	711-04078	Tiller Shaft
10	GW-1104	Woodruff Key
11	1904279	Worm Gear, Tiller Shaft

**(A)** For Model 630C  
**(B)** For Model 634F  
**(C)** For Model 634A

\* Use as required to obtain between .005" and .030" allowable end-play.

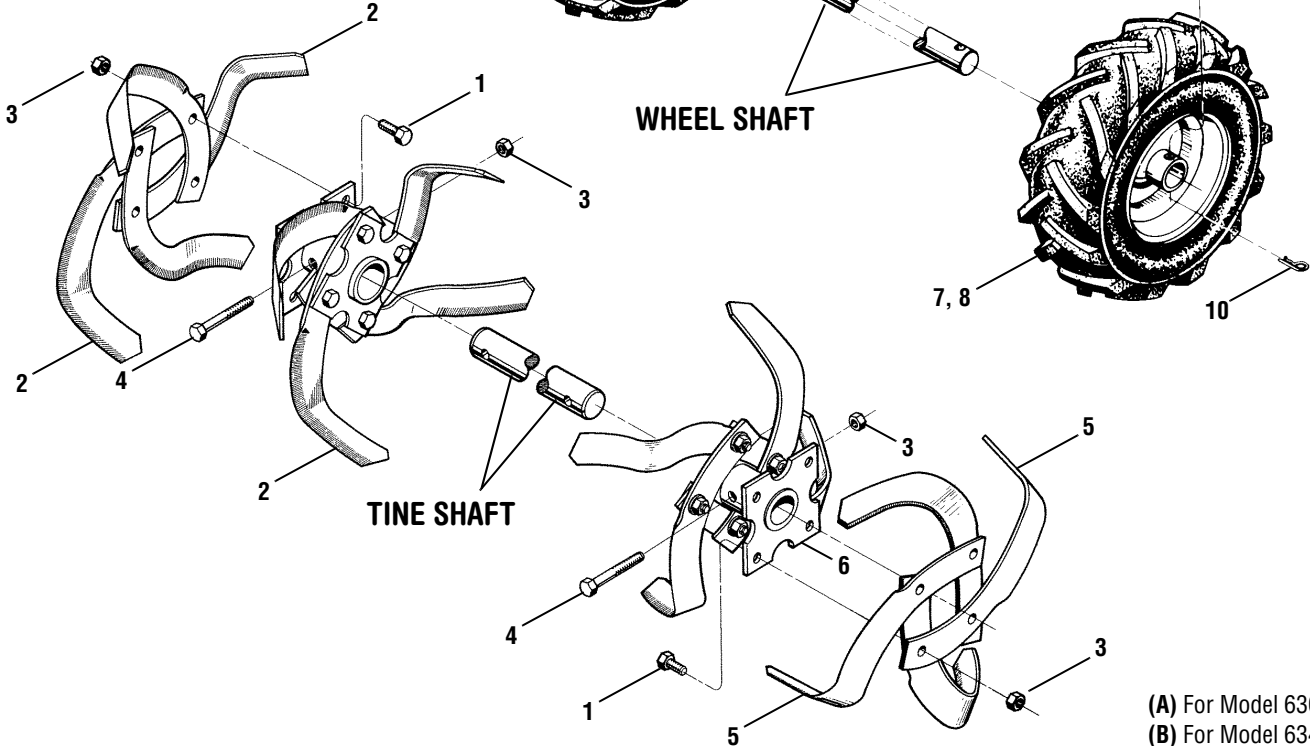
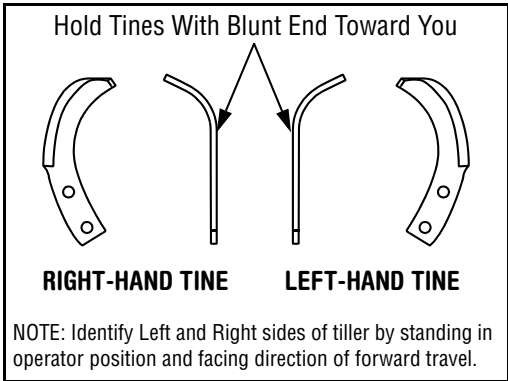
# MODELS 630C, 634F & 634A



\* Included with transmission when purchased as an assembly only. Remove and discard when installing the transmission on tiller.

REF NO.	PART NO.	DESCRIPTION	REF NO.	PART NO.	DESCRIPTION
1	GW-9727	Plug, Transmission Oil Fill	8	721-04031	Oil Seal, Wheel Shaft
2	710-04049	Hex Hd. Flange Screw, 5/16-18 x 5/8, Gr. 5	9	619-04013	Transmission Housing Assembly
3	736-0119	Lock Washer, 5/16	10	721-04036	Oil Seal, Tine Shaft
4	1918377	Rear Cover, Transmission	11	736-3008*	Washer, Flat, .344 x .750 x .120
5	1916641	Front Cover, Transmission	12	718-04008	Rear Bearing Cap
6	GW-50032	Gasket, Housing Cover	13	710-04048	Hex Hd. Flange Screw, 5/16-18 x 1
7	714-04030	Oil Seal, Drive Shaft	14	710-3008	Hex Hd. Flange Screw, 5/16-18 x 3/4

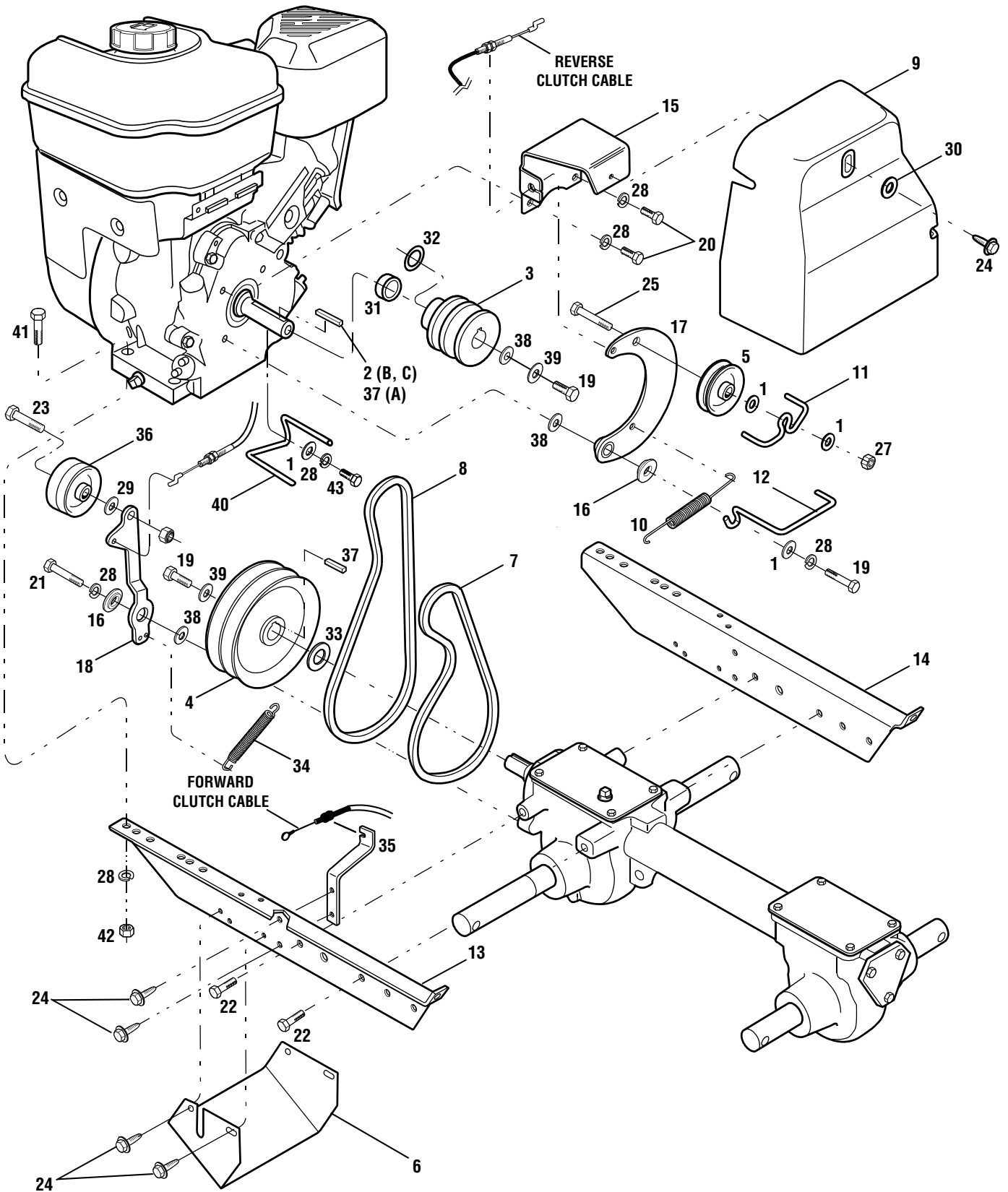
**MODELS 630C, 634F & 634A**



(A) For Model 630C  
 (B) For Model 634F  
 (C) For Model 634A

REF NO.	PART NO.	DESCRIPTION	REF NO.	PART NO.	DESCRIPTION
1	710-0514	Hex Hd. Screw, 3/8-16 x 1, Grade 5	10	GW-9338	Hair Pin Cotter
2	GW-50049-02	Single Bolo Tine - Left Hand (A) (B) (C)	—	GW-1901	Bolo Tine Replacement Set (Incl. eight right-hand tines, eight left-hand tines and required hardware. (A) (B) (C)
3	712-3000	Hex Lock Nut, 3/8-16	—	642-0029	Left Hand Tine Assembly (Incl. one tine holder and eight tines, assembled) (B) (C)
4	710-0347	Hex Hd. Screw, 3/8-16 x 1-3/4	—	642-0030	Right Hand Tine Assembly (Incl. one tine holder and eight tines, assembled) (B) (C)
5	GW-50049-01	Single Bolo Tine - Right Hand (A) (B) (C)	—	642-0031	Left Hand Tine Assembly (Incl. one tine holder and eight tines, assembled) (A)
6	1916747	Tine Holder (B) (C)	—	642-0032	Right Hand Tine Assembly (Incl. one tine holder and eight tines, assembled) (A)
	1915075	Tine Holder (A)			
7	1917486	Wheel & Tire Ass'y — Left/Right Side(B)			
	1917487	Wheel & Tire Ass'y — Left/Right Side (C)			
	GW-55095-01	Wheel & Tire Ass'y — Left Side Only (A)			
8	GW-55095-02	Wheel & Tire Ass'y — Right Side Only (A)			
9	GW-9380	Clevis Pin, .312" x 1-3/4"			

**MODELS 630C, 634F & 634A**





**MODELS 630C, 634F & 634A**

<b>REF NO.</b>	<b>PART NO.</b>	<b>DESCRIPTION</b>
1	736-0159	Flat Washer, 5/16
2	714-0139	Key, 3/16" x 2" <b>(B) (C)</b>
3	1916531	Pulley, Engine Drive <b>(B) (C)</b>
	GW-55035	Pulley, Engine Drive <b>(A)</b>
4	1916532	Transmission Pulley <b>(B) (C)</b>
	GW-55031	Transmission Pulley
5	1916535	Pulley, Reverse Idler <b>(B) (C)</b>
6	1916652	Guard, Belts/Pulleys
7	1916657	Forward Drive Belt <b>(B) (C)</b>
	GW-55037	Forward Drive Belt <b>(A)</b>
8	1916658	Reverse Drive Belt <b>(B) (C)</b>
9	1916660	Belt Cover
10	1916724	Reverse Return Spring <b>(B) (C)</b>
11	1916725	Belt Guide <b>(B) (C)</b>
12	1916726	Forward Belt Guide <b>(B) (C)</b>
13	1916794	Engine Bracket, Left
14	1916795	Engine Bracket, Right
15	1917326	Bracket, Belt Cover
16	1917746	Shoulder Washer
17	1918731	Reverse Idler Arm <b>(B)(C)</b>
18	1918744	Forward Idler Lever
19	710-0117	Hex Hd. Screw, 5/16-24 x 1 <b>(B) (C)</b>
20	710-0237	Hex Hd. Screw, 5/16-24 x 5/8
21	710-0376	Hex Hd. Screw, 5/16-18 x 1
22	710-04049	Hex Hd. Screw, 5/16-18 x 5/8
23	710-0520	Hex Hd. Screw, 3/8-16 x 1-1/2
24	710-0599	Screw, Self-Tapping, 1/4-20 x 1/2
25	710-3103	Hex Hd. Screw, 5/16-18 x 2 <b>(B) (C)</b>
26	712-3000	Lock Nut, 3/8-16
27	712-3009	Lock Nut, 5/16-18 <b>(B) (C)</b>
28	736-0119	Lock Washer, 5/16
29	736-3050	Flat Washer, 3/8
30	736-3090	Flat Washer
31	748-04026	Spacer <b>(A)</b>
32	GW-1138-2	Shim
33	GW-50027	Support Washer
34	GW-55034	Forward Return Spring
35	GW-55049	Bracket, Cable Mounting
36	GW-9090	Forward Idler Pulley
37	GW-9301	Key, 3/16" x 1"
38	736-3078	Flat Washer
39	GW-9944	Belleville Washer
40	GW-55039	Forward Belt Guide <b>(A)</b>
41	710-0805	Hex Hd. Screw, 5/16-18 x 1-1/2 <b>(A)</b>
42	712-3010	Hex Nut, 5/16-18 <b>(A)</b>
43	710-0157	Hex Hd. Screw, 5/16-24 x 3/4 <b>(A)</b>

**(A)** For Model 630C  
**(B)** For Model 634F  
**(C)** For Model 634A