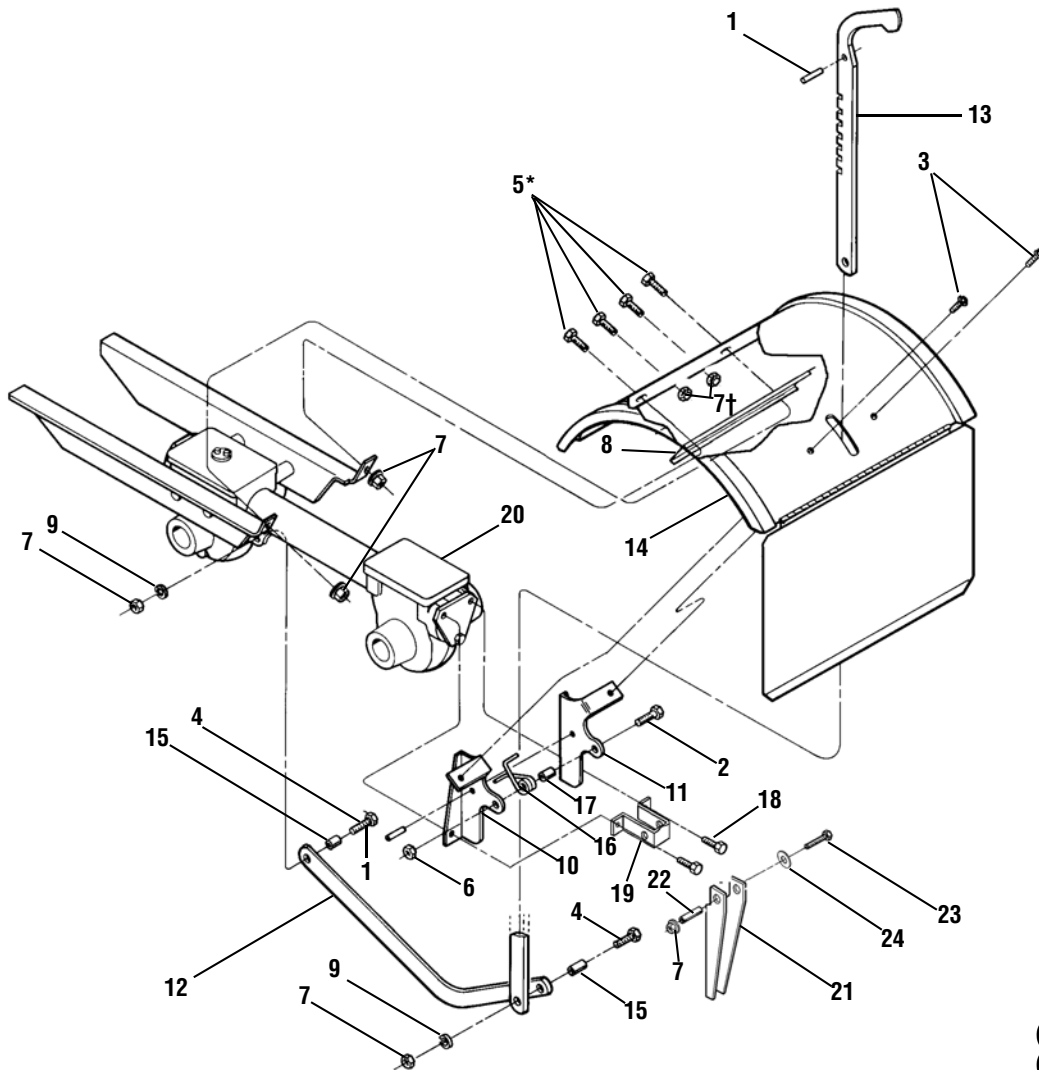


SECTION 6: MODELS 630C & 634A PARTS LIST



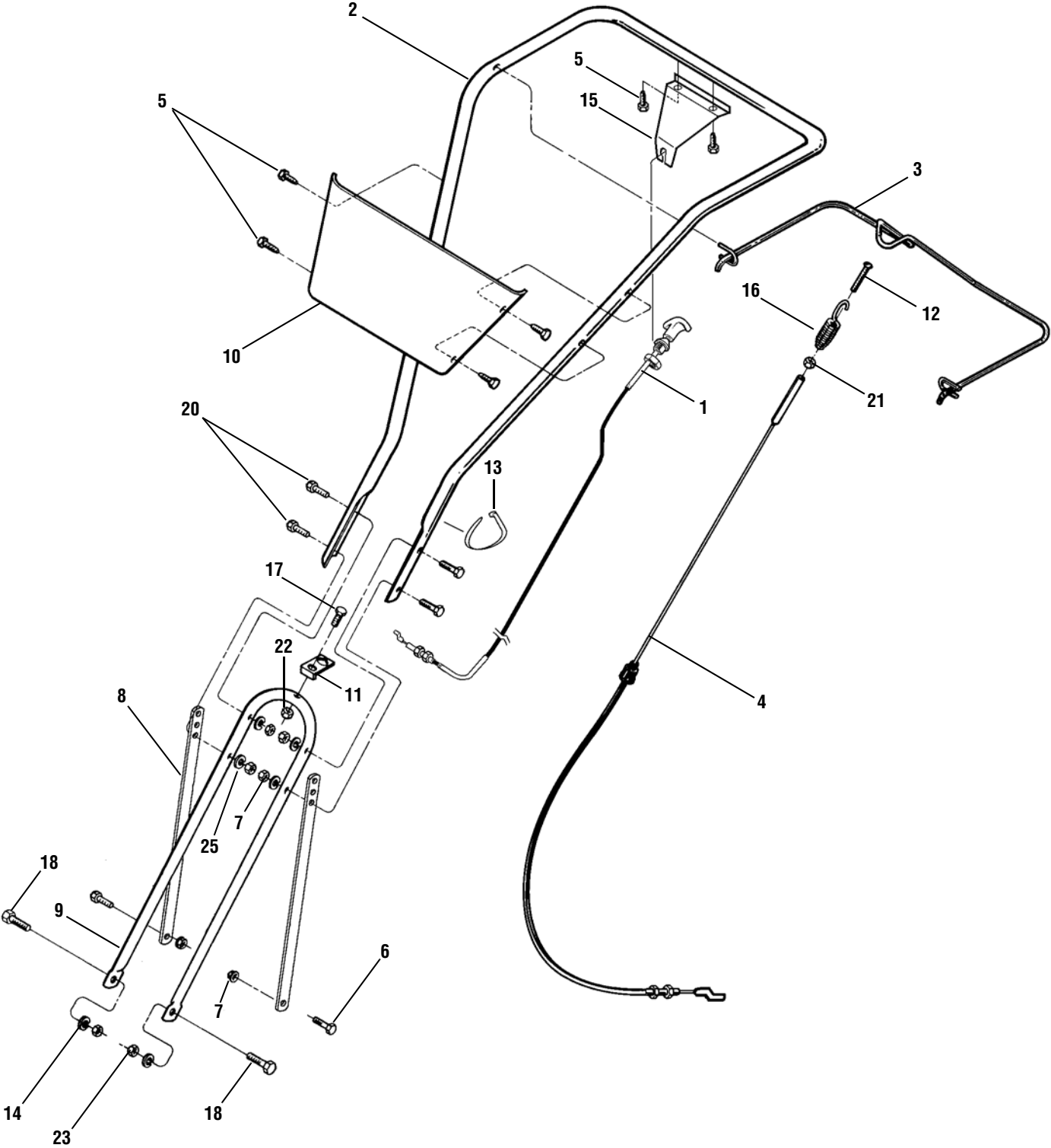
(A) For Model 630C
(B) For Model 634A

REF NO.	PART NO.	DESCRIPTION	REF NO.	PART NO.	DESCRIPTION
1	1185469	Spirol Pin (B)	13	GW-55018	Depth Regulator Lever
	715-0108	Spirol Pin (A)	14	686-04041	Tine Hood Assembly (B)
2	710-0597	Hex Hd. Screw, 1/4-20 x 1		686-04043	Tine Hood Assembly (A)
3	710-0599	Screw, Self-Tapping, 1/4-20 x 1/2	15	GW-55088	Bushing
4	710-0874	Hex Hd. Screw, 5/16-18 x 1-1/4	16	GW-9384	Spring, Depth Regulator
5	710-3008*	Hex Hd. Screw, 5/16-18 x 3/4	17	GW-9534	Spacer
6	712-0324	Lock Nut, 1/4-20 (B)	18	710-04048	Hex Hd. Flange Screw, 5/16-18 x 1
	712-04064	Flange Lock Nut, 1/4-20 (A)	19	786-04191	Trail Shield Stop Bracket
7	712-0429 †	Lock Nut, 5/16-18 (B)	20	618-04000	Transmission Assembly (B)
	712-04063	Flange Lock Nut, 5/16-18 (A)		618-04254	Transmission Assembly (A)
8	1916707	Support Bracket	21	1916570	Reverse Stop Arm (A)
9	736-0119	Lock Washer, 5/16 (B)	22	1916771	Split Spacer, .462 x .328 x 1.63 (A)
10	GW-55013-1	Hood Bracket, Left Hand	23	710-0395	Screw, 5/16-18 x 2.25 (A)
11	GW-55013-2	Hood Bracket, Right Hand	24	736-0275	Flat Washer, .344 x .688 x .065 (A)
12	GW-55015	Drag Bar			

* 4 on Model 634A

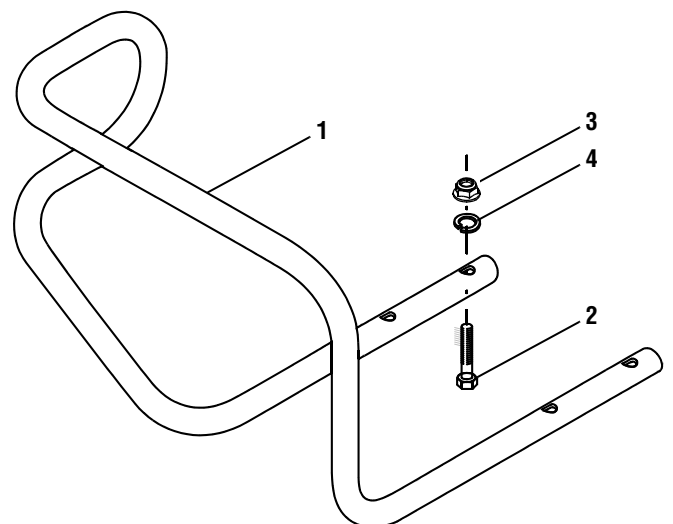
† 6 on Model 634A

MODELS 630C & 634A



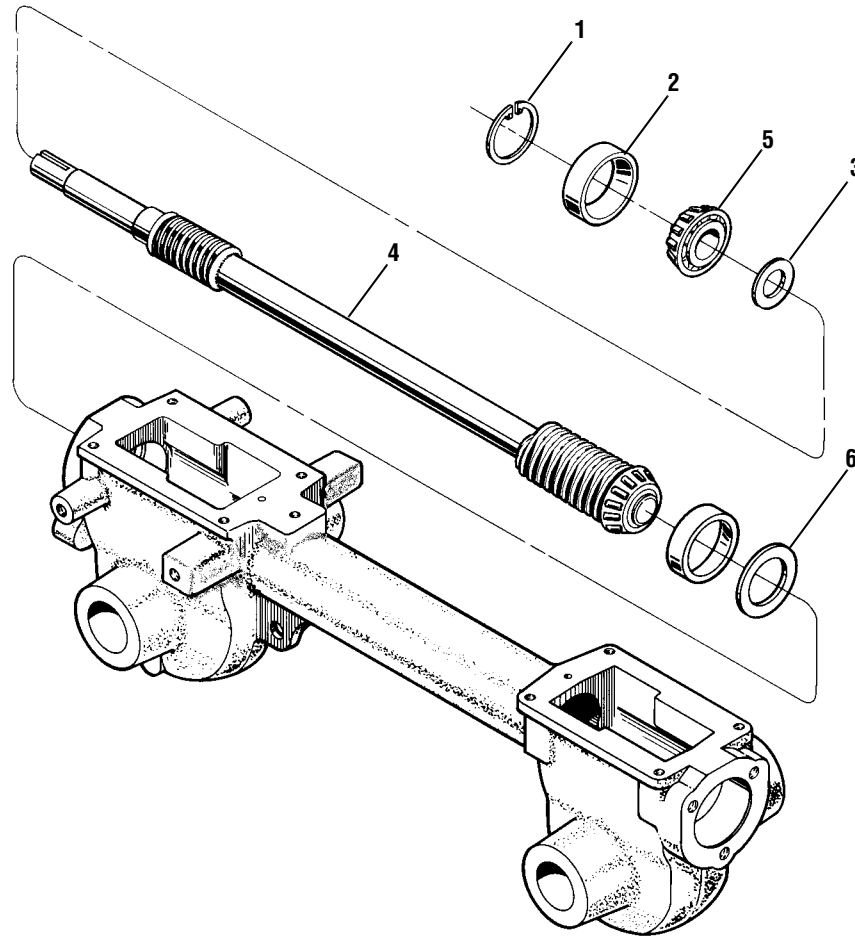
REF NO.	PART NO.	DESCRIPTION
1	1916719	Cable Assembly, Reverse Clutch (B)
2	1916755	Upper Handlebar
3	747-04210	Bail, Forward Clutch
4	1918745	Cable Assembly, Forward Clutch
5	710-0599	Screw, Self-Tapping, 1/4-20 x 1/2
6	710-3008	Screw, Hex, 5/16-18 x 3/4
7	712-3009	Hex Lock Nut, 5/16-18
8	786-04188	Handlebar Support
9	GW-55043	Lower Handlebar
10	786-04200	Panel
11	GW-55044	Tab, Conduit Mount
12	GW-9855	Screw, #10-24 x 2
13	725-0157	Cable Tie
14	736-3050	Flat Washer, 3/8
15	786-04040	Bracket, Reverse Clutch Cable (B)
16	732-04185	Spring, Forward Clutch
17	710-0106	Hex Hd. Screw, 1/4-20 x 1-1/4
18	710-0216	Screw, Hex, 3/8-16 x 3/4
20	710-0805	Screw, Hex, 5/16-18 x 1-1/2
21	712-0121	Hex Nut, #10-24
22	712-0291	Hex Lock Nut, 1/4-20
23	712-3000	Hex Nut, 3/8-16
25	736-0119	Lock Washer, 5/16

REF NO.	PART NO.	DESCRIPTION
1	749-04193	Bumper (B)
2	710-0395	Hex Screw, 5/16-18 x 2-1/4 (B)
3	712-04063	Nut, Flange Lock, 5/16-18 (B)
4	726-0201	Speed Nut (B)



(A) For Model 630C
(B) For Model 634A

MODELS 630C & 634A



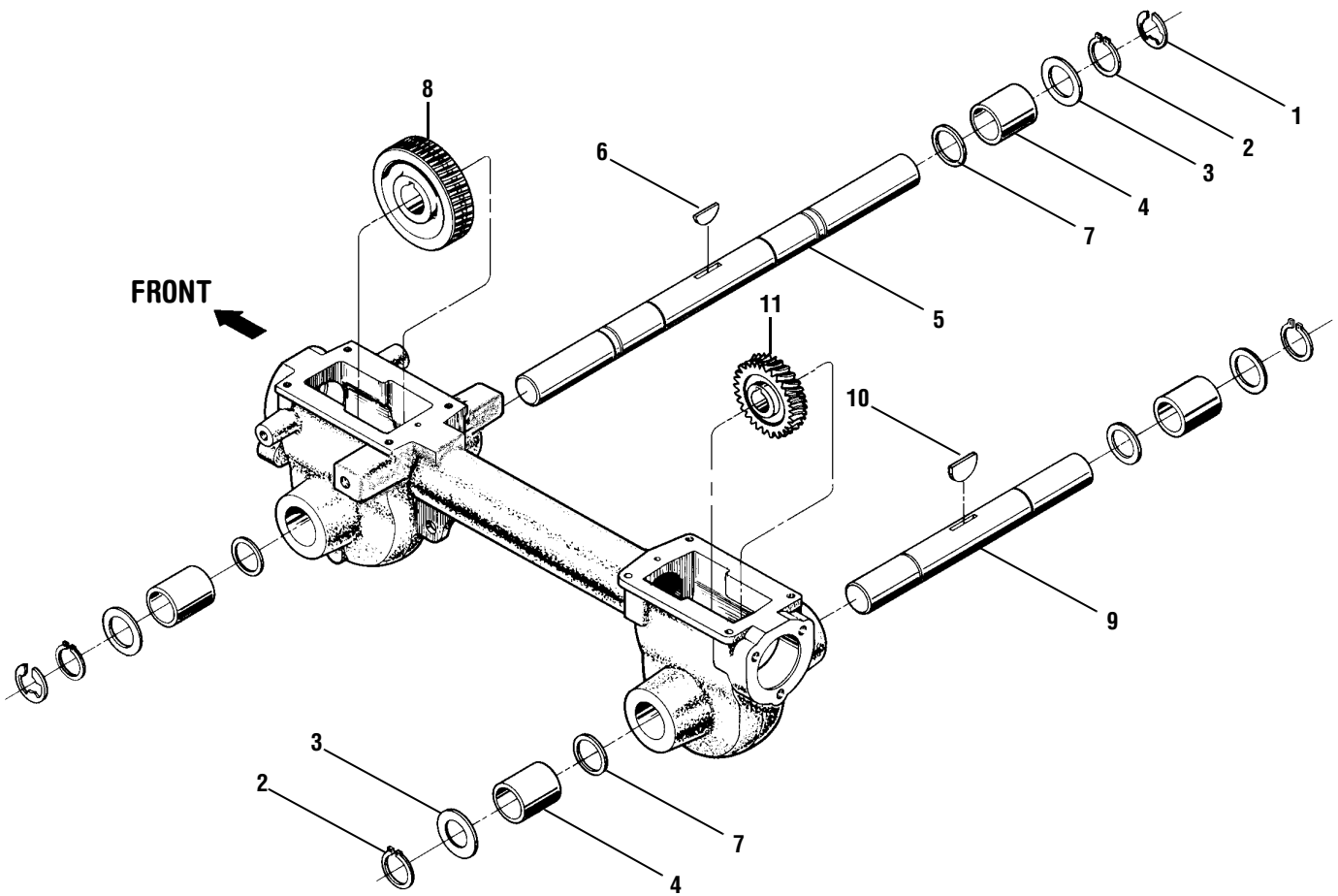
REF NO.	PART NO.	DESCRIPTION
1	GW-9517	Snap Ring
2	GW-9400	Drive Shaft Bearing Cup
3	GW-50043	Support Washer, Rear
4	711-04109	Drive Shaft (B)
	711-04110	Drive Shaft (A)
5	GW-9401	Drive Shaft Bearing Cone
6	GW-1224-1*	Shim, Rear Bearing Cap,.010" thick
	GW-1224-2*	Shim, same as above, except.030" thick
	GW-1224-3*	Shim, same as above, except.005" thick
	GW-1224-4*	Shim, same as above, except.062" thick
—	GW-1325C	Shim Set (Incl. the following shims: two #1224-1, two 1224-2 & one #1224-4)

(A) For Model 630C

(B) For Model 634A

* Use as required to obtain between .005" and .015" allowable end-play.

MODELS 630C & 634A

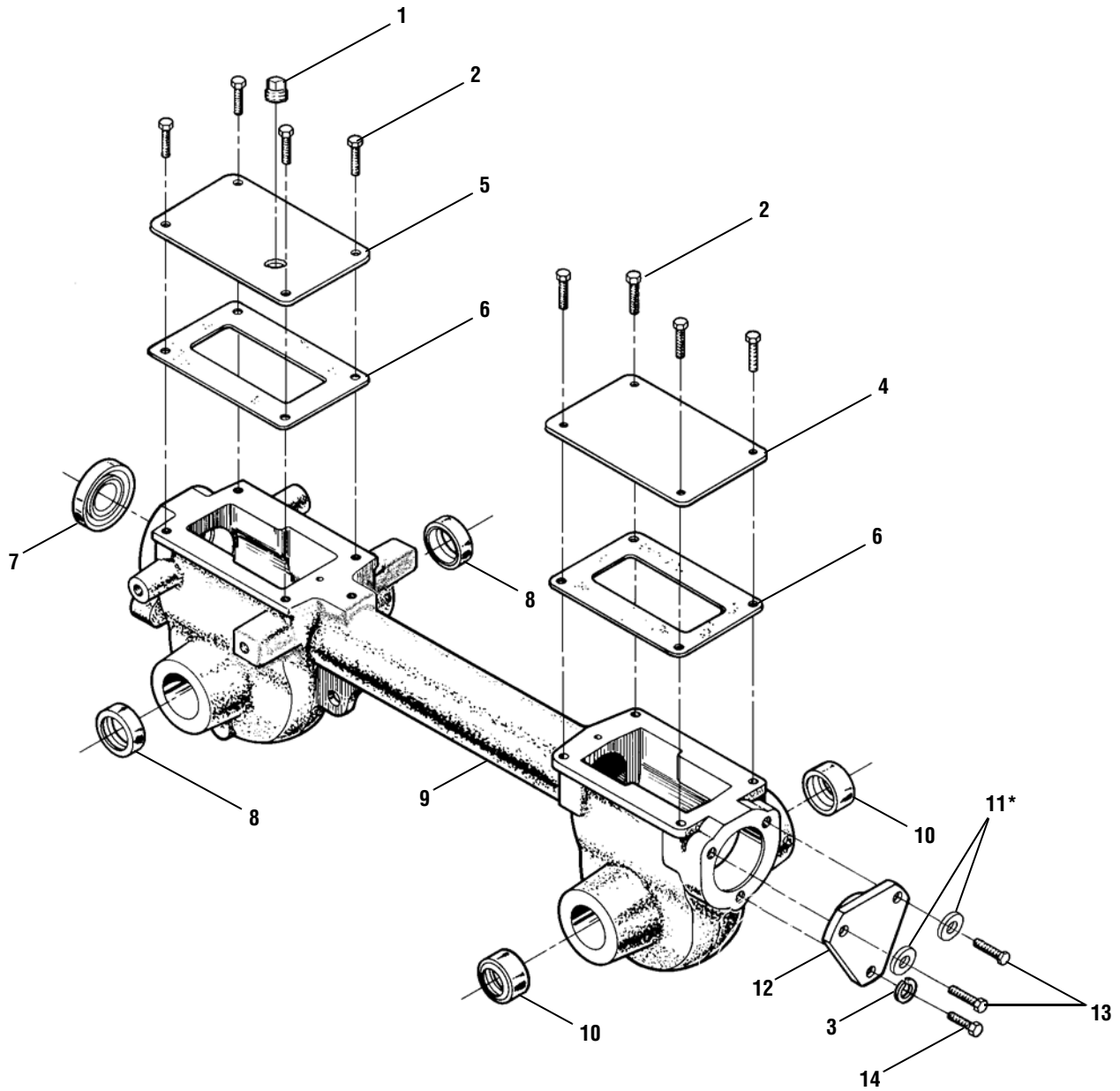


REF NO.	PART NO.	DESCRIPTION
1	GW-9512	Retainer, Snap Ring, "E" Type
2	1909950	Retainer, Snap Ring
3	GW-1166-1*	Shim, 0.062" thick
	GW-1166-2*	Shim, 0.030" thick
	GW-1166-3*	Shim, 0.015" thick
	GW-1166-4*	Shim, 0.010" thick
	GW-1166-5*	Shim, 0.005" thick
4	GW-1086	Bronze Bushing
5	711-04092	Wheel Shaft (B)
	711-04088	Wheel Shaft (A)
6	GW-9305	Key, Hi-Pro, 1/4 x 1
7	GW-1132-2	Spacer
8	1904278	Worm Gear, Wheel Shaft
9	711-04078	Tiller Shaft
10	GW-1104	Woodruff Key
11	1904279	Worm Gear, Tiller Shaft (B)
	1916542	Worm Gear, Tiller Shaft (A)

(A) For Model 630C
(B) For Model 634A

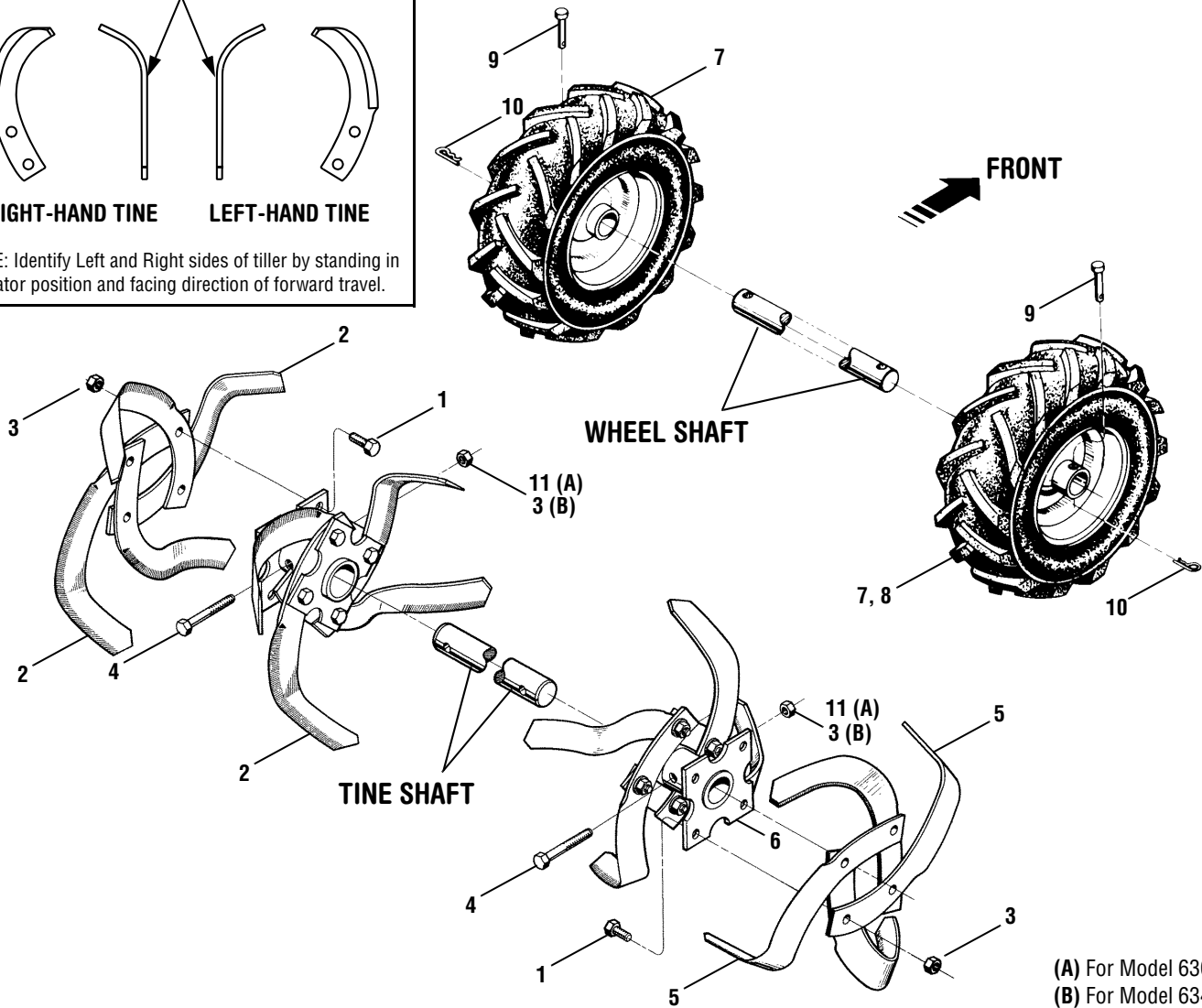
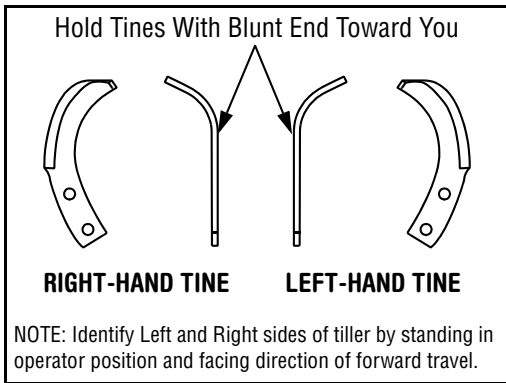
* Use as required to obtain between .005" and .030" allowable end-play.

MODELS 630C & 634A



* Included with transmission when purchased as an assembly only. Remove and discard when installing the transmission on tiller.

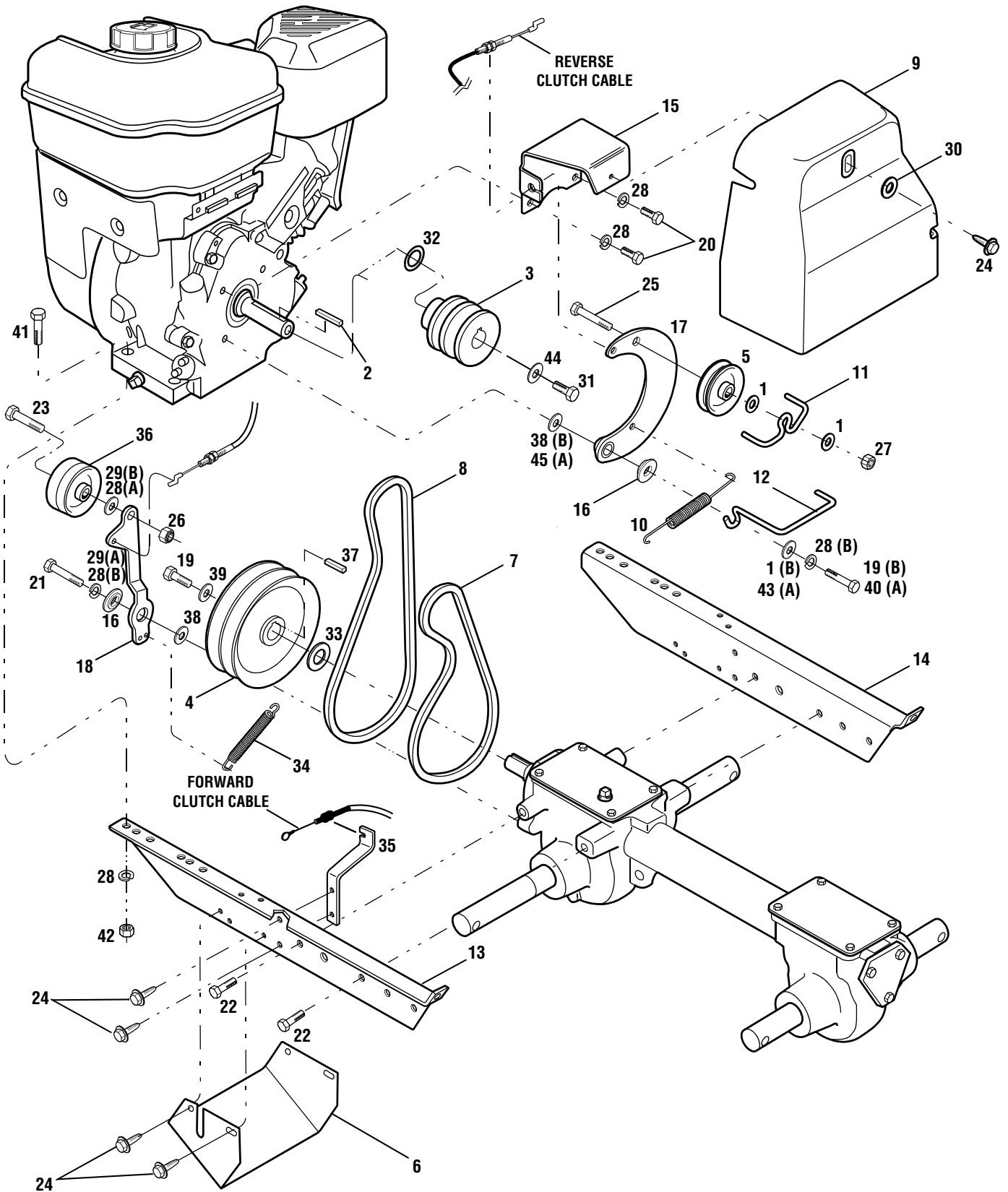
REF NO.	PART NO.	DESCRIPTION	REF NO.	PART NO.	DESCRIPTION
1	GW-9727	Plug, Transmission Oil Fill	8	721-04031	Oil Seal, Wheel Shaft
2	710-04049	Hex Hd. Flange Screw, 5/16-18 x 5/8, Gr. 5	9	619-04013	Transmission Housing Assembly
3	736-0119	Lock Washer, 5/16	10	721-04036	Oil Seal, Tine Shaft
4	1918377	Rear Cover, Transmission	11	736-3008*	Washer, Flat, .344 x .750 x .120
5	1916641	Front Cover, Transmission	12	718-04008	Rear Bearing Cap
6	GW-50032	Gasket, Housing Cover	13	710-04048	Hex Hd. Flange Screw, 5/16-18 x 1
7	721-04030	Oil Seal, Drive Shaft	14	710-3008	Hex Hd. Flange Screw, 5/16-18 x 3/4



(A) For Model 630C
(B) For Model 634A

REF NO.	PART NO.	DESCRIPTION	REF NO.	PART NO.	DESCRIPTION
1	710-0514	Hex Hd. Screw, 3/8-16 x 1, Grade 5		734-04162	Wheel & Tire Ass'y — Left Side Only (A)
2	GW-50049-02	Single Bolo Tine - Left Hand (A) (B)	8	734-04161	Wheel & Tire Ass'y — Right Side Only (A)
3	712-3000	Hex Lock Nut, 3/8-16	9	GW-9380	Clevis Pin, .312" x 1-3/4"
4	710-0347	Hex Hd. Screw, 3/8-16 x 1-3/4	10	GW-9338	Hair Pin Cotter
5	GW-50049-01	Single Bolo Tine - Right Hand (A) (B)	11	712-04065	Flange Lock Nut, 3/8-16 (A)
6	1916747	Tine Holder (B)	—	GW-1901	Bolo Tine Replacement Set (Incl. eight right-hand tines, eight left-hand tines and required hardware. (A) (B)
	1915075	Tine Holder (A)			
7	1917487	Wheel & Tire Ass'y — Left/Right Side (B)			

MODELS 630C & 634A



REF NO.	PART NO.	DESCRIPTION
1	736-0159	Flat Washer, 5/16 (B)
2	714-0139	Key, 3/16" x 2"
3	1916531	Pulley, Engine Drive
4	1916532	Transmission Pulley (B)
	656-04023	Transmission Pulley (A)
5	1916535	Pulley, Reverse Idler (B)
6	1916652	Guard, Belts/Pulleys
7	1916657	Forward Drive Belt
8	1916658	Reverse Drive Belt (B)
9	1916660	Belt Cover
10	1916724	Reverse Return Spring (B)
11	1916725	Reverse Belt Guide (B)
12	1916726	Forward Belt Guide
13	1916794	Engine Bracket, Left
14	1916795	Engine Bracket, Right
15	1917326	Bracket, Belt Cover
16	1917746	Shoulder Washer
17	1918731	Reverse Idler Arm (B)
18	1918744	Forward Idler Lever
19	710-0117	Hex Hd. Screw, 5/16-24 x 1
20	710-0237	Hex Hd. Screw, 5/16-24 x 5/8
21	710-0376	Hex Hd. Screw, 5/16-18 x 1
22	710-04049	Hex Hd. Screw, 5/16-18 x 5/8
23	710-0520	Hex Hd. Screw, 3/8-16 x 1-1/2
24	710-0599	Screw, Self-Tapping, 1/4-20 x 1/2
25	710-3103	Hex Hd. Screw, 5/16-18 x 2 (B)
26	712-3000	Lock Nut, 3/8-16
27	712-3009	Lock Nut, 5/16-18 (B)
28	736-0119	Lock Washer, 5/16
29	736-3050	Flat Washer, 3/8
30	736-3090	Flat Washer
31	710-0151	Hex Hd. Screw, 3/8-24 x 2.00
32	GW-1138-2	Shim (B)
	736-0315	Flat Washer,.75 x 1.5 x.125 (A)
33	GW-50027	Support Washer
34	GW-55034	Forward Return Spring
35	GW-55049	Bracket, Cable Mounting
36	GW-9090	Forward Idler Pulley
37	GW-9301	Key, 3/16" x 1"
38	736-3078	Flat Washer
39	GW-9944	Belleville Washer
40	710-0672	Hex Hd. Screw, 5/16-24 x 1.25 (A)
41	710-0805	Hex Hd. Screw, 5/16-18 x 1-1/2 (A)
42	712-3010	Hex Nut, 5/16-18 (A)
43	736-0242	Bell Washer,.340 x.872 x.060 (A)
44	736-0452	Bell Washer,.396 x 1.140 x.095
45	750-0258	Spacer,.315 x.750 x 375 Lg (A)

(A) For Model 630C
(B) For Model 634A