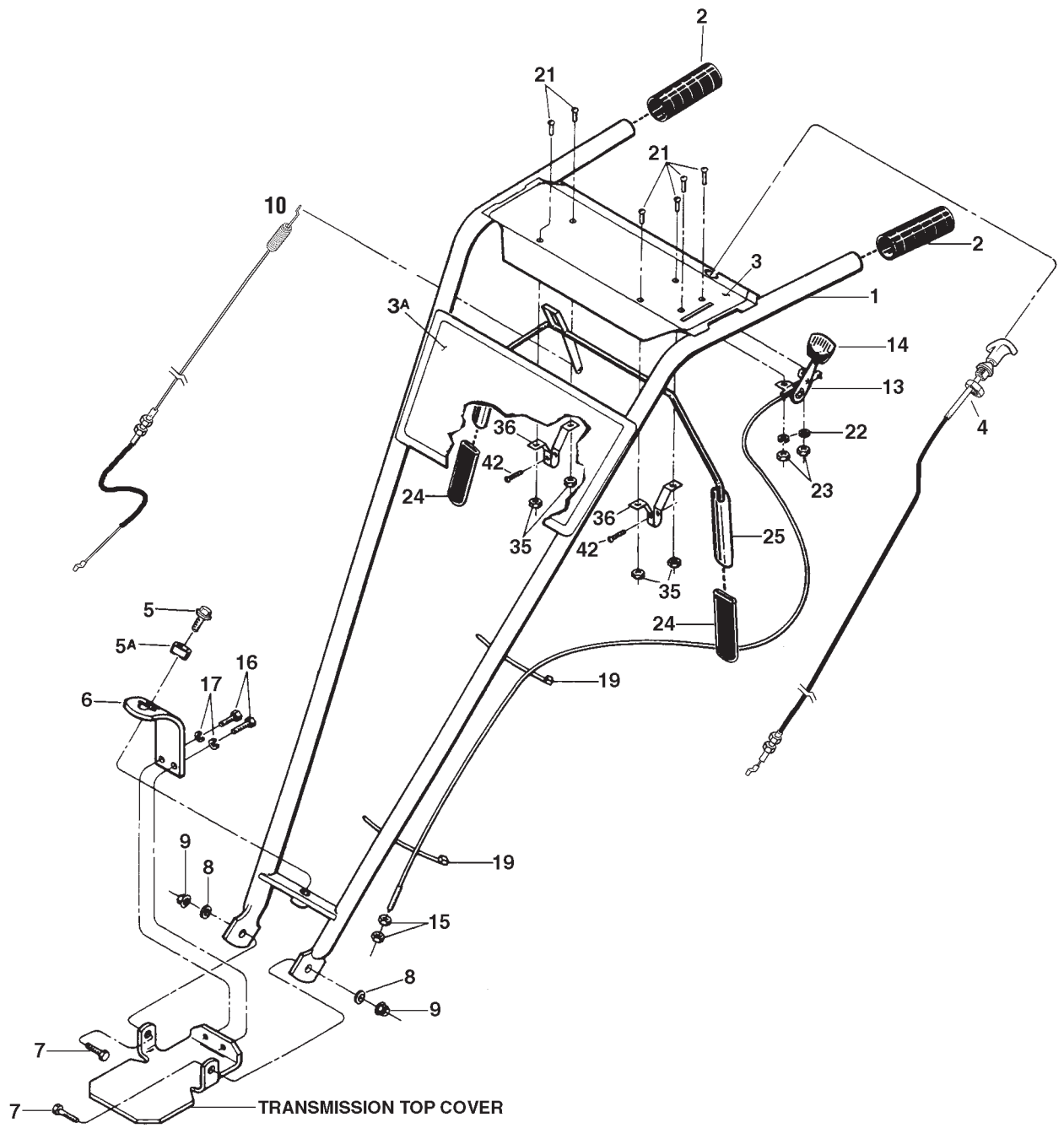


HANDLEBAR ASSEMBLY and CONTROL LEVERS



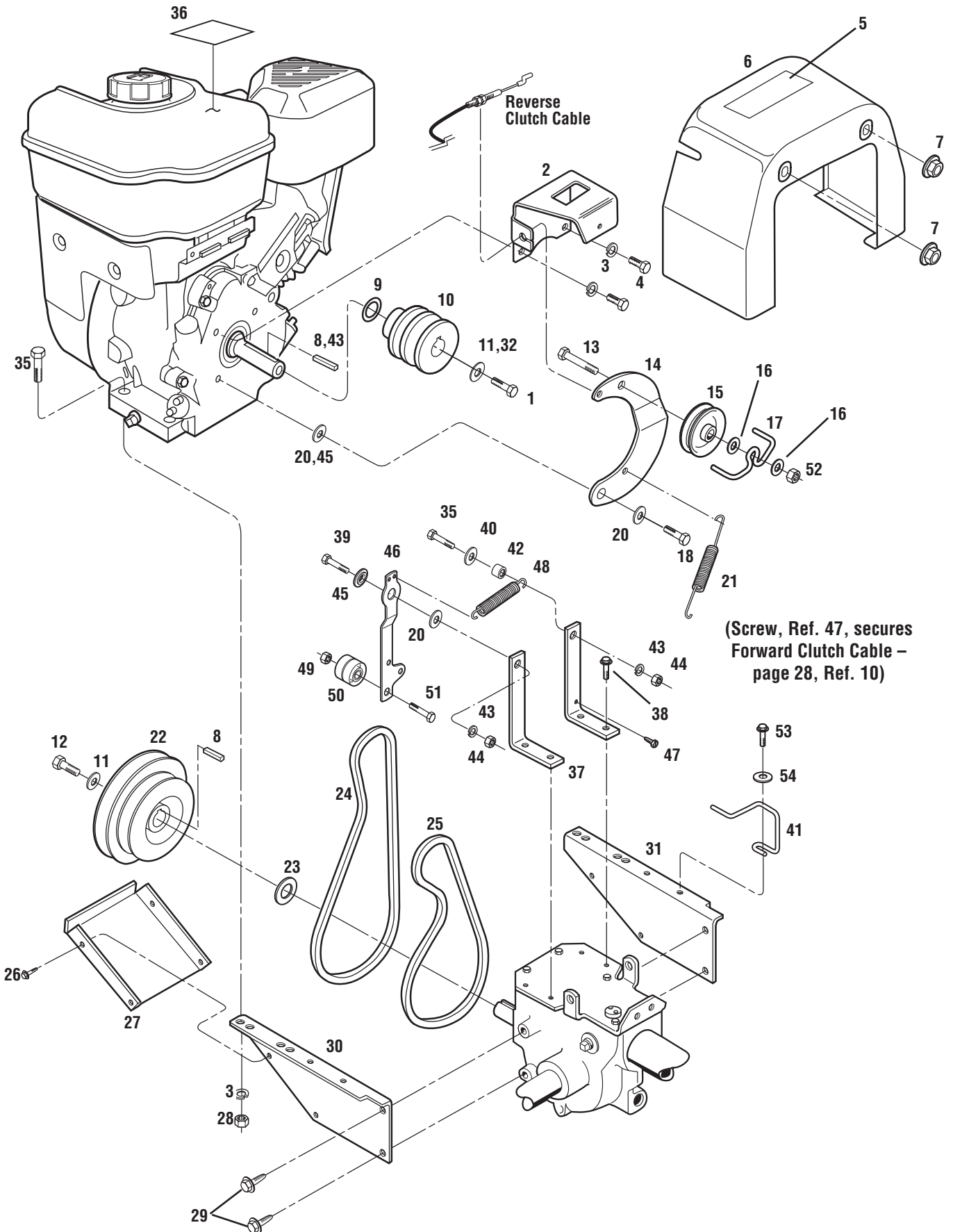
Models 664D, 665B &amp; E666M

**HANDLEBAR ASSEMBLY and CONTROL LEVERS**

REF. No.	PART No.	DESCRIPTION	QTY.	REF. No.	PART No.	DESCRIPTION	QTY.
1	1918801	Handlebars .....	1	15	1186211	Hex Nut, 5/16-24 .....	2
2	GW-9126	Grip .....	2	16	GW-90064	Hex Hd. Screw, 3/8-16 x 5/8* .....	2
3	777122088	Decal, Control Panel .....	1	17	736-0169	Lockwasher, 3/8 .....	2
3A	777D05553	Decal, Model Name/Logo .....	1	19	725-0157	Cable Ties, Plastic.....	2
4	1916784	Reverse Clutch Control Cable .....	1	21	1114748	Round Hd. Screw, #10-32 x 1/2 .....	6
5	1186347	Height Adjustment Screw .....	1	22	1100240	Lockwasher, #10 .....	2
5A	GW-9955	Washer, Keyed.....	1	23	1186208	Hex Nut, #10-32 .....	2
6	1900475	Bracket, Handlebar Height Adjustment	1	24	GW-9390	Grip .....	2
7	710-0514	Hex Hd. Screw, 3/8-16 x 1* .....	2	25	1918802	Bail, Forward Clutch Control.....	1
8	736-3050	Washer, Plain (flat) 3/8, S.A.E. ....	2	35	GW-9853	Sems Nut.....	4
9	712-3000	Hex Locknut, 3/8-16 .....	2	36	GW-20806	Bracket, Bail Support .....	2
10	746-04027	Cable, Forward Clutch Control .....	1	42	710-0599	Hex Flange Screw, self-tapping, 1/4-20 x 1/2* .....	2
13	GW-9442	Wheel Gear Control and Cable Assy.....	1				
14	GW-9057	Knob, Wheel Gear Control Lever.....	1				

\* Specify GRADE 5 if ordering part locally.

ENGINE, SUPPORT BRACKETS, PULLEYS, BELTS, BELT COVER



## ENGINE, SUPPORT BRACKETS, PULLEYS, BELTS, BELT COVER

REF. No.	PART No.	DESCRIPTION	QTY.	REF. No.	PART No.	DESCRIPTION	QTY.
1	710-0539	Screw, 3/8-24 x 1.75 (A) .....	1	26	1900396	Self-tapping Screw, #10-32 x 1/2, .....	4
	GW-9572	Screw, 5/16-24 x 1.125 (B).....	1	27	GW-20339	Guard, Belts/Pulleys .....	1
2	1917326	Bracket, Clutch Cable .....	1	28	712-4063	Hex Flange Nut, 5/16-18.....	4
3	736-0119	Lockwasher-5/16.....	6	29	1186329	Hex Flange Screw, 5/16-18 x 3/4* .....	4
4	710-0107	Hex Hd. Screw, 5/16-24 x 1/2 .....	2	30	1916797	Engine Support Bracket, left side .....	1
5	777S30651	Decal, Hot Surfaces/Belt Warning .....	1	31	1916796	Engine Support Bracket, right side.....	1
6	1916659	Cover .....	1	32	736-0452	Bell Washer (A).....	1
7	712-3004A	Flange Lock Nut, 5/16-18.....	2	35	710-0395	Hex Hd. Screw, 5/16-18 x 2-1/4 .....	5
8	1108841	Key, 3/16 x 1-1/2 (B).....	1	36	777I20942	Decal, Stabilization.....	1
9	GW-1138-1	Shim .....	1	37	1918774	Mounting Bar .....	2
10	619-04015	Pulley, Engine Drive (A) .....	1	38	710-1260	Hex Flange Screw, 5/16-18 x .75 .....	4
	191652	Pulley, Engine Drive (B) .....	1	39	710-0805	Hex Hd. Screw, 5/16-18 x 1-1/2* .....	1
11	GW-9944	Belleville Washer (B).....	2	40	736-0275	Flat Washer, 5/16' .....	1
12	GW-9572	Hex Hd. Screw, 5/16-24 x 1-1/8.....	1	41	1918846	Belt Guide, Pony .....	2
13	710-3103	Hex Hd. Screw, 5/16-18 x 2 .....	1	42	GW-55088	Pivot Bushing.....	2
14	1918731	Reverse Idler Arm .....	1	43	714-04029	Key, .188 x 1.75 (A) .....	1
15	1916535	Pulley, Reverse Idler .....	1	44	712-3010	Hex Nut, 5/16-18.....	2
16	736-0159	Flat Washer, 5/16.....	2	45	1917746	Washer, Shoulder (A) .....	2
17	1916725	Belt Guide, Wire Formed .....	1	46	1918744	Idler Arm, Forward Tiller Direction.....	1
18	710-0117	Hex Head Screw, 5/16-24 x 1.....	1	47	1767754	Screw, self tapping, #10-24 .....	1
19	1917746	Washer, Shoulder .....	1	48	1916727	Spring .....	1
20	736-3078	Washer, Flat, 1-1/8 (B).....	3	49	712-3000	Hex Locknut, 5/16-18 .....	1
21	1916728	Spring, Reverse Return.....	1	50	GW-9090	Idler Pulley, Forward .....	1
22	1916522	Transmission Pulley.....	1	51	710-0347	Screw, 3/8-16 x 1-3/4 .....	1
23	GW-1440	Support Washer.....	1	52	712-0158	Hex Lock Nut, 5/16-18 .....	1
24	1918812	Reverse Clutch Belt.....	1	53	1754128	Screw, 1/4-20 x 3/4 .....	1
25	1909404	Forward Clutch Belt.....	1	54	736-0463	Flat Washer-1/4.....	1

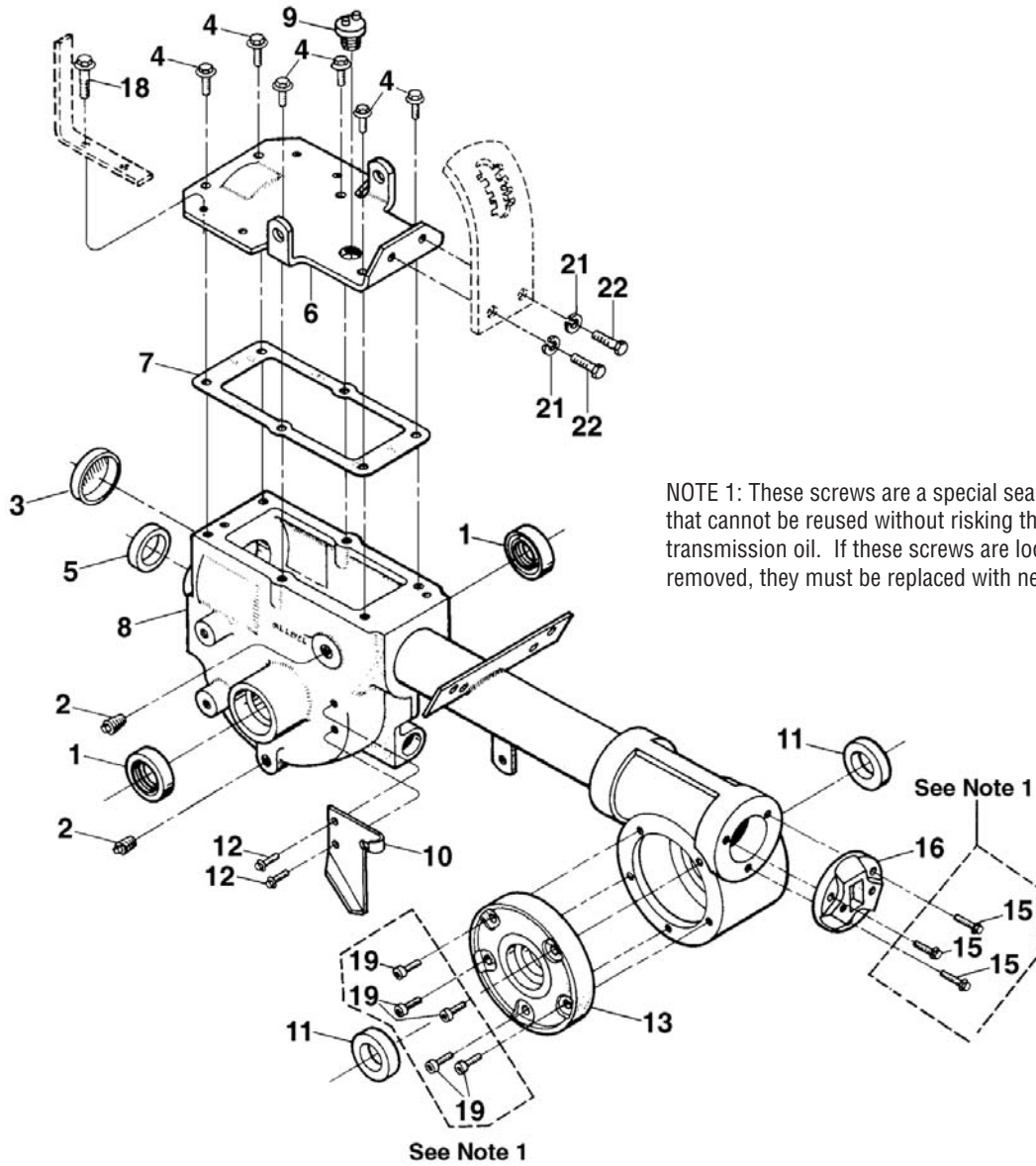
(A) For Models 664D &amp; E666M

(B) For Model 665B

\* Specify GRADE 5 if ordering part locally.

\*\* See your local authorized engine service dealer for engine parts or service. Refer to engine nameplate for engine type and code information.

**TRANSMISSION HOUSING, COVERS, SEALS, GASKETS, PLUGS**



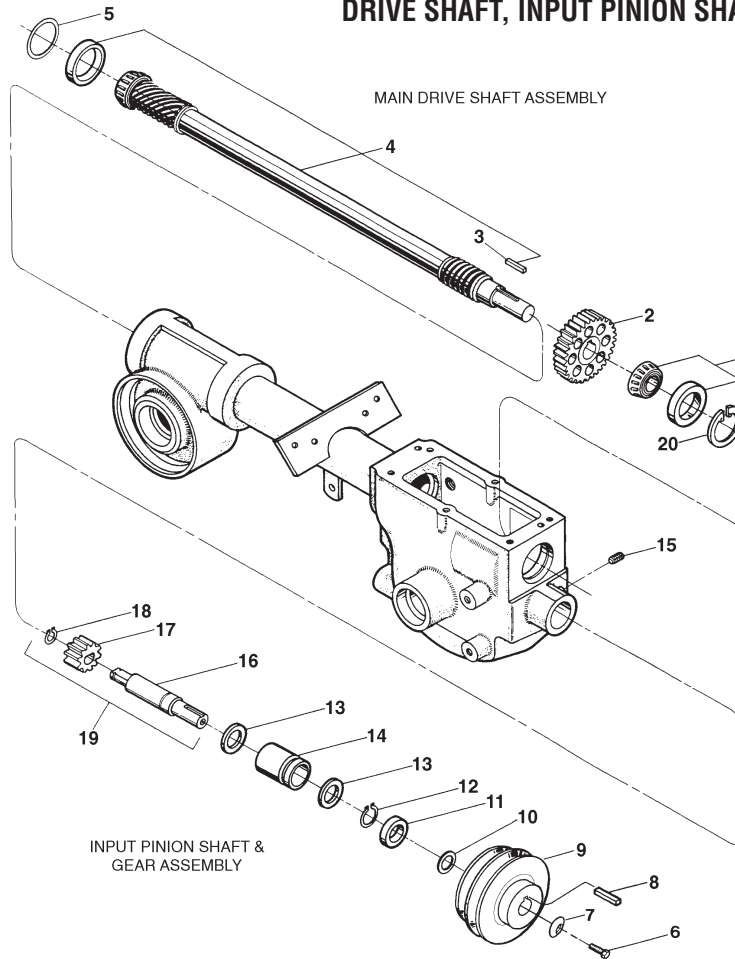
NOTE 1: These screws are a special sealing screw that cannot be reused without risking the loss of transmission oil. If these screws are loosened or removed, they must be replaced with new screws.

REF. No.	PART No.	DESCRIPTION	QTY.	REF. No.	PART No.	DESCRIPTION	QTY.
1	721-04031	Oil Seal (Double Lip), Wheel Shaft .....	2	11	721-04035	Oil Seal, Tiller Shaft.....	2
2	1105620	Pipe Plug, 1/4, .....	2	12	710-04049	Screw, Hex Flange, 5/16-18 x 5/8" .....	2
3	721-04001	Seal, Transmission Bore .....	1	13	GW-20873	Cover, Tiller Housing .....	1
4	710-04043	Hex Flange Screw, 5/16-18 x 3/4* .....	6	15	1915069	Self-Sealing Screw, 1/4-20 x 7/8" .....	3
5	721-04044	Oil Seal, Input Pinion Shaft .....	1	16	GW-1115	Rear Bearing Cap .....	1
6	GW-20910	Transmission Cover .....	1	17	GW-1124-2	Gasket, Rear Bearing Cap, .010"	A/R
7	GW-20694	Gasket, Transmission Top Cover .....	1	18	710-1260A	Hex Flange Screw, 5/16-18 x 3/4* .....	4
8	619-04010	Transmission Case Assy. ....	1	19	1915068	Self-Sealing Screw, 1/4-20 x 5/8" .....	5
9	GW-9467	Plug .....	1	21	736-0169	Lockwasher, 3/8.....	2
10	GW-20889	Mounting Plate, Wheel Clutch Cable ...	1	22	GW-90064	Hex Hd. Screw, 3/8-16 x 5/8* .....	2

\* Specify GRADE 5 if ordering part locally.

A/R – As Required

**DRIVE SHAFT, INPUT PINION SHAFT and GEAR ASSEMBLIES**



REF. No.	PART No.	DESCRIPTION	QTY.
<b>MAIN DRIVE SHAFT</b>			
1	GW-1714	Bearing, Tapered Roller with Race ....	1
2	GW-20718	Spur Gear .....	1
3	GW-9301	Key, 3/16 sq. x 1 .....	1
4	GW-20912	Main Drive Shaft (Drive shaft is one-piece with integral, single-lead, work-hardened front worm, and integral, six-lead, work-hardened rear worm. Also includes pressed-on GW-1714 and GW-9301).....	1
5	GW-1224-1	Shim, Rear Bearing Cap, .010" thick (see Note below) .....	A/R
5	GW-1224-2	Shim, same as above, but .030" thick (see Note).....	A/R
5	GW-1224-3	Shim, same as above, but .005" thick (see Note).....	A/R
...	GW-1325C	Shim Set (Incl. two GW-1224-1; two 1224-2 and one GW-1224-3) .....	A/R

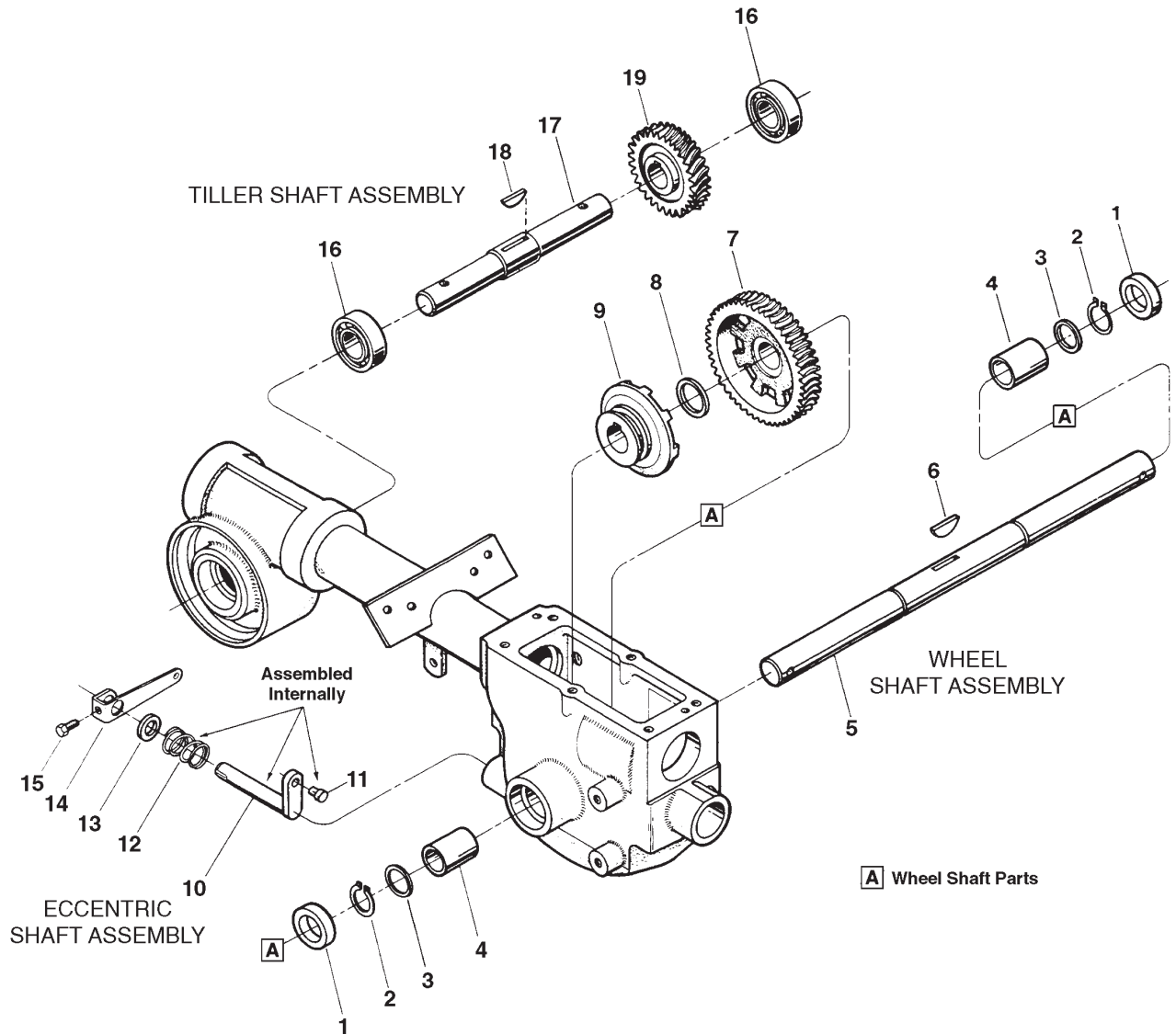
REF. No.	PART No.	DESCRIPTION	QTY.
<b>INPUT PINION SHAFT &amp; GEAR ASSEMBLY</b>			
6	GW-9572	Hex Hd. Screw, 5/16-24 x 1-1/8* .....	1
7	GW-9944	Washer, Disc Spring (concave surface faces pulley).....	1
8	1108841	Key, 3/16 sq. x 1-1/2 .....	1
9	1916522	Transmission Drive Pulley.....	1
10	GW-1440	Support Washer .....	1
11	721-04044	Oil Seal, Input Pinion Shaft.....	1
12	1113527	Retaining Ring (external) .....	1
13	GW-9953	Thrust Washer.....	2
14	GW-9428	Bushing .....	1
15	GW-9677	Set Screw, 5/16-18 x 3/8* .....	1
16	GW-20791	Input Pinion (steel shaft).....	1
17	GW-20792	Input Pinion Gear .....	1
18	GW-9093	Retaining Ring (external) I.....	1
19	GW-20799	Pinion Assy. (Incl. one each Refs. 16, 17 and 18 .....	A/R
20	GW-9517	Retaining Ring (internal) .....	1

NOTE: Shim between drive shaft rear bearing and rear bearing cap to achieve 5-to-10 thousandths of an inch (.005-.010) end play on drive shaft.

A/R - As Required

\* Specify GRADE 5 if ordering part locally.

WHEEL SHAFT, ECCENTRIC SHAFT and TILLER SHAFT ASSEMBLIES



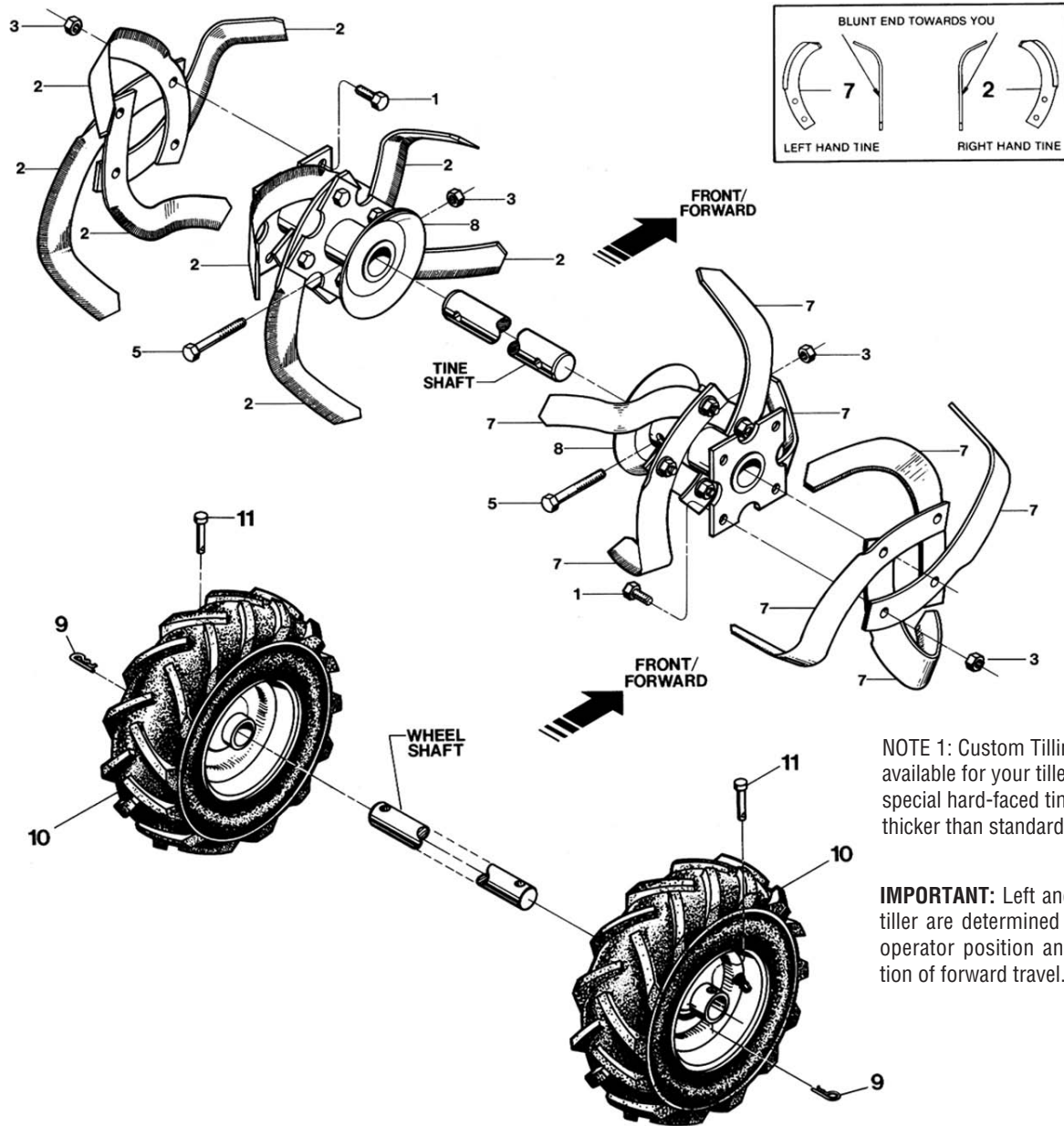
REF. No.	PART No.	DESCRIPTION	QTY.
1	721-04031	Oil Seal .....	2
2	1909950	Retaining Ring (heavy-duty, external) .....	2
3	GW-1166-1	Shim, 1-1/64 I.D., .062" thick .....	A/R
---	GW-1166-2	Shim, as above, but .030" thick .....	A/R
---	GW-1166-3	Shim, as above, but .015" thick .....	A/R
---	GW-1166-4	Shim, as above, but .010" thick .....	A/R
4	GW-1086	Bushing .....	2
5	711-04091	Wheel Shaft .....	1
6	GW-9373	Hi-Pro Key, 1/4 x 1-5/16 .....	1
7	GW-20914	Wheel Drive Worm Gear (cast-iron) ..	1
8	GW-9935	Shim (between key and gear), 1.016 I.D. x 1.468 O.D. x .062 Thick .....	1

REF. No.	PART No.	DESCRIPTION	QTY.
9	GW-20712	Wheel Drive Clutch (cast-iron) .....	1
10	611-04002	Eccentric Shaft .....	1
11	GW-1442	Pin, Eccentric Shaft .....	1
12	GW-9055	Spring .....	1
13	721-04034	Oil Seal .....	1
14	786-04001	Eccentric Shaft Lever .....	1
15	710-3013	Hex Hd. Screw, 1/4-20 x 1/2* .....	1
16	741-3037	Ball Bearing .....	2
17	711-04080	Tiller Shaft .....	1
18	GW-1104	Woodruff Key, 1/4 x 1-1/4 .....	1
19	GW-20913	Tiller Drive Worm Gear (bronze) .....	1

\* Specify GRADE 5 if ordering part locally.

A/R - As Required

**BOLO TINES, WHEELS**



NOTE 1: Custom Tilling Tines are available for your tiller. These are special hard-faced tines that are thicker than standard tines.

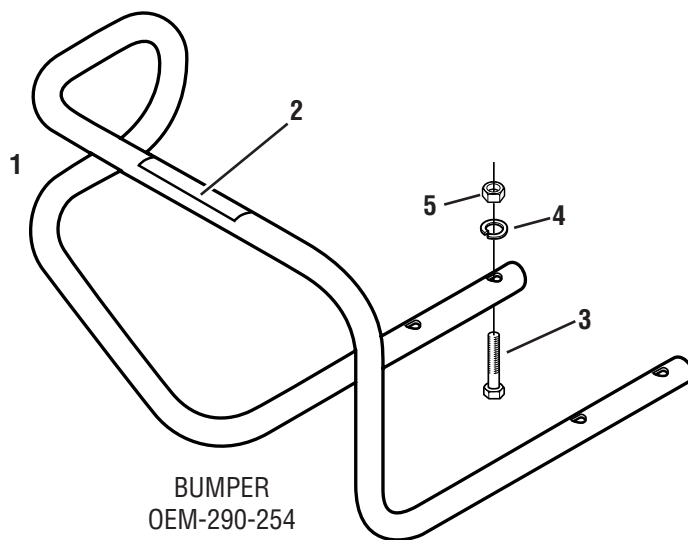
**IMPORTANT:** Left and right sides of tiller are determined by standing in operator position and facing direction of forward travel.

REF. No.	PART No.	DESCRIPTION	QTY.	REF. No.	PART No.	DESCRIPTION	QTY.
1	710-0514	Hex Hd. Screw, 3/8-16 x 1*	16	--	GW-2475-1	Custom Tilling Bolo Tine, Left hand tine (see Note 1 above)	8
2	GW-1270-2	Bolo Tine-single. Right hand tine used on left side of tiller	8	--	GW-2475-2	Custom Tilling Bolo Tine, Right hand tine (see Note 1 above)	8
3	712-3000	Hex Locknut, 3/8-16	18	--	GW-10802	Custom Tilling Bolo Tine Replacement Set (Incl. eight ea. right hand and left hand custom tines, and sixteen each of Refs. 1 and 3)	1
5	710-3096	Hex Hd. Screw, 3/8-16 x 2, Grade 8...	2	9	GW-9338	Hitch Pin	2
7	GW-1270-1	Bolo Tine-single. Left hand tine used on right side of tiller	8	10	1917487	Wheel and Tire Assembly	2
8	1902154	Tine Holder. For left and right sides	2	11	GW-9380	Clevis Pin, .312 x 1-3/4	2
--	1901118	Bolo Tine Replacement Set (Incl. eight ea. right hand and left hand tines, and sixteen ea. Refs. 1 and 3)	1				

\* Specify GRADE 5 if ordering part locally.



**BUMPER ATTACHMENT**

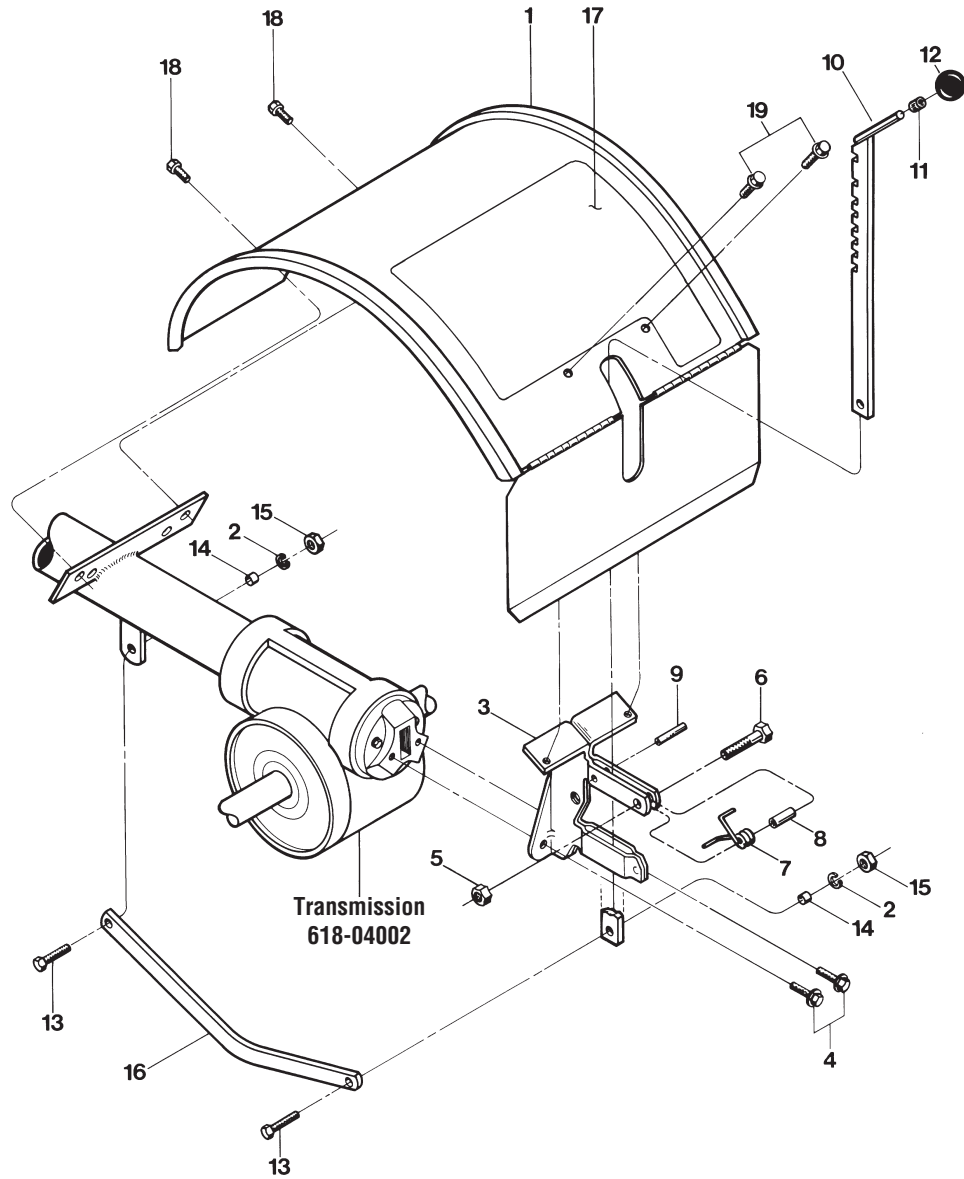


REF No.	PART No.	DESCRIPTION	QTY.
<b>Bumper – OEM-290-254</b>			
1	749-04193	Bumper .....	1
2	777S30653	Decal - Caution .....	1
3	710-0395	Screw-hex hd., 5/16-18 x 2-1/4* (included in hardware kit) .....	4
4	736-0119	Lockwasher-5/16* (included in hardware kit) .....	4

REF No.	PART No.	DESCRIPTION	QTY.
5	712-04063	Lock Nut-Hex, Nylon, 5/16-18* (included in hardware kit) .....	4
---	1918781	Hardware Kit: Incl. four each of Refs. 3, 4 and 5 .....	1

Models 664D, 665B & E666M

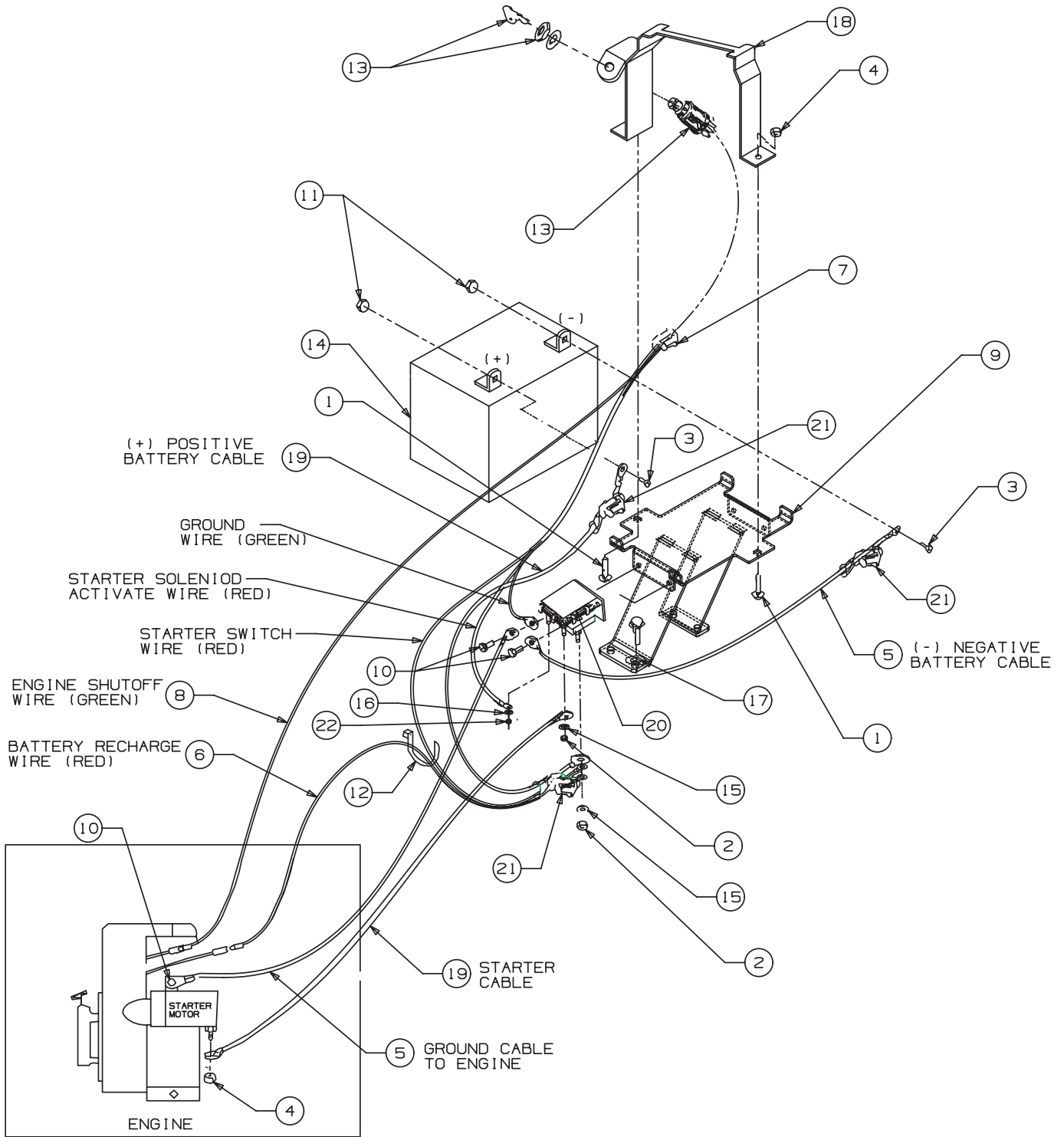
**HOOD, BRACKET and DEPTH REGULATOR**



REF. No.	PART No.	DESCRIPTION	QTY.
1	686-04013	Tine Hood .....	1
2	710-0169	Lockwasher, 3/8.....	2
3	GW-2525	Bracket-hood & depth regulator .....	1
4	710-04049	Hex Flange Screw, 5/16-18 x 5/8* .....	2
5	712-0291	Hex Locknut, 1/4-20 .....	1
6	710-0597	Hex Hd. Screw, 1/4-20 x 1* .....	1
7	GW-9384	Spring .....	1
8	GW-9534	Spacer.....	1
9	1185469	Roll Pin (spiral), 1/4 x 1 .....	1
10	GW-1117A	Depth Adjustment Bar Assembly (Incl. Refs. 11 and 12) .....	1

REF. No.	PART No.	DESCRIPTION	QTY.
11	GW-9120	Retaining Ring (tolerance ring).....	1
12	GW-9119	Knob, Depth Regulator (Incl. Ref. 11). .....	1
13	710-3005	Hex Hd. Screw, 3/8-16 x 1-1/4* .....	2
14	GW-1113-1	Bushing, Drag Bar.....	2
15	712-3017	Hex Nut, 3/8-16.....	2
16	GW-20775	Drag Bar .....	1
17	777S30649	Decal, operating instructions .....	1
18	710-0759	Hex Hd. Screw, self-tapping, 5/16-18 x 5/8* .....	2
19	710-0599	Hex Flange Screw, self-tapping, 1/4-20 x 1/2* .....	2

\* Specify GRADE 5 if ordering part locally.



## ELECTRIC START ASSEMBLY

REF. No.	PART No.	DESCRIPTION	QTY.	REF. No.	PART No.	DESCRIPTION	QTY.
1	1186073	Carriage Screw, 1/4-20 x 1.25.....	2	8	1917262	Ground Wire Assy. (shut off) .....	1
2	1186211	Hex Nut, 5/16-24.....	2	9	686-04024	Battery Bracket Assembly, Pony.....	1
3	1186390	Flange Screw, 1/4-20 x .625.....	2	10	710-0599	Self-tapping Screw, 1/4-20 x .5.....	3
4	1186389	Hex Locknut, 1/4-20.....	2	11	712-3006	Hex Nut, 1/4-20.....	2
5	1901202	Cable (ground wire to starter motor bracket).....	2	12	725-0157	Cable Tie.....	1
6	1901894	Recharge Wire Assembly .....	1	13	725-0267	Ignition Switch .....	1
7	1908118	Wire Harness Assy. (available as complete assembly only). Incl. wire assy. w/connector to large solenoid stud (red wire); wire assy. w/connector to small solenoid stud (red wire); wire assy. w/connector to solenoid grounding screw (red wire); wire assy w/connector to engine ground shut-off (green wire); plastic protector tube; wire terminal .....	1	14	725-1706	Battery, 270 CCA .....	1
				15	736-0119	Lock Washer 5/16 .....	2
				16	736-0147	Lock Washer, #10 .....	1
				17	736-0607	External Lock Washer, 5/16.....	2
				18	GW-2614	Keyswitch Clamp .....	1
				19	96510	Cable (solenoid to starter motor) .....	1
				20	96514	Solenoid (Incl. nuts and washers for cables and wires) .....	1
				21	97020	Boot, Insulating .....	2
				22	9853	Hex Locknut, #10-32.....	1
				—	777S30648	Label, Ignition Switch.....	1