

Appendix B: Attachments & Accessories

Troy-Bilt® PTO Log Splitter

290-258-081

The Troy-Bilt® PTO Log Splitter provides you with a convenient and easy means of splitting about a half a cord of wood per hour when working alone. When connected to the PTO Power Unit, the tiller's engine runs the splitter's hydraulic pump, providing you with 13 tons of steady, unhurried and predictable splitting force.

As an added benefit, the power-driven mobility provided by the PTO Power Unit allows you to move the splitter to and from your wood pile, over to a neighbor's place, or along the woodpile to a fresh supply of logs.

Features include a 15 second splitting cycle; can handle log sizes up to 26" long; a two-stage hydraulic pump that automatically shifts into low gear to provide four-times greater pressure when needed; slim-cut wedge design for splitting green, stringy wood; and an auto-control valve for automatic return stroke.

Dozer/Snow Blade Attachment

290-259-081

In the winter, moves up to one foot of light snow (or 6"-to-8" of heavy snow); at other times use it to move or spread sand, gravel, loose dirt, grain, sawdust, etc. Attaches easily to the front of the Wrap-Around Bumper Guard. Set the blade to several angles. Weighs 41-lbs.; measures 15" x 32".

Row Marker Attachment

290-257-081

Do you like very straight, even, neat rows in your garden? If so, the Row Marker is a must attachment. Hooks quickly to the Hiller/Furrower attachment— eliminates the need for string, stakes, measuring tape, etc. You'll like the straight rows it helps you make if you lay out furrows, dig compost trenches, or make raised beds. The Row Marker extends from 28"-to-49³¹/₄", letting you vary the width between rows to suit the crop you're planting.

V-Sweep Cultivator

290-260-081

The V-Sweep Cultivator is a specialized tool designed for between-row crop cultivation. Instead of stirring the soil, it slices through just below the surface to eliminate practically any weeds in its path.

The Sweep mounts easily to the optional Tow Hitch Attachment at the rear of the PTO Power Unit. The blade is made of high carbon, heat treated steel and measures 2" wide (overall wing span is 20").

The unique way the Sweep works, skimming along just underneath the soil's surface without turning the soil over, makes this the ideal tool for use in dry, dusty conditions where it is important to keep soil disturbance to a minimum. And, because of its 20" wide cutting path, it does an effective cultivation job at a fast speed.

The Sweep's natural shallow cultivation helps to prevent weed seeds from being brought to the soil's surface. This shallow cultivation feature also means there's less chance of damaging the roots of your vegetables. For deeper or more shallow cultivating, the blade depth can be changed with a simple adjustment..

Wheel Weights

290-266-081

Help increase traction by putting extra weight directly on the wheels. They reduce bucking and jumping when deep-tilling in heavy soil. They're shipped empty— fill them with material like concrete, sand, gravel, etc. They bolt directly to the tiller wheels.

Wrap-Around Bumper Guard

290-255-081

Order this Bumper Guard by itself or receive it as one of the components if you order the combination Dozer/ Snow Blade attachment. Protects the engine from damage by wrapping around and protecting many of the engine components. 1" diameter, high-strength steel tubing.

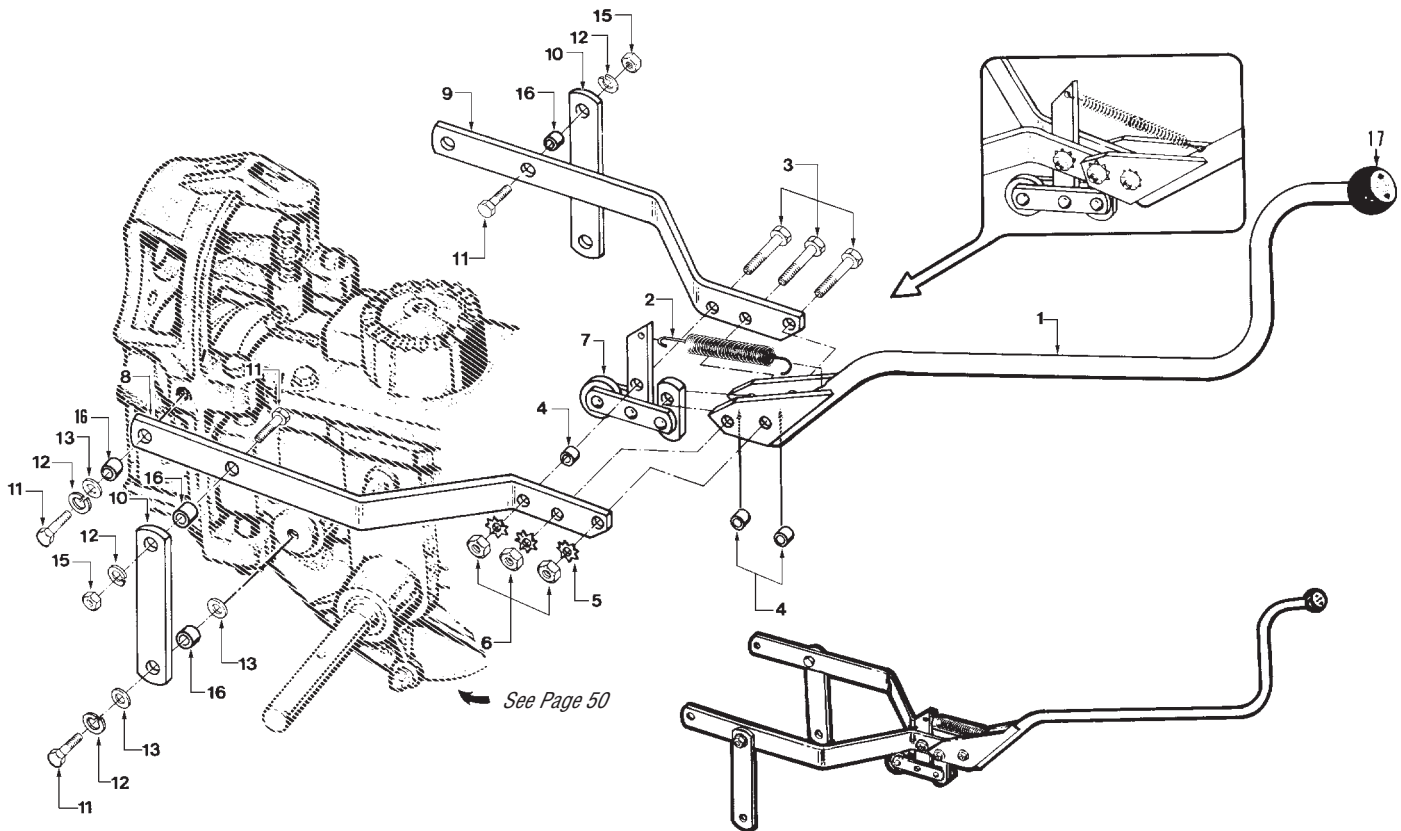
Hiller/Furrower Attachment

290-250-081

The most popular attachment because it does so many jobs. Mounts to the rear of the depth regulator bracket. Furrower blade easily makes plant rows, trenches, ditches to 8" deep. When hiller wings are attached to furrower blade, attachment makes hilled rows and raised bed gardens. Converts from a furrower to a hiller and back again, in seconds, without tools.

Section 6 Parts List

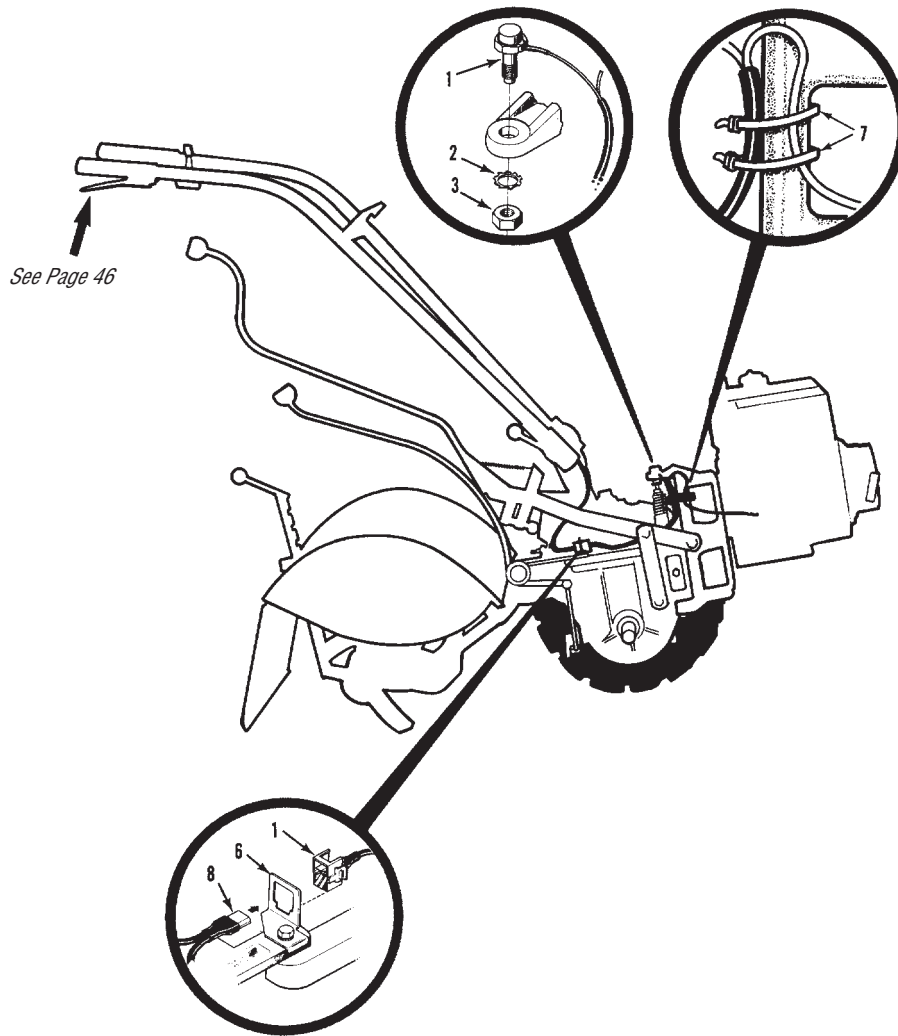
WHEELS/TINES/PTO DRIVE LEVER & YOKE ASSEMBLY



REF No.	PART No.	DESCRIPTION	QTY.
1	647-04006	Lever Assembly—Wheels/Tines/ PTO Drive (Includes Ref. 17)	1
2	1908156	Spring—clutch pawl	1
3	710-0805	Bolt—hex hd., 5/16-18 x 1-1/2"	3
4	GW-2447	Bushing—3/8"	3
5	1177548	Lockwasher—external tooth, 5/16"	3
6	712-3010	Nut—hex, 5/16"-18	3
7	686-04006	Roller Assembly	1
8	GW-2165-1	Yoke—left side	1

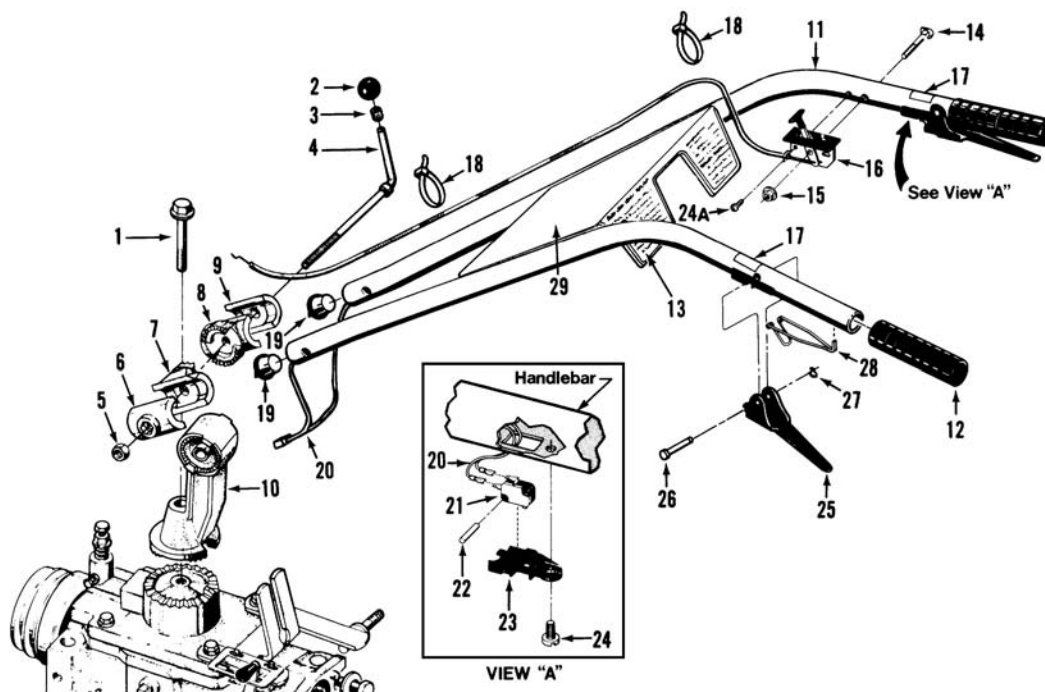
REF No.	PART No.	DESCRIPTION	QTY.
9	GW-2165-2	Yoke—right side	1
10	GW-2164	Link—yoke pivot, left & right, 6-7/8" long	2
11	710-0514	Bolt—hex hd., 3/8-16 x 1"	6
12	736-0169	Lockwasher—spring lock, 3/8"	6
13	736-3050	Washer—flat, 3/8", S.A.E.	6
15	712-3017	Nut—hex, 3/8"-16	2
16	GW-1113-1	Bushing—spacer, 19/64" (.300")	6
17	GW-2595	Knob	1

FORWARD INTERLOCK SYSTEM



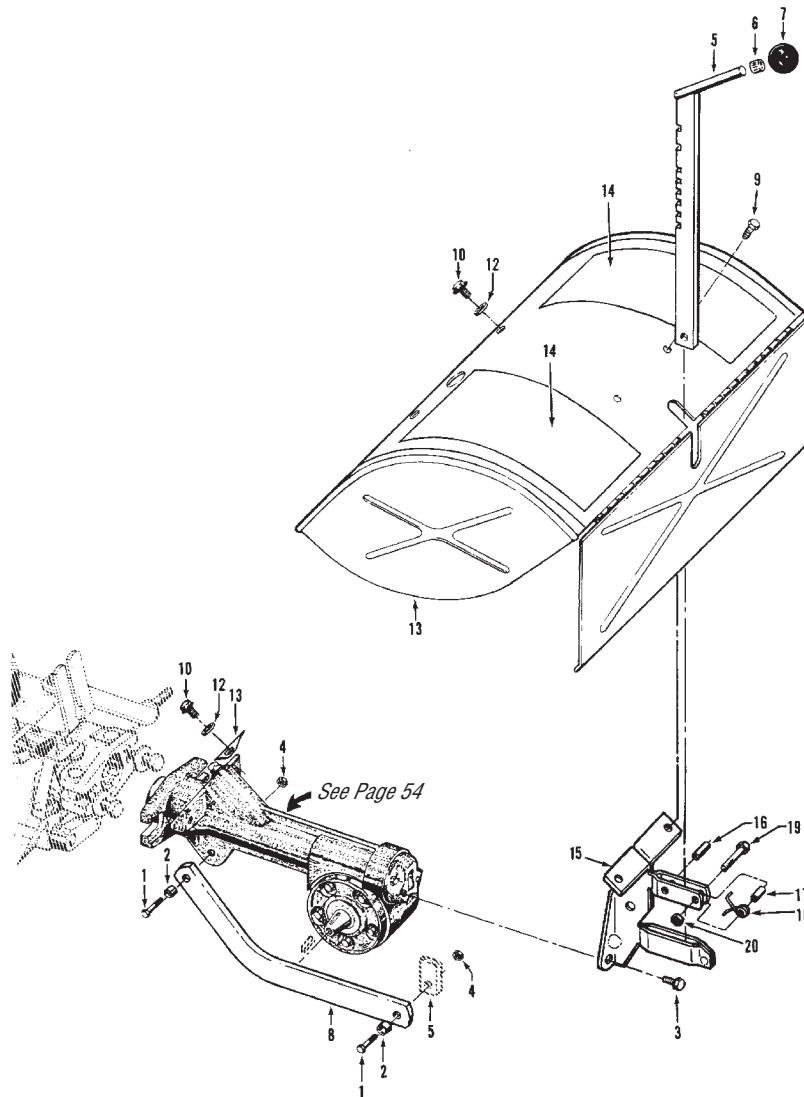
REF No.	PART No.	DESCRIPTION	QTY.	REF No.	PART No.	DESCRIPTION	QTY.
1	629-04017	Engine Wire Harness Assy—forward interlock system (Incl. one red and one black wire, plug connector, neutral switch and PVC tubing. Parts not available separately	1	3	1186246	Nut—hex, 7/16"-20.....	1
2	GW-9971	Lockwasher—external tooth, 7/16".....	1	6	GW-9205	Clip—for plug connector	1
				7	725-0157	Tie—plastic.....	2
				8	GW-2551	Handlebar Wire Harness Assy—(see page 46, Ref. No. 20).....	1

HANDLEBAR ASSEMBLY



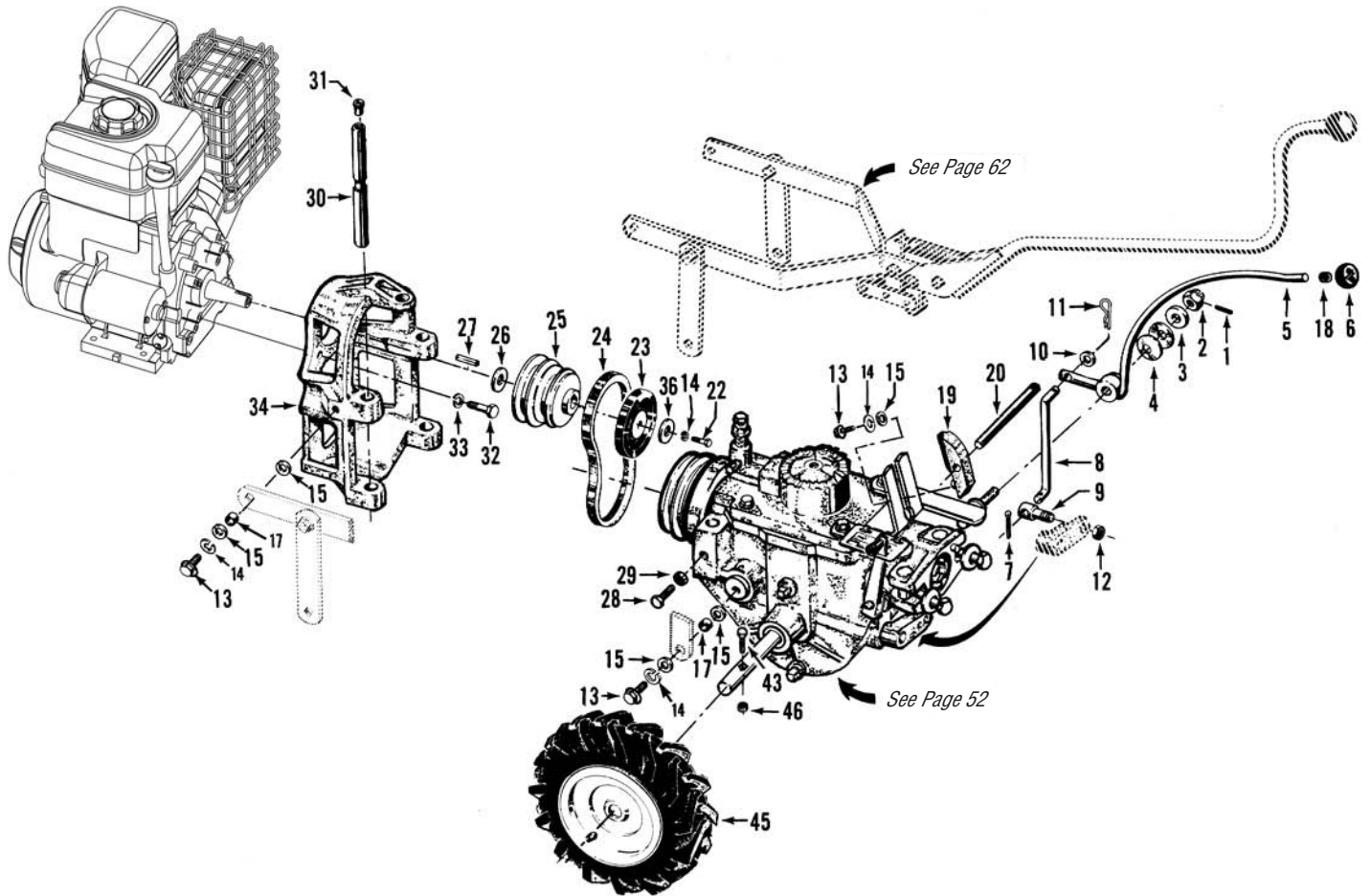
REF No.	PART No.	DESCRIPTION	QTY.	REF No.	PART No.	DESCRIPTION	QTY.
1	GW-9548	Bolt-Hex hd., flanged self-locking Grade 5, 1/2-13 x 3-1/2"	1	17	777120946	Decal-Forward Interlock Lever	2
2	GW-9119	Knob-handlebar height adjustment	1	18	725-0157	Tie-plastic.....	2
3	GW-9120	Ring-retaining (tolerance ring)	1	19	GW-9219	Plug-wire harness retainer	2
4	GW-1881	Stud-handlebar height adjustment	1	20	GW-2551	Handlebar Wire Harness Assy-forward interlock system.....	1
5	1186233	Nut-hex, 1/2"-13	1	21	GW-9250	Handlebar Switch-forward interlock system	2
6	GW-1021-1	Clamp-left, handlebar height adjustment	1	22	GW-9385	Lock Pin-handlebar switch	2
7	GW-2542-1	Ratchet-left, handlebar height adjustment	1	23	GW-2543	Switch Housing-handlebar switch	2
8	GW-2542-2	Ratchet-right, handlebar height adjustment	1	—	GW-2563	Switch Assembly	1
9	1900855010	Clamp-right, handlebar height adjustment	1	24	710-0779A	Screw-pan head, #10-16 x 1/2", thread-forming	2
10	GW-2534A	Base-handlebar mounting	1	24A	GW-9733	Screw-phillips head, 10-32 x 1/2", thread-forming	1
11	649-04020	Handlebars.....	1	25	786-04003	Lever-Operator Presence Control	2
12	GW-9125	Grip-handlebars	2	26	GW-9199	Pivot Pin-forward interlock lever	2
13	777122026	Decal-Control panel.....	1	27	GW-9514	Retaining Ring-clip ring-forward interlock lever.....	2
14	1918111	Bolt-curved hd, GR5, 1/4-20 x 2"	1	28	GW-9387	Return Spring-fwd interlock lever	2
15	1186389	Nut-hex, flanged self-locking, whiz lock, 1/4"-20	1	29	777D07724	Label - Troy-Bilt Horse	1
16	1909286	Throttle Control & Cable, 66"	1		777D06527	Label - Troy-Bilt Horse "Big Red"	1

DEPTH REGULATOR & TINE HOOD ASSEMBLIES



REF No.	PART No.	DESCRIPTION	QTY.	REF No.	PART No.	DESCRIPTION	QTY.
1	710-3005	Bolt-hex hd., 3/8-16 x 1-1/4".....	2	12	GW-9929	Washer-flat, 5/16"	2
2	GW-1113-1	Bushing-19/64" (.300" lg.).....	2	13	1904563	Hood	1
3	710-04049	Bolt-flanged hex, 5/16-18 x 5/8" ...	2	14	777I22027	Decal-hood, operating inst. (LH) ..	1
4	712-04065	Nut-hex, 3/8"-16	2		777S32049	Decal-hood, operating inst. (RH) .	1
5	1900864	Bar-depth regulator	1	15	GW-2525	Bracket.....	1
6	GW-9120	Ring-retaining	1	16	715-04034	Pin-roll (spiral) 1/4" x 1".....	1
7	GW-9119	Knob-depth regulator	1	17	750-04556	Spacer, Split.....	1
8	GW-2121	Bar-drag, depth regulator	1	18	732-04320	Spring	1
9	710-0599	Screw-thread-forming, 1/4-20 x 1/2"	2	19	710-0597	Bolt-hex hd., 1/4-20x1"	1
10	710-04043	Bolt-flanged hex hd., 5/16-18 x 3/4"	2	20	712-04064	Locknut-1/4"-20	1

WHEEL SPEED LEVER, BELT DRIVE SYSTEM, ENGINES, WHEELS



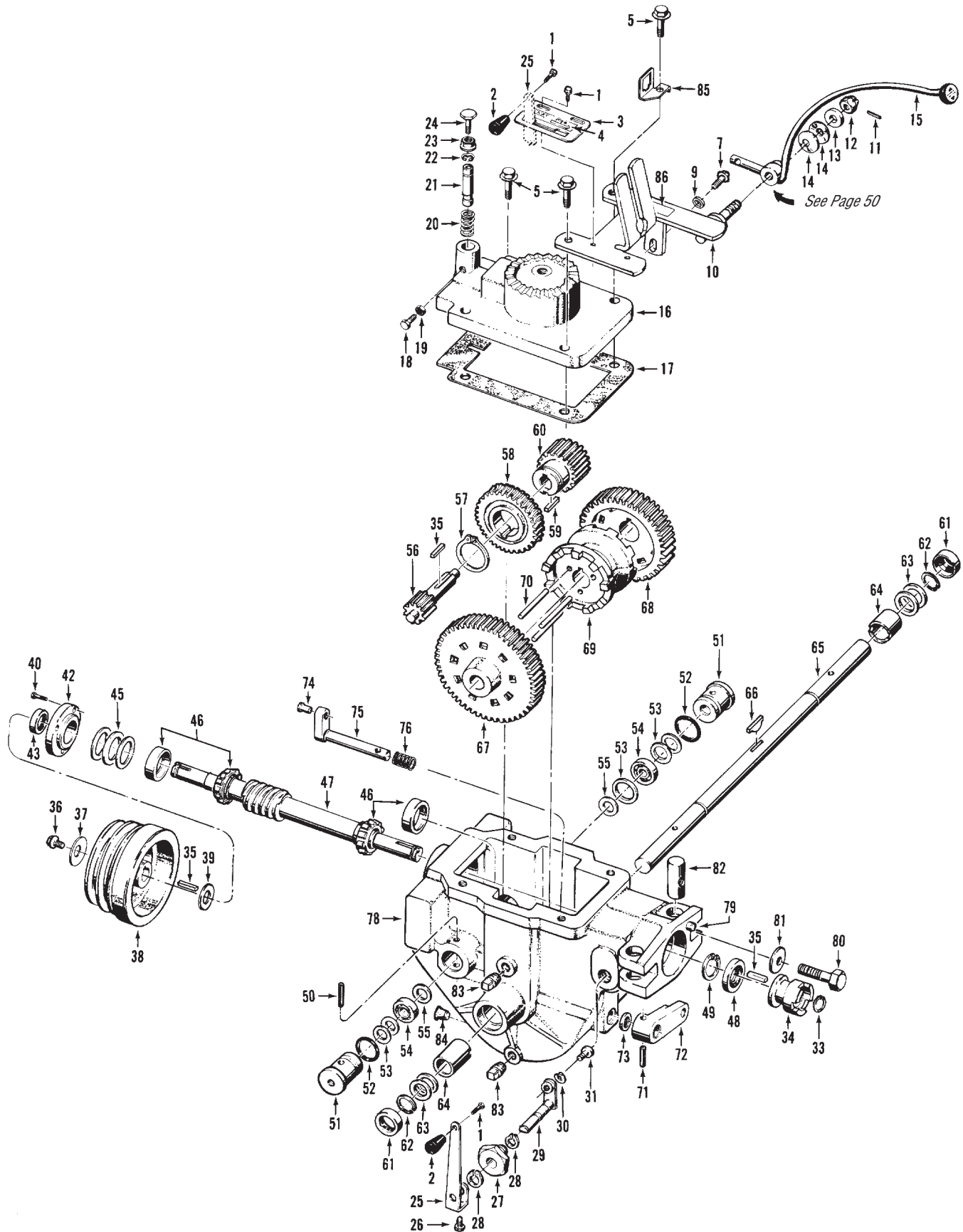
REF No.	PART No.	DESCRIPTION	QTY.	REF No.	PART No.	DESCRIPTION	QTY.
WHEEL SPEED LEVER							
1	GW-9362	Pin-spring, 1/8"	1	27	GW-9303	Key-engine pulley, 3/16"sq. x 2-1/2"	1
2	GW-9838	Nut-castle (slotted), 1/2"-20	1	ENGINES AND ENGINE MOUNT			
3	GW-9934	Washer-shoulder, 1/2"	1	28	710-0376	Bolt-hex hd., 5/16-18 x 1", Grade 5.....	2
4	GW-9932	Washer-disc spring	2	29	712-3010	Nut, hex, 5/16-18.....	1
5	GW-2628	Lever-wheel speed shift	1	30	GW-1034	Bar-engine mounting	2
6	1902240	Knob-wheel speed shift lever	1	31	GW-9147	Plug-thread protector, red plastic....	2
7	GW-9317	Pin-cotter, 3/32" x 1"	1	32	710-04458	Bolt-hex hd., 5/16-24 x 1-1/8"	4
8	GW-1515	Connecting rod, wheel speed -shift lever (Incl. Ref. 7 & Ref. 9).....	1	33	736-0119	Lockwasher-spring lock, 5/16"	4
9	GW-1033	Swivel-connecting rod	1	34	1916274001	Mount- engine to tiller.....	1
10	736-0275	Washer-flat, 5/16", S.A.E.	1	36	736-3052	Washer, flat, .406 x 1.0 x .105	1
11	714-04048	Pin-hair cotter	1	-	777S30647	Decal-hot surface warning	1
12	712-0158	Locknut-hex hd., 5/16"-18	1	WHEEL ASSEMBLIES			
13	710-0514	Bolt-flanged hex hd., 3/8-16 x 1"	5	43	710-0606	Screw, Hex, 1/4-20 x 1-1/2"	2
14	736-0169	Lockwasher-spring lock, 3/8"	5	45	634-04231	**Wheel & Tire Assy - 16 x 4:6 x 8" tubeless tire with valve stem, on one-piece steel rim.	2
15	736-3050	Washer-flat, 3/8", S.A.E.	8	46	712-04064	Nut, Hex Flange, 1/4-20	2
17	GW-1113-1	Bushing-spacer, 19/64" (.300"lg.)....	4				
18	GW-9120	Ring-retaining (tolerance ring)	1				
BELT DRIVE SYSTEM							
19	GW-2102	Block- belt adjustment, 3-7/8"	1				
20	GW-2100	Rod- belt adjust., 7" with measuring gauge.....	1				
21	777I20942	Decal- engine stabilization.....	1				
22	1100012	Bolt-hex hd., 3/8-24 x 1-1/2"	1				
23	756-04171	Disc-reverse	1				
24	GW-9245	Belt-forward drive (no substitute due to extra strength required).....	1				
25	619-04124	Pulley-engine power take off	1				
26	736-04192	Shim-engine pulley, 1/16" As Req'd					
26	736-04187	Shim-as above, 1/32" As Req'd					

* Contact an authorized engine dealer, Troy-Bilt dealer or the Factory for replacement engine information.

Contact an authorized engine dealer for engine service or parts. Refer to the engine nameplate for engine model and type information.

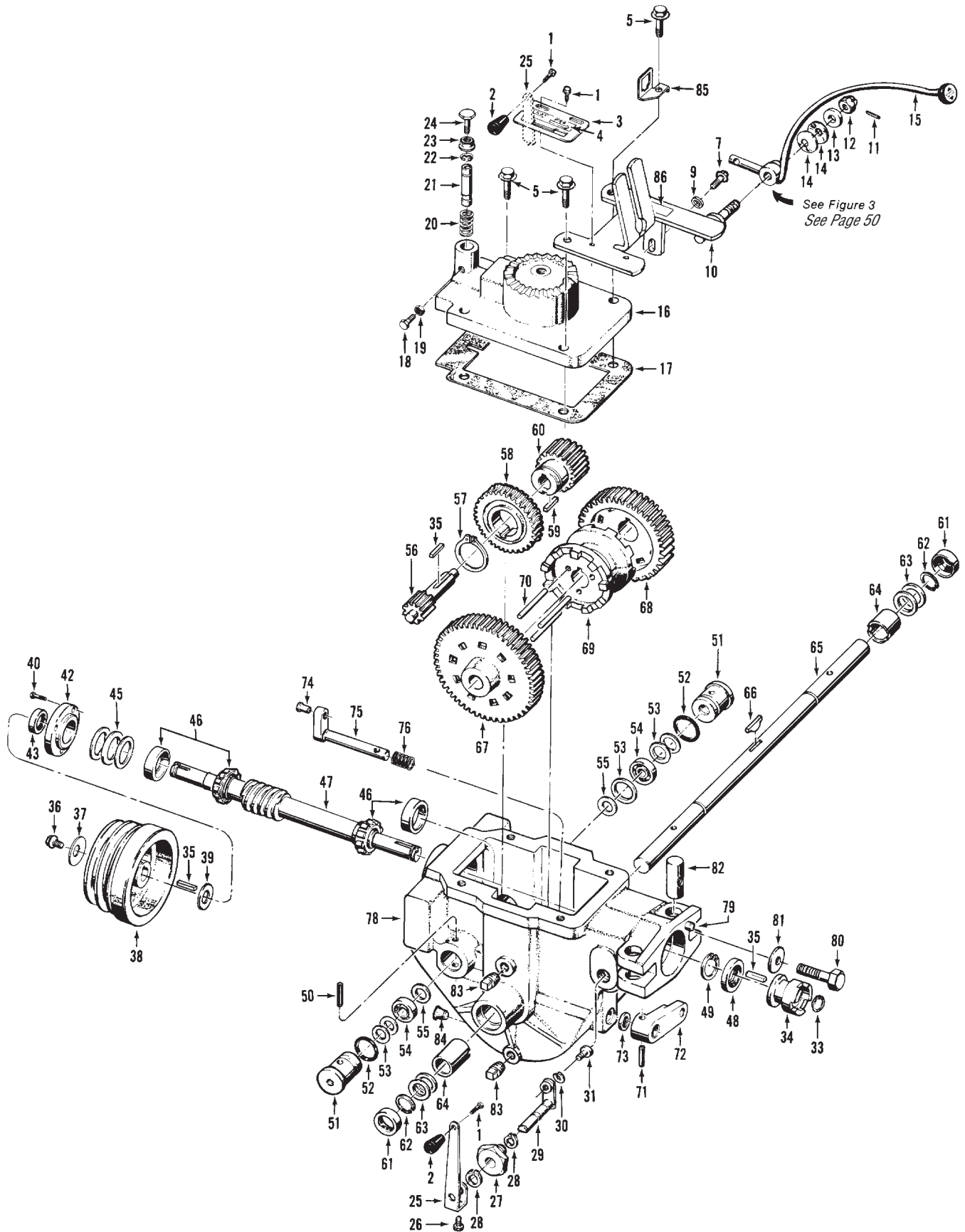
** For correct traction and directional control, Bar Tread Tires should be mounted on the tiller so the closed end of the "V" in the tire tread on top of the tire faces forward.

POWER UNIT TRANSMISSION ASSEMBLIES



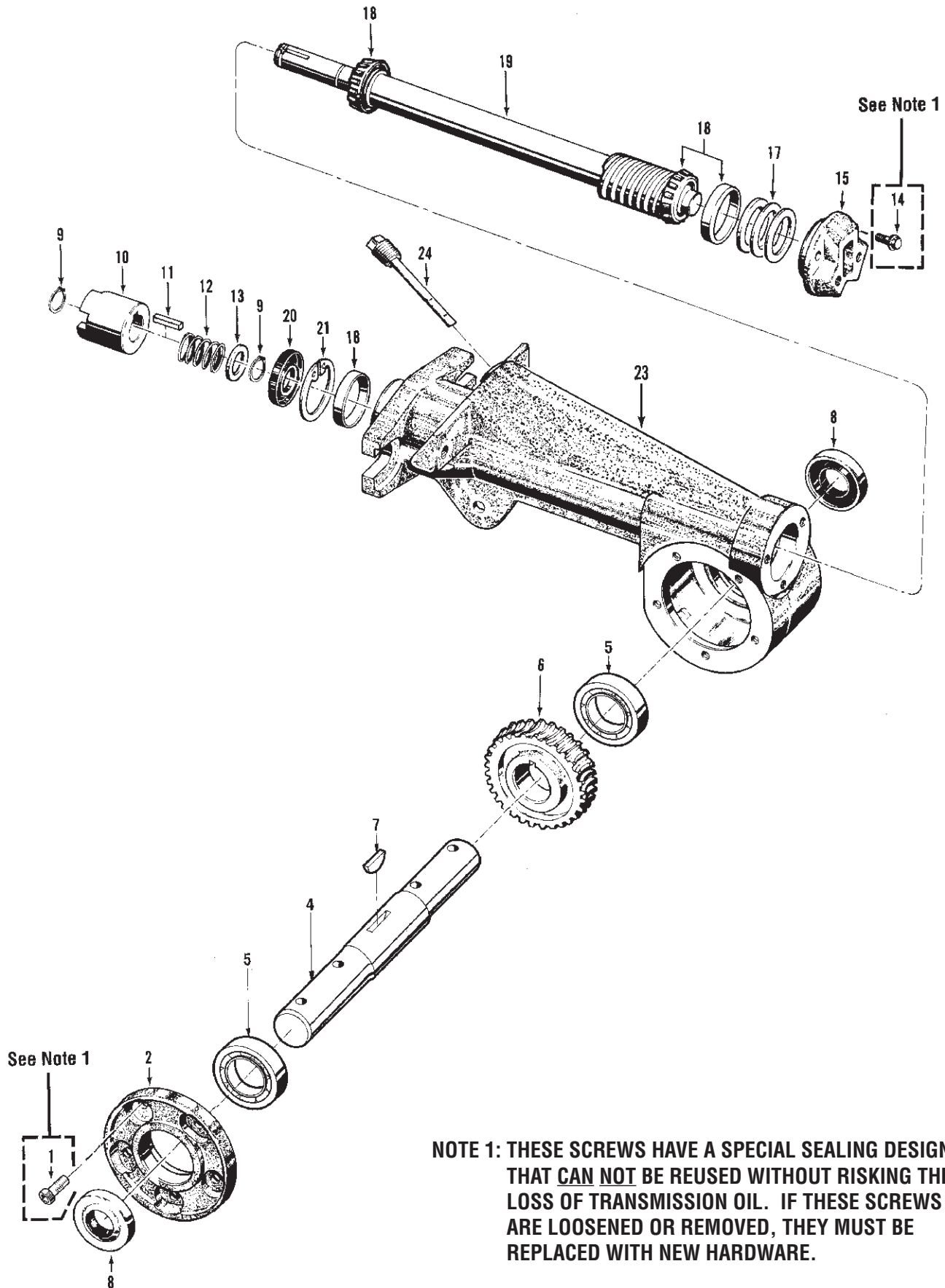
REF No.	PART No.	DESCRIPTION	QTY.	REF No.	PART No.	DESCRIPTION	QTY.
TRANSMISSION COVER & SHIFT LEVER BRACKET ASSEMBLIES							
1	1186299	Bolt-hex hd., #10-32 x 3/8", self-locking flange	3	35	GW-9301	Key-3/16 sq. x 1"	3
2	GW-9463	Knob-tines/PTO clutch lever, tapered, plastic	1	36	1100004	Bolt-hex hd., 5/16-24 x 3/4", self-locking flange, Grade 5	1
3	GW-2263	Detent Plate-tines/PTO clutch lever	1	37	GW-9944	Washer-disc spring (concave)	1
4	777120945	Decal-operating instructions, detent plate	1	38	GW-2107	Pulley-transmission drive, cast iron	1
5	1186349	Bolt-flanged hex hd., 3/8-16 x 1-1/2"	4	39	GW-50027	Washer-flat, hardened shoulder 1-1/4"	1
7	1186329	Bolt-flanged hex hd., 5/16-18 x 3/4", Grade 5	1	40	1186310	Bolt-hex hd., 1/4-20 x 3/4", front bearing cap	3
9	736-0275	Washer-flat, 5/16", S.A.E.	1	42	718-04007	Cap-front bearing	1
10	GW-2149	Bracket-shift levers	1	43	721-04044	Seal-oil, front bearing cap	1
11	GW-9362	Pin-spring, 1/8"	1	45	GW-1224-1	Shim-front bearing cap, .010" thick	As Req'd
12	GW-9838	Nut-castle (slotted), 1/2"-20, call Tech Service for tightening instructions.	1	45	GW-1224-2	Shim-as above, .030"	As Req'd
13	GW-9934	Washer-shoulder, 1/2"	1	45	GW-1224-3	Shim-as above, .005"	As Req'd
14	GW-9932	Washer-disc spring	2	45	GW-1224-4	Shim-as above, .062"	As Req'd
15	GW-2178	Lever-wheel speed shift	1	46	GW-1714	Bearing & Race (incl. one bearing GW-9400 and one cup (race) GW-9401) ...	2
16	GW-2523	Cover-power unit transmission ...	1	47	GW-2655	Shaft-main drive, power unit	1
17	GW-1123	Gasket-transmission cover	1	48	721-04030	Seal-oil, drive shaft, rear	1
18	710-0376	Bolt-hex hd., 5/16-18 x 1", Grade 5, (remove with care)	1	49	GW-9517	Retaining Ring-(snap ring), internal	1
19	712-3010	Nut-hex, 5/16"-18	1	PINION SHAFT ASSEMBLY			
20	1901439	Spring-neutral plunger (remove with care)	1	50	715-0121	Pin-roll (spiral), 1/4 x 2"	2
21	GW-1035	Plunger-neutral (remove with care)	1	51	718-04006	Plug-retaining, pinion bearing	2
22	1901440	Clip Ring-retains neutral plunger .	1	52	GW-9604	O-Ring-retaining plug	2
23	1186393	Nut-hex, flange locknut, 3/8"-16...	1	53	GW-1132-1	Shim-retaining plug, 1-1/64" inner dia., .033" thick (on right side only one GW-1132-1 shim is also used between bearing and washer, Ref. No.'s 54 & 55)	As Req'd
24	1902004	Bolt-hex hd., 3/8-16x1-1/2", threaded full length	1	53	GW-1132-2	Shim-same as GW-1132-1, .062"	As Req'd
TINES/PTO CLUTCH LEVER ASSEMBLY				53	GW-1132-3	Shim-same as GW-1132-1, .010"	As Req'd
25	786-04002	Lever-eccentric, tines/PTO clutch.	1	54	GW-9404	Bearing-ball, pinion shaft	2
26	710-3013	Bolt-hex hd., 1/4-20 x 1/2"	1	55	GW-1126	Washer-pinion shaft	2
27	741-04008	Bushing-tines/PTO clutch lever eccentric shaft	1	56	GW-1222	Stem Pinion-slow speed gear & shaft	1
28	GW-9516	Retaining Ring-(snap ring), external	2	57	GW-9502	Ring-retaining, external	1
29	GW-2461	Eccentric-shaft, tines/PTO clutch lever	1	58	GW-2656	Worm Gear-bronze, wheel drive ...	1
30	GW-9911	Lockwasher-hi-collar, 1/4"	1	59	GW-9300	Key-3/16" x 5/8"	1
31	GW-9672	Screw-socket hd., 1/4-20 x 3/8" ...	1	60	GW-1233	Gear-fast speed pinion	1
DRIVE SHAFT ASSEMBLY				(continued on page 53)			
33	716-0101	Retaining Ring-external	1				
34	1909139	Dog Clutch-power unit	1				

POWER UNIT TRANSMISSION ASSEMBLIES (Continued from page 53)



REF No.	PART No.	DESCRIPTION	QTY.	REF No.	PART No.	DESCRIPTION	QTY.
(continued from page 53)							
WHEEL SHAFT ASSEMBLY							
61	721-04031	Seal-oil, wheel shaft	2	75	611-04003	Eccentric Shaft-wheel speed shifting	1
62	1909950	Retaining ring-external	2	76	GW-1441	Spring-eccentric shaft	1
63	GW-1166-1	Shim-wheel shaft, 1-1/64" inner dia., .062" thick	As Req'd	TRANSMISSION HOUSING			
63	GW-1166-2	Shim-as above, .030" thick	As Req'd	78	GW-2109	Housing-power unit transmission (Empty housing without covers, shafts, gears, seals, etc.)	1
63	GW-1166-3	Shim-as above, .015" thick	As Req'd	79	GW-9359	Pin-alignment	1
63	GW-1166-4	Shim-as above, .010" thick	As Req'd	MISCELLANEOUS PARTS			
63	GW-1166-5	Shim-same as above, .005" thick	As Req'd	80	1100067	Bolt-hex hd., 1/2-13 x 2" Grade 5.	2
64	GW-1086	Bushing-bronze, wheel shaft bearing	2	81	GW-9928	Washer-disc spring (concave), domed side faces bolt head	2
65	911-04025	Shaft-wheel, 15-5/8" w/ Key	1	82	GW-2126	Post-with threaded hole for Ref. No. 80	2
66	714-04014	Key-Hi Pro, 1/4" x 1-3/4"	1	83	1105620	Plug-pipe, 1/4"	2
67	GW-1223	Gear-slow speed, wheel drive	1	84	GW-9122	Plug-red plastic, thread protector	1
68	GW-1232	Gear-fast speed, wheel drive	1	85	GW-9205	Clip-forward interlock system plug connector (see page 47)	1
69	GW-1237	Dog Clutch-wheel drive	1	86	777120944	Decal-forward interlock wire harness	1
70	GW-1112	Pin-clutch guide, 1/4" diameter	3	TRANSMISSION ASSEMBLY			
ECCENTRIC SHAFT ASSEMBLY				—	618-04372	Transmission -power unit (Does NOT include Ref. 35-39. Does NOT include Shift Lever and Bracket Assemblies, Ref. 3, 4, 10, 15, 85, 86, etc.)	1
71	1911372	Pin-roll, 3/16" x 1-1/4" (spirol)	1				
72	619-04000	Lever-eccentric, wheel speed shifting	1				
73	721-04034	Seal-oil, eccentric shaft	1				
74	GW-1442	Pin-eccentric shaft, wheel speed shifting	1				

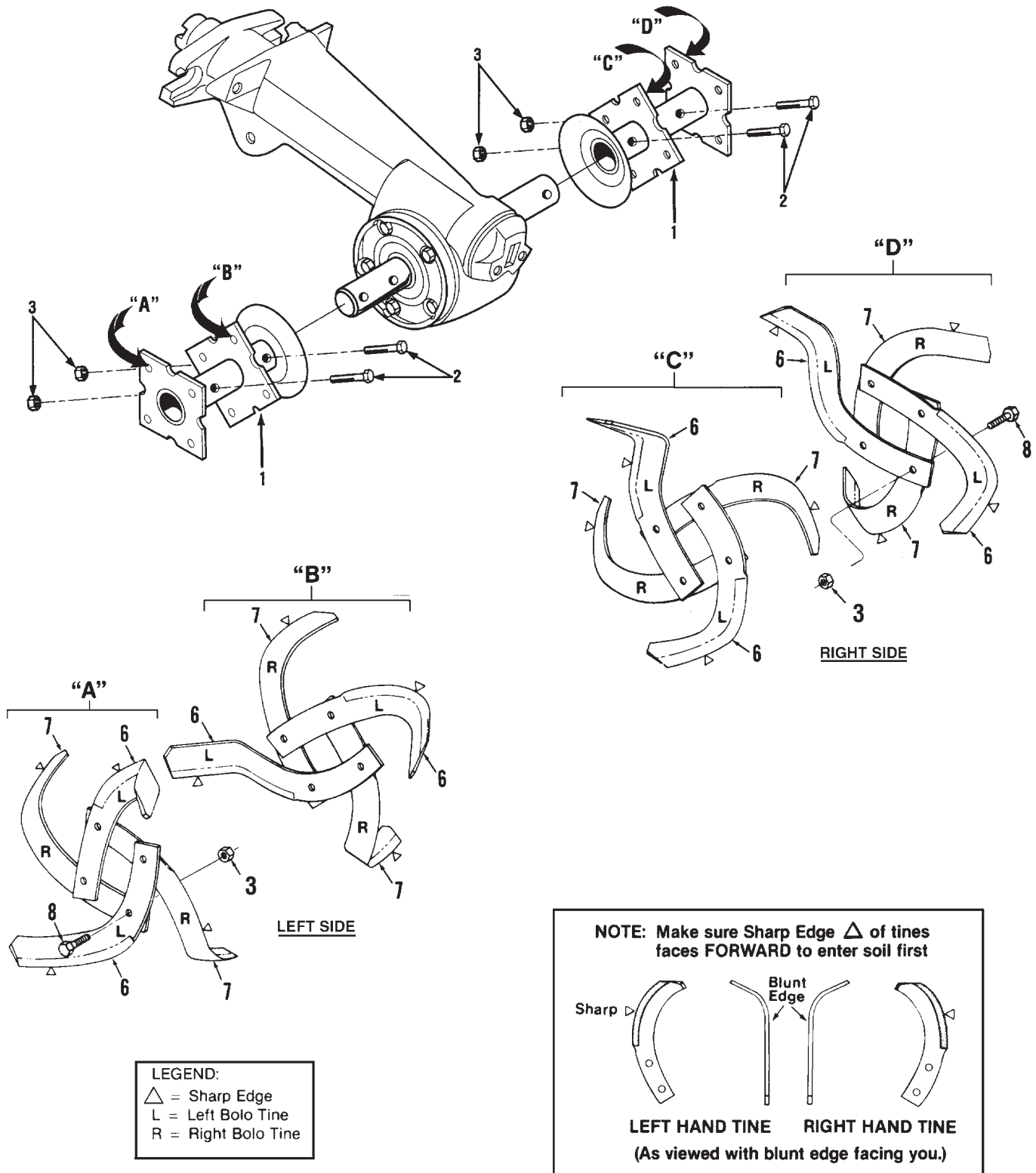
TILLER ATTACHMENT TRANSMISSION ASSEMBLIES



NOTE 1: THESE SCREWS HAVE A SPECIAL SEALING DESIGN THAT CAN NOT BE REUSED WITHOUT RISKING THE LOSS OF TRANSMISSION OIL. IF THESE SCREWS ARE LOOSENED OR REMOVED, THEY MUST BE REPLACED WITH NEW HARDWARE.

REF No.	PART No.	DESCRIPTION	QTY.	REF No.	PART No.	DESCRIPTION	QTY.
1	1915068	Screw-self-sealing, 1/4"-20 x 5/8"	5			thick	Req'd
2	GW-20873	Cover-tiller housing	1	17	GW-1224-3	Shim-same as above, .005"	As
4	711-04082	Shaft-tiller tine	1			thick	Req'd
5	741-3037	Ball Bearing.....	2	17	GW-1224-4	Shim-same as above, .062"	As
6	1901976	Worm Gear-bronze, tiller tine shaft	1			thick	Req'd
7	GW-1104	Key-tiller tine shaft, woodruff key.	1	18	GW-1714	Bearing & Race	2
8	721-04035	Seal-oil, tiller tine shaft	2			(incl. one bearing GW-9400 and one cup (race) GW-9401)	
TILLER DRIVE SHAFT ASSEMBLY				19	GW-2653	Shaft-main tiller drive.....	1
9	716-0101	Retaining Ring-external.....	2	20	721-04030	Seal-oil, drive shaft, front.....	1
10	1909138	Dog Clutch-tiller drive shaft	1	21	GW-9517	Retaining Ring-internal	1
11	GW-9301	Key-3/16" x 1".....	1	TRANSMISSION HOUSING AND DIPSTICK			
12	GW-2127	Spring-dog clutch	1	23	1901971	Housing-tiller attachment (Empty housing without shafts, gears, seals, dipstick, etc.)	1
13	GW-1138-1	Shim-dog clutch, 1/16"(.62") thick .	1	24	1909157	Dipstick-oil, tiller attachment	1
14	1915069	Screw-self-sealing, 1/4"-20 x 7/8"	3	TRANSMISSION ASSEMBLY			
15	GW-1115	Cap-rear bearing	1	—	618-04003	Transmission -Tiller (Includes Ref. 1-24)	1
17	GW-1224-1	Shim-front bearing cap, .010" thick	As Req'd				
17	GW-1224-2	Shim-same as above, .030"	As				

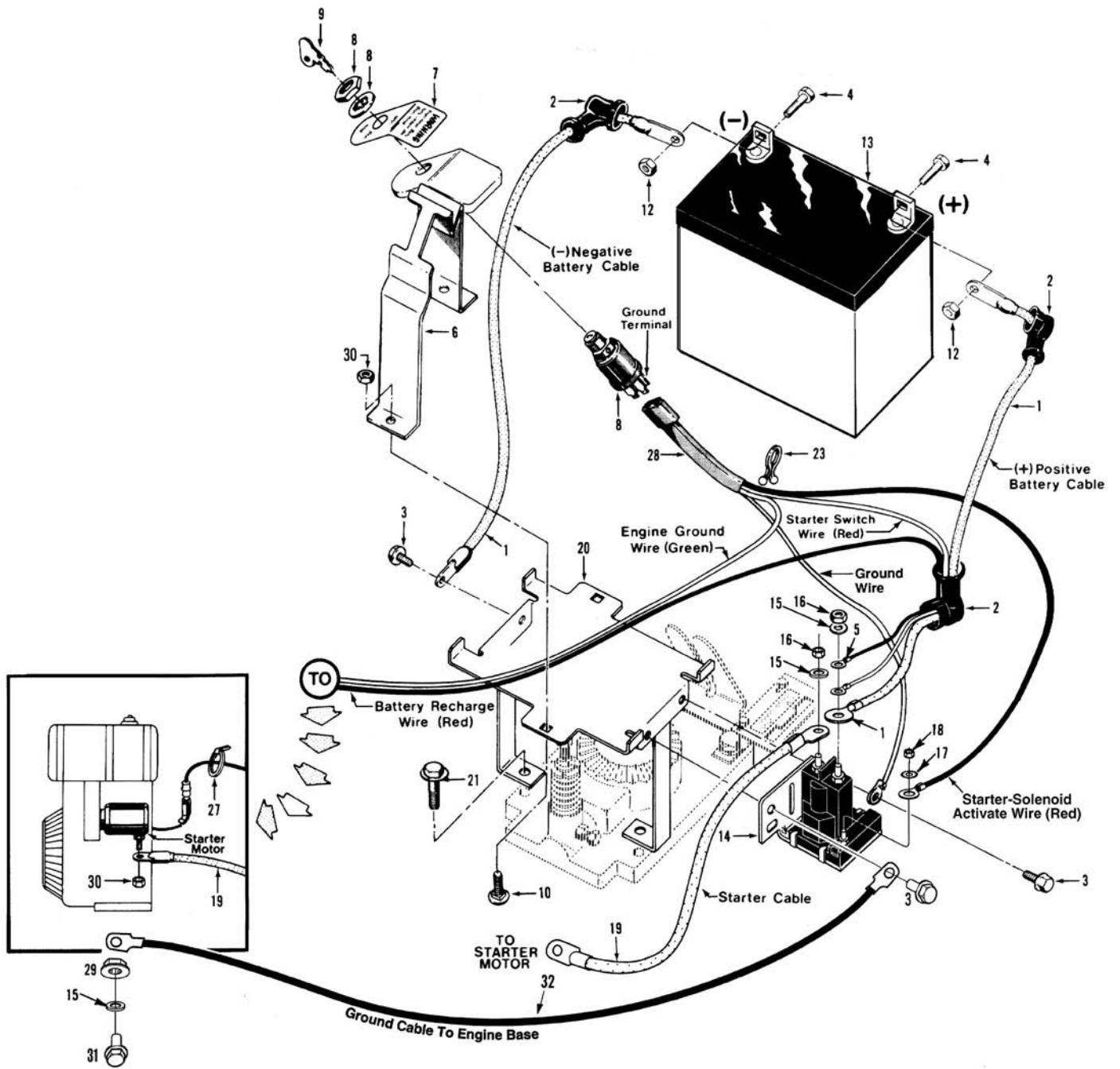
BOLO TINE ASSEMBLIES



REF No.	PART No.	DESCRIPTION	QTY.
STANDARD TILLING TINES			
1	1901975	Tine Holder—welded steel, fits left or right sides	2
2	710-3096	Bolt—hex hd., 3/8-16 x 2"	4
3	712-3000	Locknut—hex, 3/8"-16.....	20
6	GW-1270-1	Bolo Tine—single, left hand. Tine is stamped either "EL" or "AL"	8
7	GW-1270-2	Bolo Tine—single, right hand. Tine is stamped either "ER" or "AR"	8
8	710-3005	Bolt—hex hd., 3/8-16 x 1"	16

REF No.	PART No.	DESCRIPTION	QTY.
CUSTOM TILLING TINES			
Special hard-faced, high-chrome carbon alloy tines that are thicker than standard Bolo Tines. These tines better resist the abrasive action of rocky, gritty or sandy soil as compared to standard Bolo Tines, and are especially suited for custom tilling or market gardening.			
---	GW-10802	Custom Tilling Tine Kit—(Incl. eight each of Part GW-2475-1 and GW-2475-2 tines and sixteen each of Ref. No.'s 8 and 10	1
---	GW-2475-1	Bolo Tine, Custom Tilling—single, left hand	8
---	GW-2475-2	Bolo Tine, Custom Tilling—single, right hand.....	8

ELECTRIC START SYSTEM



REF No.	PART No.	DESCRIPTION	QTY.	REF No.	PART No.	DESCRIPTION	QTY.
1	GW-96515	Cable–battery, positive and negative terminals	2	14	GW-96514	Solenoid–starter, includes nuts and washers for cables and wires ..	1
2	GW-97020	Boot–terminal insulating.....	3	15	736-0119	Lockwasher–5/16"	3
3	GW-9552	Screw–self-threading, 1/4-20 x 1/2".....	3	16	1186211	Nut–hex, 5/16"-24	2
4	1186309	Bolt–hex hd., 1/4-20 x 5/8"	2	17	736-0147	Lockwasher–external tooth, #10.	1
5	1901894	Wire–recharge (red)	1	18	GW-9853	Nut–hex, #10-32,	1
6	GW-2614	Battery Hold-down Clamp–with attached Key Switch Plate	1	19	GW-96510	Cable–solenoid to starter motor .	1
7	777S30648	Decal–ignition switch instruc.....	1	20	GW-2557	Battery Bracket	1
8	725-0267B	Key Switch–includes two ignition keys (Ref. No. 9), one lockwasher, and one mounting nut (lock-washer and nut not available separately)	1	21	1186349	Bolt–flanged hex hd., 3/8-16 x 1-1/2"	2
9	725-0201	Key–ignition, one pair	1	23	GW-9265	Tie–plastic, wire retaining	1
10	1186073	Bolt–carriage, 1/4-20 x 1-1/4"	2	27	725-0157	Tie–plastic.....	2
11	1100241	Lockwasher–spring lock, 1/4"	2	28	725-04346	Wire Harness & Connecting Terminal Assembly	1
12	712-3006	Nut–hex, 1/4"-20.....	2	29	712-3010	Nut–flange lock, 5/16"-18	1
13	725-1706A	Battery–12 volt, 270 CCA	1	30	1186389	Locknut–hex, 1/4"-20.....	3
				32	1901202	Cable–ground, solenoid to engine block	1
				33	710-3180	Bolt–flange lock, 5/16-18 x 1"	1