

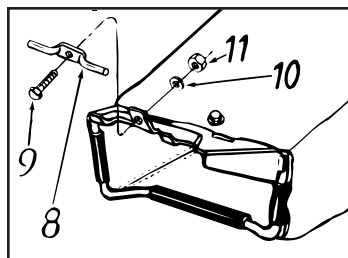
OWNER'S GUIDE

GRASS CATCHER

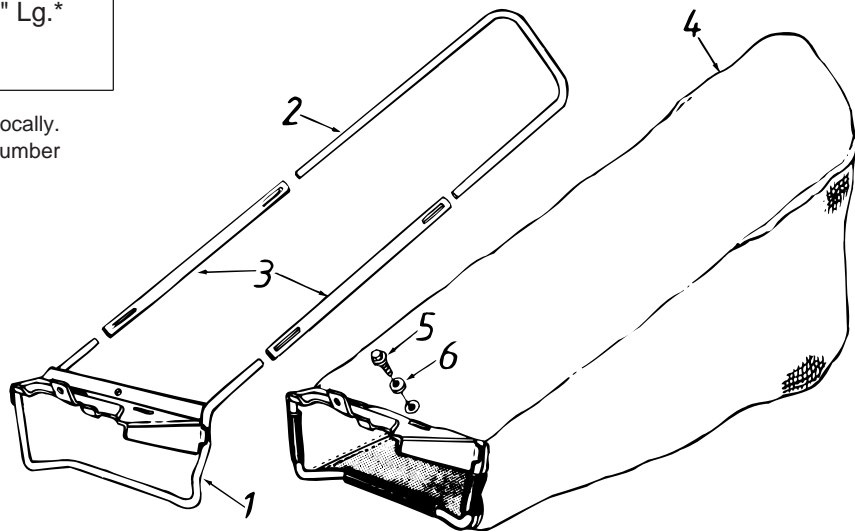
Model Number
190-110-000

PARTS LIST FOR MODEL 110 GRASS CATCHER

| REF. NO. | PART NO. | CODE | DESCRIPTION |
|----------|----------|------|--|
| 1 | 16839B | | Frame—Lower Ass'y. |
| 2 | 747-0575 | | Frame—Upper |
| 3 | 749-0774 | | Tube Support |
| 4 | 764-0271 | | Grass Bag |
| 5 | 710-0599 | | Hex Wash. Hd. TT-Tap Scr. 1/4-20 x 5" Lg. |
| 6 | 736-0270 | | Bell-Wash. 1/4" I.D. |
| 8 | 747-0870 | N | Grass Bag Hook |
| 9 | 710-0751 | | Hex Bolt 1/4-20 x .62" Lg.* |
| 10 | 736-0329 | | L-Wash. 1/4" I.D.* |
| 11 | 712-3006 | | Hex Nut 1/4-20 Thd.* |



*For faster service obtain standard nuts, bolts and washers locally.
If these items cannot be obtained locally, order by part number
and size as shown on parts list.



HELPFUL OPERATING HINTS

When using the grass catcher, keep the engine throttle in the "FAST" position so grass discharges from the chute properly and completely fills the bag.

Always clean the grass catcher bag after use. Grass remaining in the bag will cause mildew.

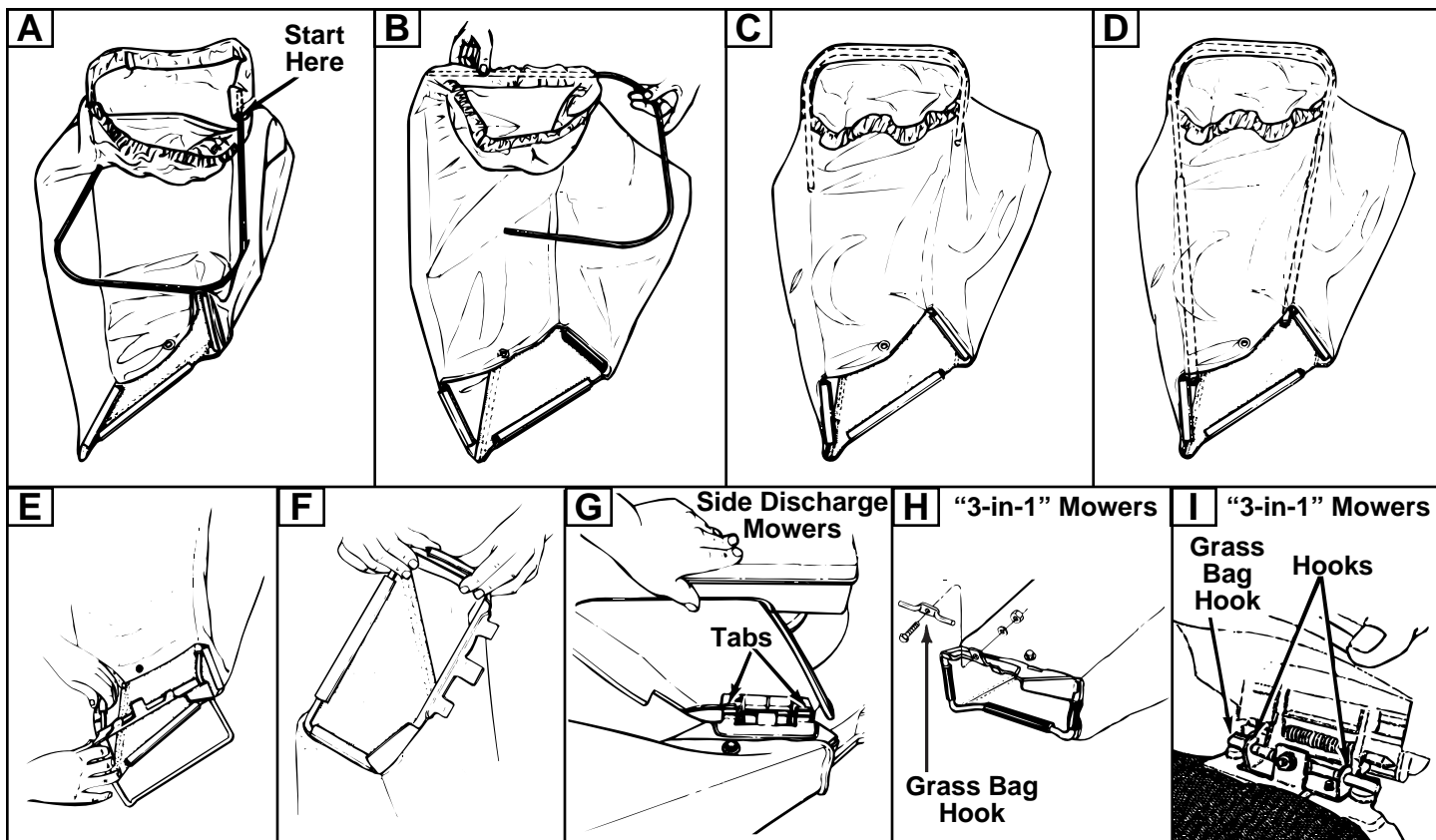
If any part of the grass catcher rubs against the wheels, bend the catcher frame slightly to prevent wear on the bag.



WARNING: Always stop the engine before removing the grass catcher. Do not restart the engine until the grass catcher has been put back on the mower in its proper place. Do not make any adjustment to the grass catcher assembly while the blade is revolving.

NOTE: Under normal usage bag material is subject to wear and should be checked periodically. Be sure any replacement bag complies with the mower manufacturer's recommendations. For replacement bags, use only factory authorized replacement bag No. 764-0271.

NOTE: Specifications subject to change without notice or obligation.



ASSEMBLY INSTRUCTIONS

- Attach the upper frame to the grass catcher bag as follows.
 - Lay the grass bag so the black plastic side is to the bottom.
 - Insert the long end of the upper frame into the cloth channel in the grass bag, starting at the point shown in figure A.
 - Feed all the material onto the long side of the frame. See figure B.
 - Then insert the long end of the frame inside the bag as you work the bag around the frame.
 - Insert the other end of the frame inside the bag. See figure C.
- Place one tube support inside the grass bag. Insert one end of the upper frame into the tube support. Tap on with a soft hammer or mallet. Attach the other tube support in the same manner. See figure D.
- Slide the ends of the lower frame assembly into the tube supports as shown in figure E. Tap on with a soft hammer or mallet if necessary.
- Secure the bag to lower frame assembly as shown in figure F by working the plastic channels on bag over frame, starting with the bottom edge.
- Place belleville washer onto self-tapping screw (crowned side of washer goes against the head of screw). Place screw through eyelet in grass bag. Secure to lower frame as shown in illustration on reverse side.

- Close the top of the bag by stretching the loose material over the end of the frame.



WARNING: Never operate the mower with the bag open.

TO ATTACH GRASS CATCHER TO MOWER

Side Discharge Mowers:

Raise the chute deflector on your mower. Slip the two outside tabs on the grass catcher frame underneath the hinge pin on the chute deflector as shown in figure G. Release the chute deflector to lock the grass catcher in position.

"3-in-1" Mowers:

Place the grass bag hook in position against the grass catcher frame. Secure with 5/8" long hex bolt, lock washer and hex nut. See figure H. Tighten securely.

Lift the mulching plug on your mower. Slide the grass bag into position so the grass bag hook is inside the two hooks on the mulching plug adapter plate. Lower the mulching plug into operating position. See figure I.

TO REMOVE GRASS CATCHER

Lift the chute deflector (or mulching plug), and remove grass catcher from the adapter plate. Carefully lower the chute deflector (or mulching plug) into operating position.

Empty the grass through the top opening on the grass catcher. Be certain to close bag before reattaching to mower.

For Replacement Parts, Contact:

SERVICE DEPARTMENT • P.O. BOX 368022 • CLEVELAND, OHIO 44136-9722