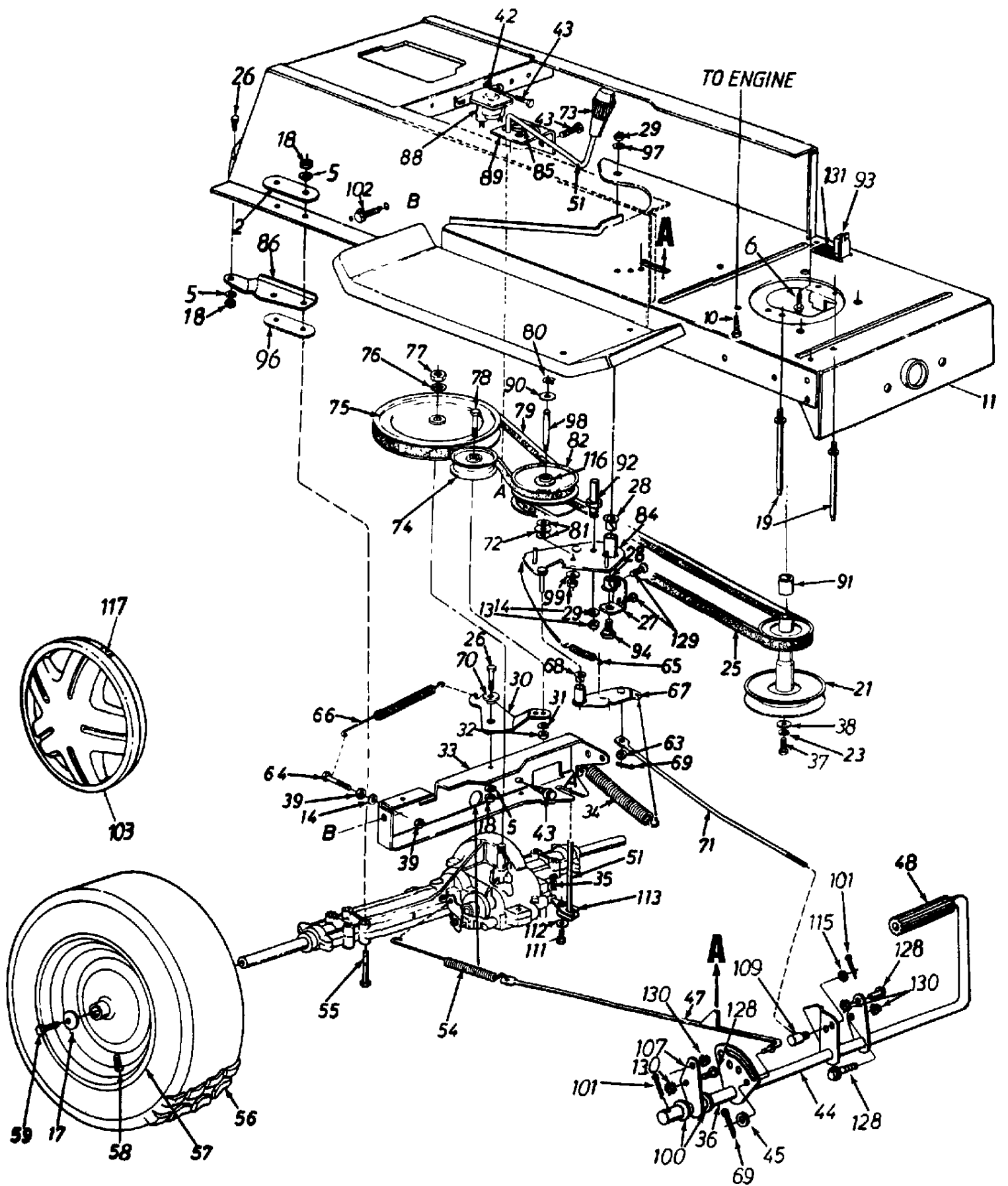


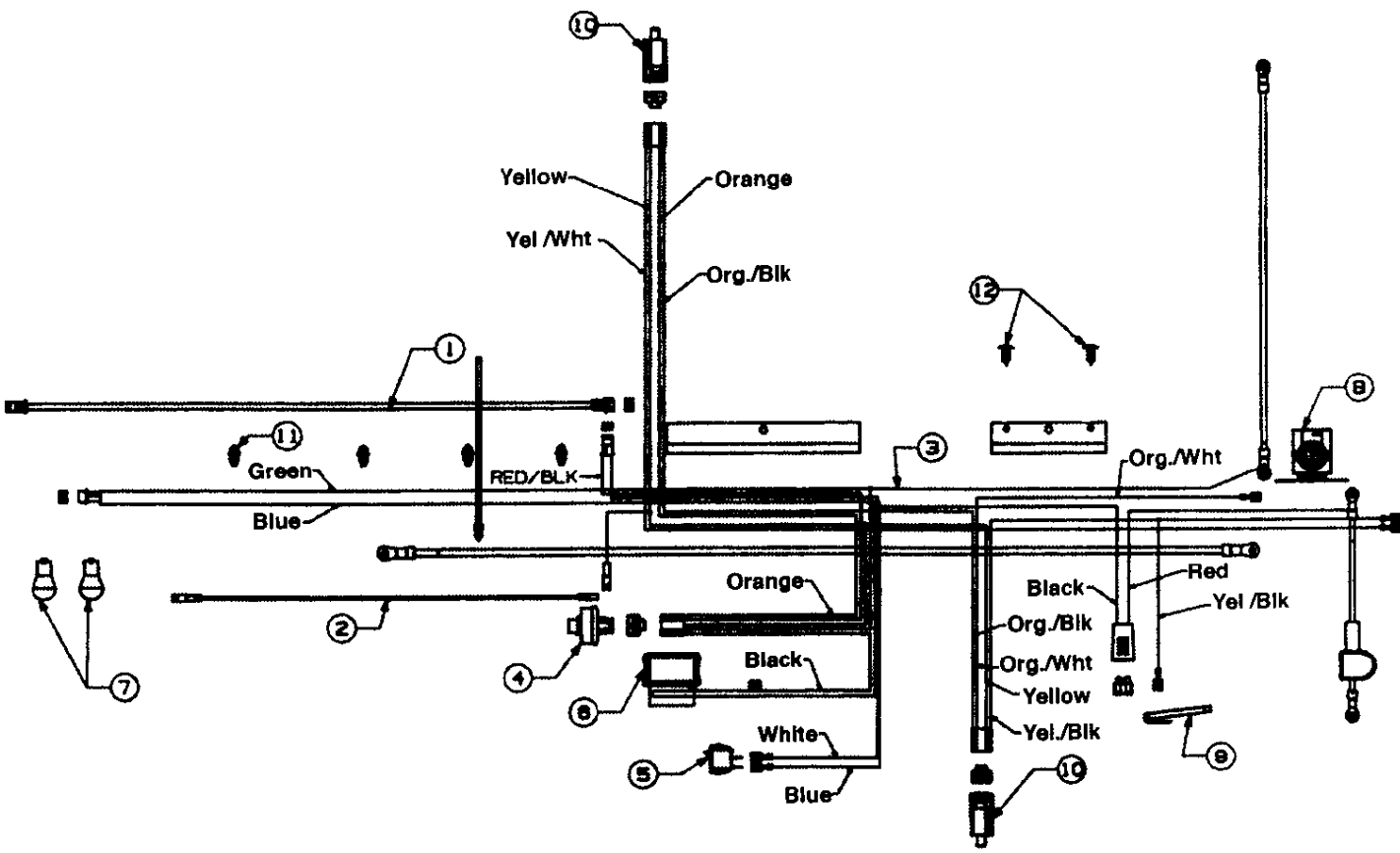
Ref #	Part Number	Qty	Description
1	783-0103		Connecting Rod
2	683-0029A		Pivot Link Ass'y. - L.H.
3	683-0028A		Pivot Link Ass'y. - R.H. (Uses "E"-Ring)
4	17710		Deck Hanger Link Ass'y.
5	14800A		Deck Hanger Link Ass'y.
6	14804A		Deck Hanger Link Ass'y.
7	748-0331		Shld. Spacer .318" I.D.
8	736-0264		Fl-Wash. .344" I.D. x .62" O.D.
9	736-0119		L-Wash. 5/16" I.D.
10	712-3010		Hex Nut 5/16-18 Thd. (Gr. 5)
12	714-0470		Cotter Pin 1/8" Dia.
13	736-0256		Fl-Wash. .635" I.D. x 1.0" O.D.
14	683-0003		Height Adj. Stop Lever Ass'y. (Incl. Ref. 15); Optional Part
15	08540		Knob Optional Part
16	710-0604		Hex Wash. TT-Tap Scr. 5/16-18 x .75" Lg.
17	748-0176		Flange Brg. .63" I.D. Optional Part
18	710-1238		Hex Wash. Hd. Scr. 5/16-18 x .875" Lg.
19	710-0118		Hex Bolt 5/16-18 x .75" Lg.
20	17730		Index Brkt.
21	783-0042A		Upper Frame - R.H. New Part
23	736-0267		Fl-Wash. .385" I.D. x .87" O.D.
24	736-0160		Fl-Wash. .531" I.D. x .93" O.D.
25	726-0272		Clamp
26	738-0526		Running Board Rod
27	710-3007		Hex Wash Hd Tap Scr
28	14802A		Link Deck Lift Ass'y
29	711-0723A		Adj. Ferrule 3/8-24 Thd
30	17712		Adj. Deck Lift Link
31	712-3066		Hex Nut 1/2-20 Thd. (Gr. 5)
32	711-0841		Lift Link Adjuster
33	17637A		Lift Shaft Ass'y.
34	725-1657A		Safety Switch (Deck) New Part
35	714-0145		Inter. Cotter Pin 3/8" Dia.
36	732-0637		Extension Spring
37	17636B		Stabilizer Bracket
38	738-0670		Shaft 1/2" Dia. x 10 28" Lg
39	732-0638		Extension Spring
40	720-0233		Grip (Lift Handle)
41	97675A		Deck Lift Handle Ass'y. New Part
42	738-0669		Shaft 3/8" Dia. x 9.34" Lg
43	747-0598		Disengagement Rod
44	97624		Stabilizer Shaft Ass'y New Part
45	732-0556		Extension Spring 7.58" Lg
46	783-0043		Upper Frame - L.H.
47	741-0313		Flange Brg 632" I.D.
48	17128A		Spring Retainer Brkt
49	716-0104		"E"-Ring
50	736-0425		Bell-Wash .325" I.D.



Ref #	Part Number	Qty	Description
2	17840		Transaxle Mtg. Brkt.
5	736-0119		L-Wash. 5/16" I.D.
6	380675H302 (1996)		Self tap screw 1/4 x .50
6	710-0599		Wheels, Rear
10	710-1315		Hex TT-Tap Scr. 3/8-16 x 1.5" Lg.
11	783-0310		Lower Frame Ass'y. New Part
13	712-3006		Hex Nut 1/4-20 Thd. (Gr. 5)
14	736-0329		L-Wash. 1/4" I.D.
17	736-0242		Bell-Wash. .345" I.D. x .88"
18	712-3010		Hex Nut 5/16-18 Thd. (Gr. 5)
19	711-1044		Belt Guard Stud 4.75" Lg. New Part
21	756-0982		Engine Pulley
22	736-0322		FI-Wash. 7/16" I.D. x 1.25"
23	736-0171		L-Wash. 7/16" I.D.
24	710-0757		Hex Bolt 7/16-20 x 1.50" Lg.
25	754-0280		Variable-Speed Belt
26	710-0118		Hex Bolt 5/16-18 x .75" Lg.
27	17963		Bearing Shaft Bracket Ass'y.
28	741-0495		Flanged Nyliner Brg. 5/8" I.D. x .88" Lg.
29	712-0241		Hex Nut 3/8-24 Thd.
30	17643		Idler Bracket (Used w/20" Wheels w/o 46" Deck)
	17694		Idler Bracket (Used w/18" Wheels or 46" Deck)
31	736-0169		L-Wash. 3/8" I.D.
32	712-0241		Hex Nut 3/8-24 Thd.
33	17629A		Transaxle Support Brkt.
34	732-0556		Ext. Spring .94" O.D. x 7.58"
35	714-0149B		Inter. Cotter Pin
36	750-0802		Spacer .63" I.D.
37	710-3029		Cap Scrw 7/16-20 x 1.25
38	736-0322		Flat Washer .450
39	712-0138		Hex Nut 1/4-28 Thd.
40	710-0776		Hex AB-Tap Scr. 1/4" x .62" Lg.
42	736-0222		Ext. L-Wash. 1/4" I.D.
43	710-0599		Hex Wash. Hd. S-Tap Scr. 1/4-20 x .50" Lg.
44	683-0123		Clutch/Brake Pedal Ass'y. New Part
45	736-0140		FI-Wash. .344" I.D. x .62"
47	747-0755A		Brake Rod Ass'y. New Part
48	735-0196		Foot Pad
51	17705		Shift Lever Ass'y.
54	732-0413		Ext. Spring .59" O.D. x 7.08" (Used w/20" Wheels w/o 46" Deck)
	732-0642		Ext. Spring 7.33" Lg. (Used w/18" Wheels or 46" Deck)
55	710-1068		Hex Bolt 5/16-18 x 3.5" Lg. (Used w/18" Wheels or 46" Deck)
	710-0189		Hex Bolt 5/16-18 x 3" Lg. (Used w/20" Wheels w/o 46" Deck)
56			Wheel Ass'y. Comp. Tire Only
57			Wheel Rim Only
	734-1675		Wheel Ass'y Comp., 20" x 8.0" (Round Shoulder)
	734-1596		Tire Only, 20" x 8.0" (Round Shoulder)
	634-0070		Rim Only, 20" x 8.0" (Round Shoulder)

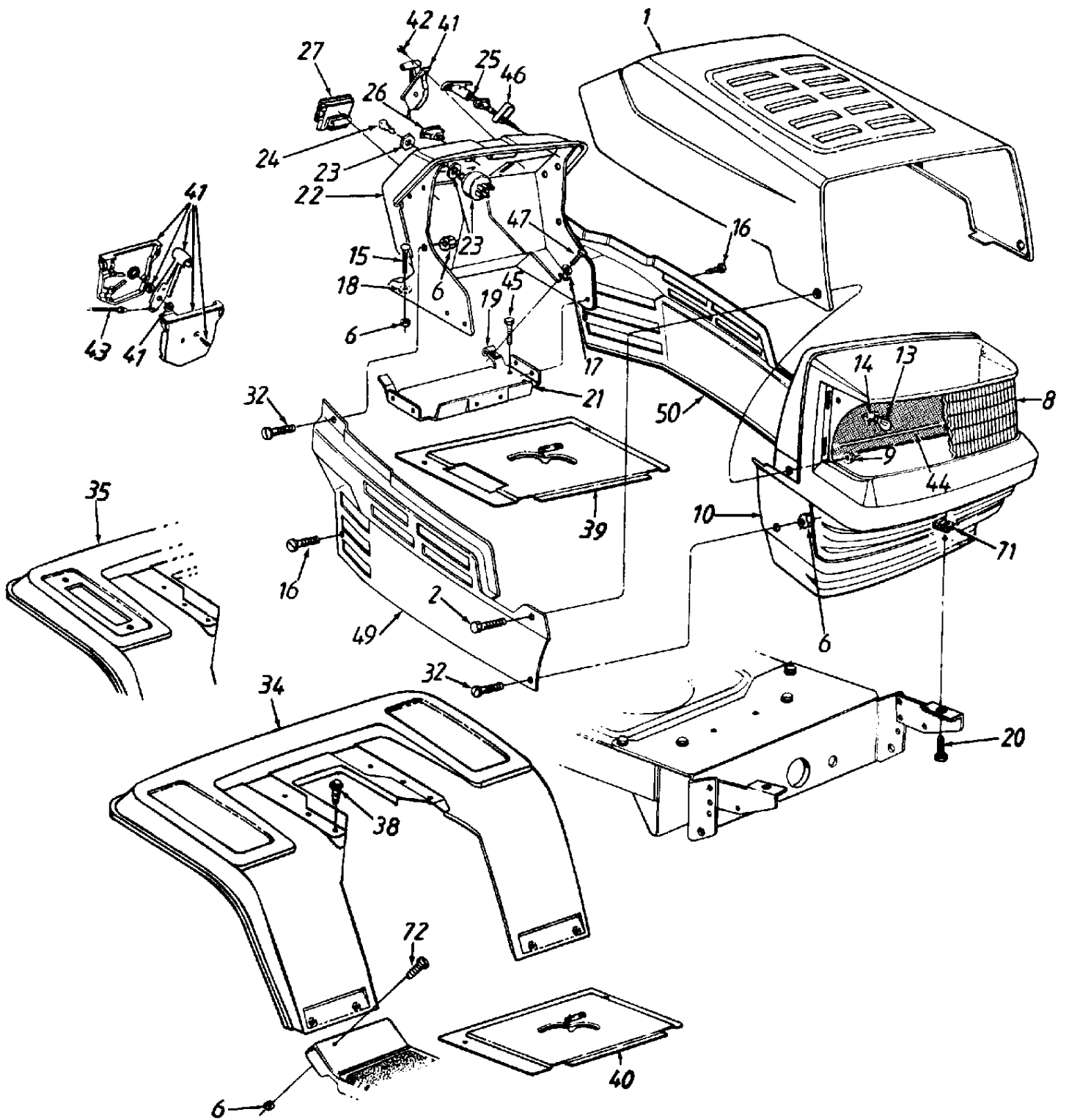
Ref #	Part Number	Qty	Description
	634-0104		Wheel Ass'y Comp., 20" x 8.0" (Square Shoulder)
	734-1730		Tire Only, 20" x 8.0" (Square Shoulder)
	1360675H302 (1996)		Rim Only, 20" x 8.0" (Square Shoulder)
	634-0079		Drive Frame, Lower/Pedal Assembly/Wheels, Rear
58	734-0255		Air Valve (Service Only)
59	710-0627		Hex Bolt 5/16-24 x .75" Lg.
63	736-0275		FI-Wash. .34" I.D. x .68" O.D.
64	710-0428		Hex Bolt 1/4-28 x 1.25" Lg.
65	732-0568		Ext. Spring
66	732-0384		Ext. Spring .62" O.D. x 6.12"
67	16554A		Variable Speed Torque Brkt. Ass'y.
68	741-0419		Flanged Bearing
69	714-0111		Cotter Pin 3/32" Dia.
70	748-0234		Shoulder Spacer .27" Lg
71	747-0530A		Speed Control Link
72	741-0405		Truss Bearing .56 Dia. x 1.25"
73	720-0232		Shift Knob
74	756-0643		FI-Idler Pulley 3.12" Dia
75	656-0005		"V" Pulley (Used w/18" Wheels or 46" Deck)
	656-0004		"V" Pulley (Used w/20" Wheels w/o 46" Deck)
76	736-0427		Bell-Wash .56" I.D. x 1.125"
77	712-3035		Hex Jam Nut 5/16-18 Thd.
78	710-0539		Hex Bolt 3/8-24 x 1.75" Lg.
79	754-0370		Variable Speed Belt
80	716-0114		Snap Ring .56" Dia
81	736-0355		FI-Wash.
82	717-0800A		Variable Speed Pulley Ass'y. 5" O.D.
84	16354B		Variable Speed Brkt. Ass'y.
85	732-0525		Comp Spring - Chp
86	17668		Axle Support Brkt. - R.H.
	17669		Axle Support Brkt, - L.H (Not Shown)
88	725-1426		Solenoid
89	17630		Shift Lever Bracket
90	736-0414		Teflon Washer .565" I.D.
91	750-0956		Spacer 1" I.D. x 1.25" Lg
92	711-1000		Belt Keeper 3" Lg.
93	725-1657A		Safety Switch (Clutch) New Part
94	738-0755		Shld. Bolt 3/8-24 x 3.12" Lg.
96	748-0334		Transaxle Spacer
97	736-0105		Bell-Wash .38" I.D. x .88"
98	738-0569		Shaft .56" Dia. x 3.875" Lg.
99	736-0331		Bell-Wash. 39" I.D. x 1.12"
100	736-0256		FI-Wash. .64" I.D. x .94"
101	714-0470		Cotter Pin 1/8" Dia x 1.25"
102	710-0604		Hex Wash Hd. Scr. 5/16-18 x .62" Lg.
103	734-1615		Hub Cap (Gray) Optional
	734-1614		Hub Cap (Beige) Optional
	734-1788		Hub Cap (Yellow) Optional
107	17860		Pedal Bracket
109	711-0198		Ferrule
111	710-0195		Hex Bolt 1/4-28 x .50" Lg.
112	736-0270		Bell-Wash. .265" I.D. x .75"
113	17707		Shift Lever Link Ass'y.
115	736-0140		FI-Wash. .385" I.D. x .62"
116	741-0404	2 Req'd	Needle Brgs.

Ref #	Part Number	Qty	Description
117	727-0425A		Spring Clip
128	710-0650		Hex Wash TT-Tap Scr. 5/16-18 x .75" Lg.
129	710-0776		Hex Wash AB-Tap Scr. 5/16-18 x .75" Lg.
130	712-0265		Hex Sems Nut 5/16-18 Thd.
131	732-0750A		Spring Switch New Part

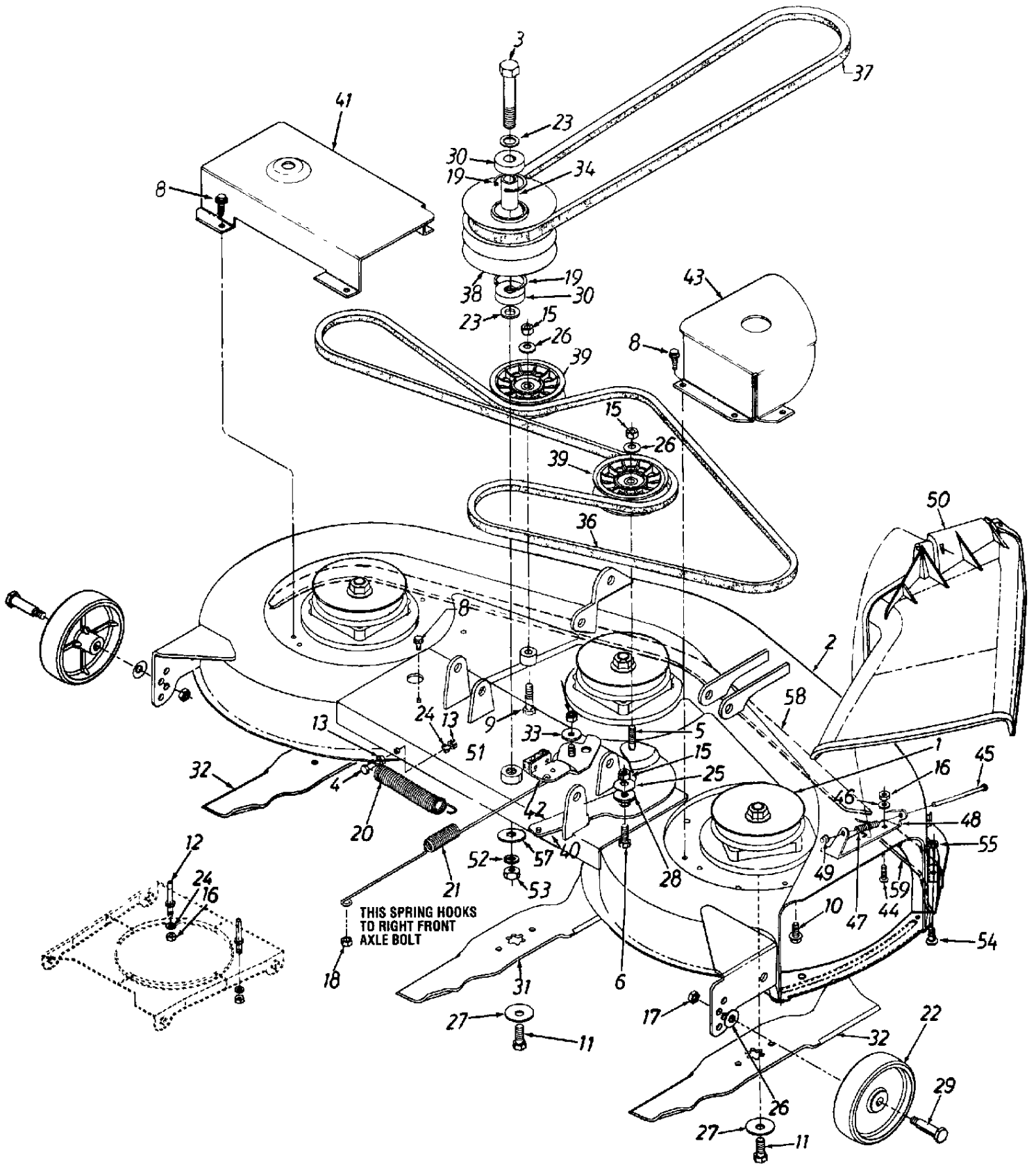


Ref #	Part Number	Qty	Description
1	629-0125		Harness Adapter (Alt.)
2	629-0208		Harness Adapter
3	1386675H302 (1996) 629-0302 Electrical/Switches		Wire Harness w/Light Switch and Amp New Part
	629-0301		Wire Harness w/o Light Switch and Amp New Part
4	725-0267		Ignition Switch
5	725-0634		Light Switch
6	725-0925		Ammeter
7	725-0963		Bulb
8	725-1426		Solenoid
9	725-1643		Safety Switch (Reverse)
10	725-1657A		Safety Switch
11	725-1711		Wire Retainer Clip New Part
12	726-3046		Ratchet New Part



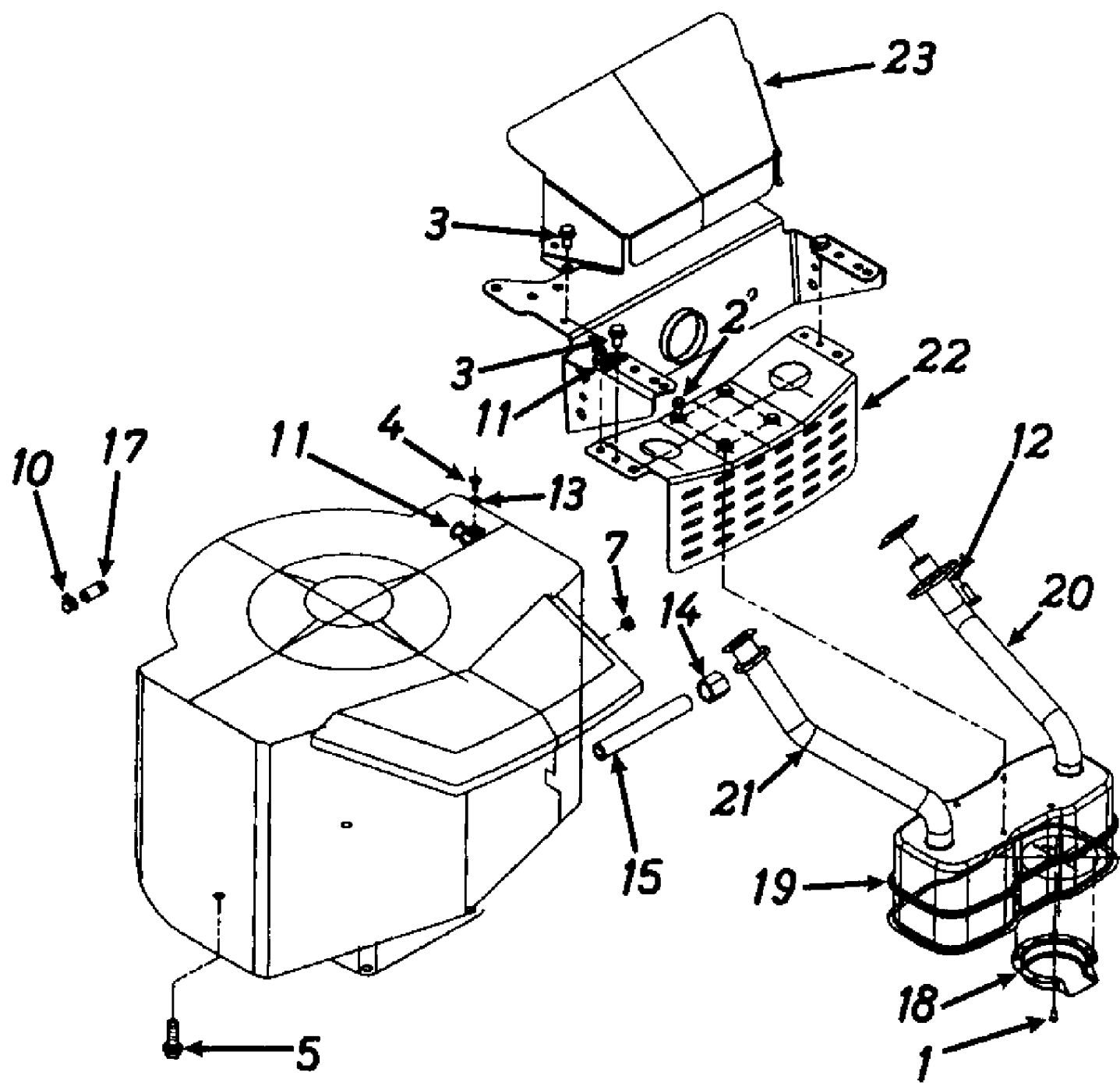


Ref #	Part Number	Qty	Description
1	783-0250		Hood
2	738-0952		Shld. Bolt .375" Dia. x .125" Lg.
6	712-0274		Hex Sems Nut 1/4-20 Thd.
8	731-1099A		Headlight Lens
9	712-3027		Flange L-Nut 1/4-20 Thd.
10	731-1097D		Grille New Part
13	725-0963		Lamp
14	725-1649		Socket
15	710-0703		Carriage Bolt 1/4-20 x .75" Lg.
16	710-0599		Hex Wash. Hd. TT-Tap Scr. 1/4-20 x .5" Lg.
17	736-0173		Fl-Wash. .281" I.D. x .73" O.D.
18	726-0233		Bolt Retainer 1/4" I.D.
19	712-0185		Speed Nut 1/4-20 Thd.
20	710-0118		Hex Bolt 5/16-18 x .75" Lg.
21	17632A		Gas Tank Support Brkt.
22	731-1096B		Dash w/Ammeter Hole
	731-1337A		Dash w/o Ammeter Hole
23	725-0267		Ignition Switch
24	725-0201		Ignition Key
25	746-0616A		Choke Control
	746-0614A		Choke Control
	746-3021		Choke Control (Vanguard & O.H.V.)
	746-0720		Choke Control (Tec.)
26	725-0634		Light Switch
27	725-0925		Ammeter
32	710-0924		Pan Hd. Scr. 1/4-20 x .75" Lg
34	17870A		Fender New Part
35	17871B		Fender w/Cutout New Part
38	710-0726		Hex Wash. Hd. AB-Tap Scr. 5/16 x 75" Lg.
39	17954B		Shift Cover w/Cutout New Part
40	17286B		Shift Cover New Part
41	831-0823A		Throttle Box Ass'y
42	710-0779A		Truss Mach. AB-Tap Scr #10 x 5" Lg.
43	746-0776		Throttle Control Wire
	746-0634		Throttle Control Wire
	746-0638		Throttle Control Wire (Tec )
44	777-9206		Grille Reflector Label
45	710-0603		Hex Wash Hd. B-Tap Scr 5/16-18 x .5" Lg
46	17782		Choke Retainer
47	710-0642		Hex TT-Tap Scr. 1/4-20 x 75" Lg.
48	736-0270		Bell-Wash. 1/4" I.D.
49	783-0150A		Side Panel - R.H
50	783-0151		Side Panel - L.H.
71	726-0211		U-Nut 5/16-18 Thd
72	710-0286		Truss Mach. Scr. 1/4-20 x .5" Lg.
	629-0308		Headlight Harness (Not Shown)
			Muffler (Single Cylinder Engine)
	751-0302		Muffler For Use with 11.5, 12 & 12.5 H.P. B & S
	712-0250		Conduit L-Nut
	751-0630		Muffler For Use with 12 & 12.5 H.P. Tecumseh
	721-0208		Gasket

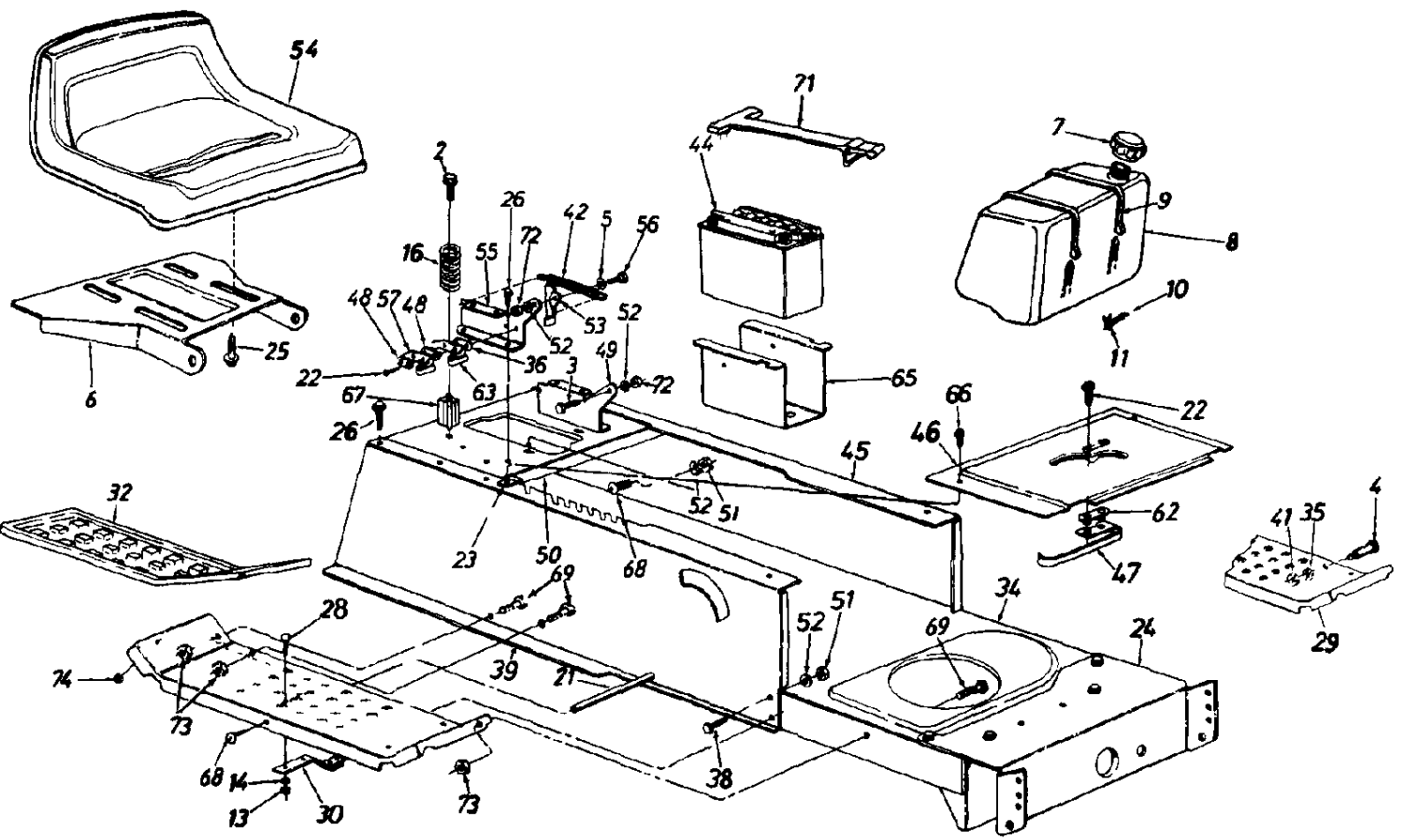


Ref #	Part Number	Qty	Description
1	618-0116		Blade Spindle Ass'y.
2	683-0067		46" Deck Ass'y.
	380675H302 (1996)		46" Deck Ass'y. Comp. (For Service) New Part
	913-06921		Mowing Deck Assembly
3	710-3151		Hex Bolt 5/8-18 x 4.25" Lg.
4	710-0428		Hex Bolt 1/4-28 x 1.25" Lg.
5	710-0459		Hex Bolt 3/8-24 x 1.5" Lg.
6	710-1039		Hex Bolt 3/8-24 x 1" Lg.
8	710-0599		Hex Wash. Hd. TT-Tap Scr. 1/4-20 x .5" Lg.
9	710-0151		Hex Bolt 3/8-24 x 2" Lg.
10	710-1260		Hex Flange Bolt 5/16-24 x .75" Lg.
11	710-1262		Hex Patch L-Bolt 7/16-20 x 1" Lg.
12	711-0993		Belt Guard Pin
13	712-0138		Hex Nut 1/4-28 Thd.
14	712-0429		Hex Ins. L-Nut 5/16-18 Thd.
15	712-0241		Hex Nut 3/8-24 Thd.
16	712-3006		Hex Nut 1/4-20 Thd. (Gr. 5)
17	712-0181		Hex Top Jam Nut 3/8-16 Thd.
18	712-0158		Hex Center L-Nut 5/16-18 Thd.
19	716-3020		Int. Snap Ring
20	732-0594A		Ext. Spring .88" O.D. x 6.17"
21	732-0723		Ext. Spring .788" O.D. x 15.5"
22	734-0973		Deck Wheel
23	736-0290		FI-Wash. .635" I.D. x 1" O.D. x .06"
24	736-0329		L-Wash. 1/4" I.D.
25	736-0331		Bell-Wash. 3/8" x 1.125" x .062"
26	736-0105		Bell-Wash. 3/8" x .87" x .064"
27	736-0510		Bell-Washer
28	738-0347		Shoulder Spacer .625" I.D. x .169"
29	738-0373		Shld Bolt .498" x 1.525"
30	741-0524		Ball Brg 625" I.D. x 1.574" O.D. x .47"
31	742-0543		High Lift Blade 14.88" Lg.
32	742-0542		High Lift Blade 16.28" Lg.
33	748-0234		Shoulder Spacer
34	750-0932A		Spacer .635" I.D. x .088" O.D. New Part
36	754-0440		V-Belt
37	754-0439		V-Belt
38	756-0638		Pulley Double Deck 5" O.D.
39	756-0627		Flat Idler Pulley 3.5 O.D.
40	783-0046		Idler Deck Bracket New Part
41	783-0063A		Belt Cover L.H.
42	17116		Deck Brake Brkt. Ass'y
43	17258A		Belt Cover Brkt. R.H.
44	710-0258		Hex Bolt 1/4-20 x 62" Lg.
45	711-0792		Hinge Pin
46	736-0270		Bell-Wash 1/4" I.D.
47	732-0602		Torsion Spring
48	703-1693		Hinge Mtg. Brkt
49	726-0106		Push Nut
50	731-1032		Chute Ass'y Comp. (Incl Ref. 45, 47, 48, 49, 50)
51	750-0960		Spacer .635" I.D. x 1" O.D.
52	736-0158		L-Wash. 5/8" I.D.
53	712-0337		Hex Nut 5/8-18 Thd.
54	710-0167		Carriage Bolt 1/4-20 x .5" Lg.
55	712-0271		Hex Sems Nut 1/4-20 Thd.

Ref #	Part Number	Qty	Description
57	736-3088		FI-Wash. .635" I.D.
58	783-0141		Center Deck Skirt
59	783-0142		R.H. Deck Skirt



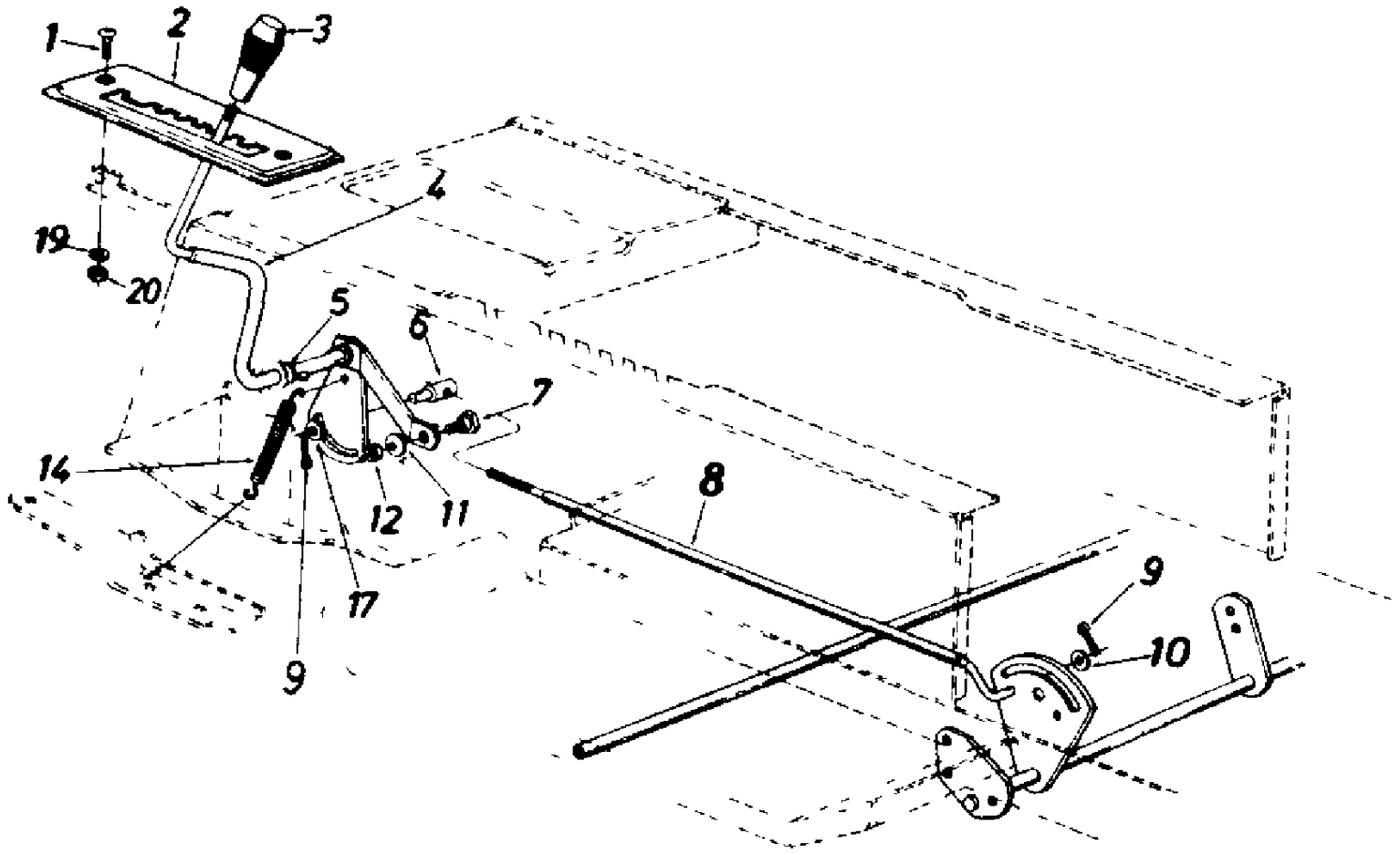
Ref #	Part Number	Qty	Description
1	710-0148		Hex Tap Scr. #8-32 x .38" Lg.
2	710-0599		Hex Wash TT-Tap Scr 1/4-20 x .5" Lg
3	710-0604		Hex Wash TT-Tap Scr 5/16-18 x .62" Lg
4	710-0779A		Truss Mach Scr. #10 x .5" Lg.
5	710-1315		Hex Hd Tap Scr 3/8-16 x 1.25" Lg.
6	710-3015		Hex Bolt 1/4-20 x .75" Lg.
7	712-0271		Hex Sems Nut 1/4-20 Thd
9	721-0346		Exhaust Gasket
10	726-0205		Hose Clamp
11	726-0272		Clamp
12	736-0329		L-Wash 1/4" I.D.
13	736-3067		FI-Wash. .188" I.D. x .438" O.D.
14	737-0143		Oil Drain Cap
15	737-0164		Pipe Nipple 3/8 x 18 NPT.
17	751-0535-26		Fuel Line 26" Lg
18	751-0564		Deflector: Muffler
19	751-0616		Muffler
20	751-0623		Exhaust Pipe - L.H.
21	751-0624		Exhaust Pipe - R.H.
22	783-0320		Muffler Bracket New Part
23	783-0357		Heat Shield New Part



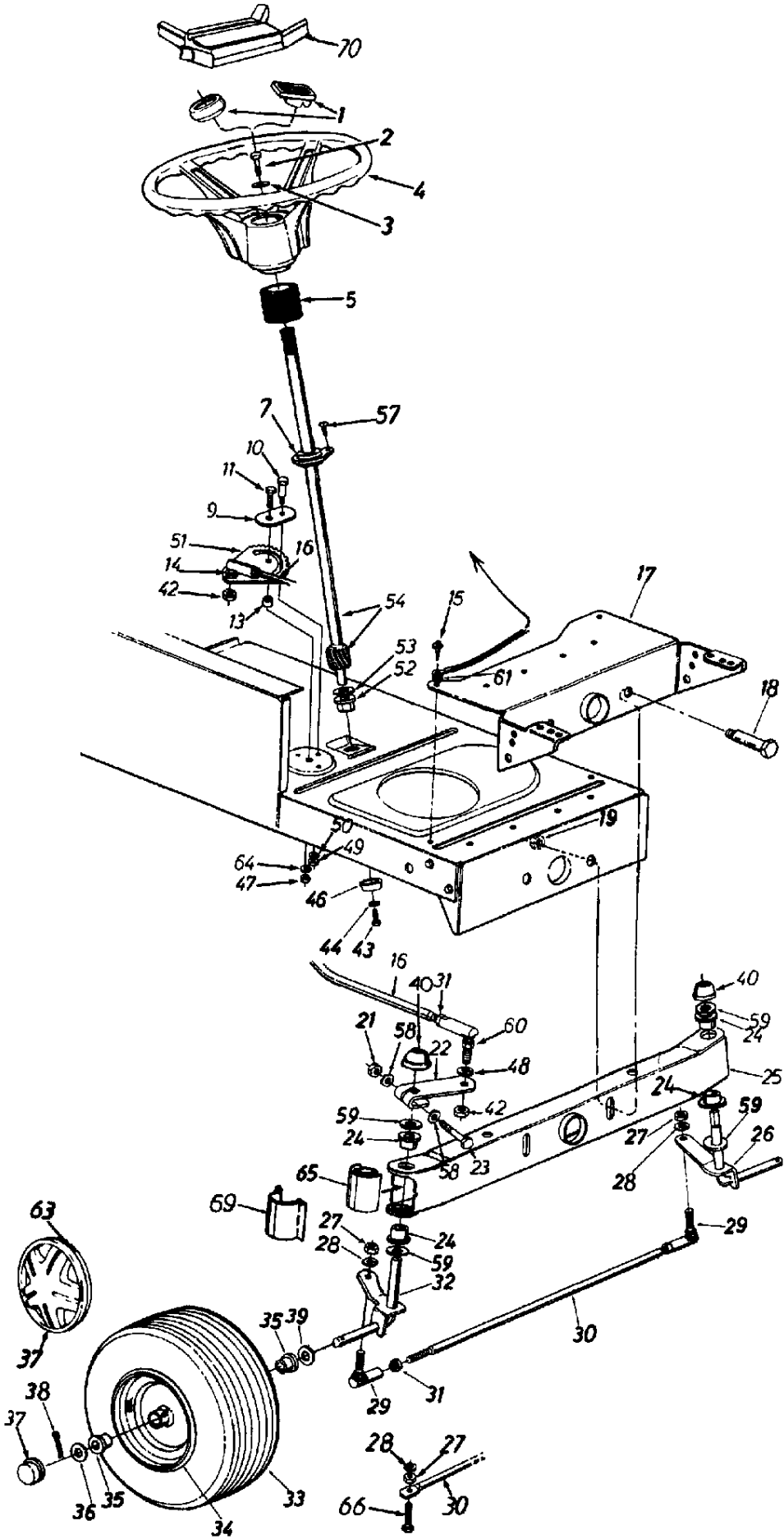


Ref #	Part Number	Qty	Description
2	710-1208		Hex Wash. Kd. Tap Scr. 5/16-18 x 3.25" Lg.
3	738-0155		Shld. Bolt .437" Dia. x .162" Lg.
4	738-0145		Shld. Bolt .50" Dia. x .84" Lg.
5	736-0141		Spr-Wash. .445" I.D. x .75
6	783-0039		Seat Pivot Bracket
7	751-0603		Fuel Cap
8	751-0553		Fuel Tank (12.5 H.P. & Smaller)
	751-0555		Fuel Tank (13 H.P. & Larger)
9	726-0209		Tie Strap
10	751-0535-15		Fuel Line
11	726-0205		Hose Clamp
13	712-0287		Hex Nut 1/4-20 Thd.
14	736-0329		L-Wash. 1/4" I.D.
16	732-0735		Compression Spring
21	738-0526		Running Board Rod
22	710-0227		Hex Wash. Hd. AS-Tap Scr. #8 x .50" Lg.
23	726-0139		Speed Nut #10Z
24	783-0041		Front Pivot Brkt.
25	710-0870		Hex Tap Scr. 3/8-16 x .62" Lg.
26	710-0726		Hex Wash. Hd. AB-Tap Scr. 5/16 x .75" Lg.
28	710-0134		Carriage Bolt 1/4-20 x .62"
29	17770B		Running Board (R.H. & L.H.) New Part
30	761-0168A		Blade Brake Ass'y.
32	731-0909		Rubber Foot Pad - L.H. Optional Parts
	731-0910		Rubber Foot Pad - R.H. Optional Parts
	723-0422		Abrasive Foot Pad Optional Parts
34	783-0310		Lower Frame New Part
35	736-0169		L-Wash. 3/8" I.D.
36	726-0278		Insulator Boss Plate
37	736-0264		Ft-Wash. .344" I.D. x .625" O.D.
38	710-0118		Hex Bolt 5/16-18 x .75" Lg."
39	783-0042A		Upper Frame - R.H. New Part
41	712-0798		Hex Nut 3/8-16 Thd.
42	732-0581B		Extension Spring 5.31" Lg
43	731-1200		Battery Cover
44	725-1707		12-V Battery New Part
45	783-0043		Upper Frame - L H
46			Shift Cover Refer to "Lawn Tractor Style 0" Through "Lawn Tractor Style 9" illustration and parts lists.
47	725-1643		Reverse Safety Switch
48	726-0279		Insulator Plate
49	17951		Seat Pivot Brkt Support - L H
50	783-0355		Hitch Plate New Part
51	712-0267		Hex Nut 5/16-18 Thd.
52	736-0119		L-Wash. 5/16" I.D.
53	17239A		Seat Lift Brkt
54	757-0363		Seat 8-7/8" High
	757-0364		Seat 8-7/8" High (Yellow)
	757-0360		Seat 10-5/8" High
	757-0365		Seat 10-5/8" High (Yellow)
	757-0350		Seat 14-1/4" High
	757-0372		Seat 14-1/4" High (Yellow)
55	17950		Seat Pivot Brkt Support - R H

Ref #	Part Number	Qty	Description
56	738-0296		Shld. Bolt 437" Dia. x 268"
57	725-1303		Spring Switch (Seat - Outer)
59	710-0650		Hex Wash TT-Tap Scr 5/16-18 x 7/8" Lg.
62	726-0320		Insulator Nut Plate
63	725-1439		Safety Switch (Seat - Inner)
65	783-0345		Battery Tray New Part
66	710-0351		Truss Mach. B-Tap Scr. #10 x 5" Lg.
67	748-0347		Spring Spacer
68	710-0323		Truss Mach Scr 5/16-18 x .75"
69	710-0118		Hex Bolt 5/16-18 x 75" Lg.
71	723-3064		Battery Retainer Strap New Part
72	712-3010		Hex Nut 5/16-18 Thd.
73	712-0265		Hex Sems Nut 5/16-18 Thd.
74	712-0271		Hex Sems Nut 1/4-20 Thd

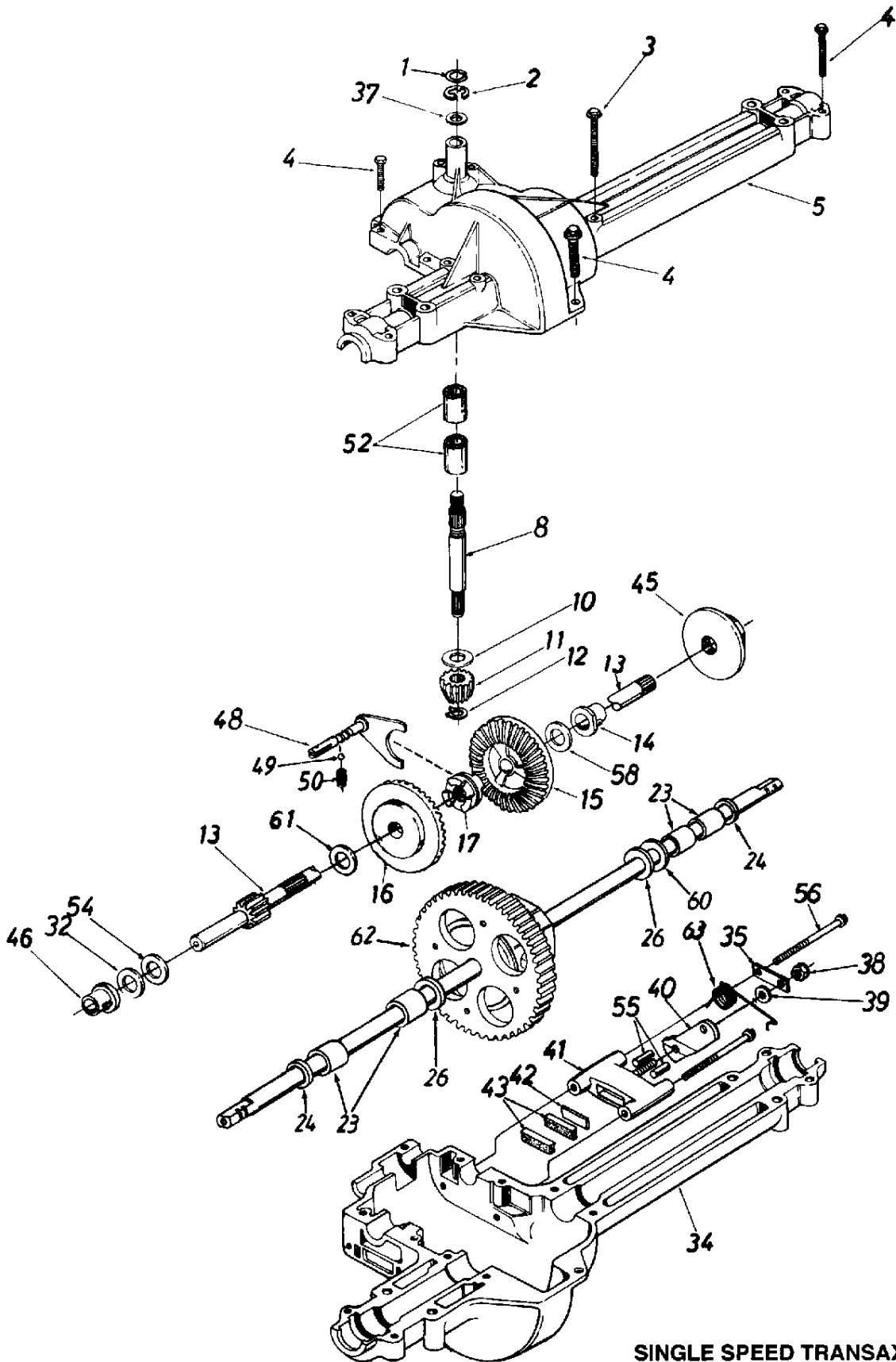


Ref #	Part Number	Qty	Description
1	710-0924		Truss Mach. Scr. 1/4-20 x .75" Lg.
2	17468		7-Speed Selector Plate
3	1580675H302 (1996)		Shift Knob
3	726-0218		Speed Control Rod
4	16192A		Speed Selector Lever Ass'y.
5	736-0192		Flat Washer .53" I.D. x .93"
6	711-0198		Ferrule 3/8-24 x .37" Dia.
7	738-0155		Shoulder Bolt
8	747-0503A		Speed Control Link
9	714-0111		Cotter Pin 3/32" Dia. x 1.0"
10	736-0226		FI-Wash. .469" I.D. x .88"
11	736-0119		L-Wash. 5/16" I.D.
12	712-3010		Hex Nut 5/16-18 Thd. (Gr. 5)
14	732-0303		Spring .38" O.D. x 3.18" Lg.
17	736-0300		FI-Wash. .385" I.D. x 7/8"
19	736-0329		L-Wash. 1/4" I.D.
20	712-3006		Hex Nut 1/4-20 Thd. (Gr. 5)



Ref #	Part Number	Qty	Description
1	731-0220		Steering Wheel Cap
	731-1459		Steering Wheel Cap (Sq.- MTD)
	1360875H302 (1996)		Steering Wheel Cap (Square - No Logo)
	731-1460		Steering Wheel Cap (Square - No Logo)
2	710-0643		Hex Bolt 5/16-18 x 1" Lg.
3	736-0242		Belleville Wash. .345" I.D.
4	731-1693		Steering Wheel (3 Spoke) Uses Round Steering Wheel Cap.; New Part
	731-1687		Steering Wheel (3 Spoke) Uses Square Steering Wheel Cap.; New Part
	631-0027		Steering Wheel (4 Spoke)
5	731-0559		Steering Bellow - 4.5" (Style 8)
	731-0954		Steering Bellow - 9" (Style 0, 1, 3, 4, 5, 6, 9)
	731-1542		Steering Bellow - 3.25" (Style 7)
7	741-0587		Flange Bearing .628" I.D. x 1.36 O.D. (Style 8)
9	17198A		Retainer Plate
10	738-0141		Shoulder Bolt .437" Dia. x .35 Lg. 5/16-18 Thd.
11	710-0152		Hex Bolt 3/8-24 x 1.0" Lg. (Gr. 5)
13	750-0535		Spacer .380" I.D. x .625" O.D. x .227
14	736-0217		L-Wash. 3/8" I.D. (H.D.)
15	710-0726		Hex Wash. Hd. Self-Tap Scr.
16	711-1068		Steering Drag Link New Part
17	783-0041A		Front Pivot Brkt. New Part
18	738-0527		Shoulder Bolt .498" Dia. x 2.04 Lg. 3/8-16 Thd.
19	712-0431		Flanged L- Nut 3/8-16 Thd.
21	712-0411		Hex L-Nut 5/16-24 Thd.
22	16481A		Steering Arm Front Axle
23	710-0772		Hex Bolt 5/16-24 x 2.00" Lg. (Gr.5)
24	741-0659		Hex Flg. Brg. .632 I.D. New Part
25	683-0128		Pivot Bar Ass'y. New Part
26			Front Axle Ass'y. - L.H.
27	712-0241		Hex Nut 3/8-24 Thd.
28	736-0169		L-Wash. 3/8" I.D.
29	723-3018		Ball Joint 3/8-24 Thd.
30	747-0753		Tie Rod (Adjustable)
	747-0861		Tie Rod (Non-Adjustable)
31	712-0711		Hex Jam Nut 3/8-24 Thd.
32			Front Axle Ass'y - R.H.
33			Wheel Ass'y Comp.
34			Front Wheel Rim Only
35			Bearing
	634-0056		Wheel Ass'y Comp., 15" x 6" (Round Shoulder)
	734-0864		Tire Only, 15" x 6" (Round Shoulder)
	634-0024		Rim Only, 15" x 6" (Round Shoulder)
	741-0487A		Bearing, 15" x 6" (Round Shoulder)
	734-0255		Air Valve, 15" x 6" (Round Shoulder)
	737-0211		Grease Fitting, 15" x 6" (Round Shoulder) Optional
	737-0212		Grease Plug, 15" x 6" (Round Shoulder)
	683-0127		Front Axle Ass'y - L.H. 15" x 6" (Round Shoulder)
	683-0126		Front Axle Ass'y - R.H. 15" x 6" (Round Shoulder)
	683-0124		Front Axle Ass'y - L.H. 15" x 6" (Round Shoulder) (46" Deck)

Ref #	Part Number	Qty	Description
	683-0125		Front Axle Ass'y - R.H. 15" x 6" (Round Shoulder) (46" Deck)
	136O675H302 (1996)		Page 23 of 26
	634-0005		Steering Assembly/Axle, Front/Wheel, Front
	734-1731		Tire Only, 15" x 6" (Round Shoulder)
	634-0024		Rim Only, 15" x 6" (Round Shoulder)
	741-0487A		Bearing, 15" x 6" (Round Shoulder)
	734-0255		Air Valve, 15" x 6" (Round Shoulder)
	737-0211		Grease Fitting, 15" x 6" (Round Shoulder)
	737-0212		Grease Plug, 15" x 6" (Round Shoulder)
	683-0127		Front Axle Ass'y - L.H. 15" x 6" (Round Shoulder)
	683-0126		Front Axle Ass'y - R.H. 15" x 6" (Round Shoulder)
	683-0124		Front Axle Ass'y - L.H. 15" x 6" (Round Shoulder) (46" Deck)
	683-0125		Front Axle Ass'y - R.H. 15" x 6" (Round Shoulder) (46" Deck)
36	736-0285		FI-Wash .635 I.D. x 1.59" O.D.
37	731-0484A		Front Wheel Hub Cap
	731-1787		Spoked Hub Cap (Yellow) Optional
	734-1613		Spoked Hub Cap (Gray) Optional
	734-1612		Spoked Hub Cap (Beige) Optional
38	714-0470		Cotter Pin 1/8" Dia. x 1.25"
39	736-0531		FI-Wash .640" I.D. x 1 24" O.D.
40	726-0214		Push Cap 5/8" Dia. Rod
42	712-0262		Hex Jam Nut 3/8-24 Thd.
43	710-1309		Hex Patch Bolt 5/16-18 x .62"
44	736-0119		L-Wash. 5/16" I.D.
45	736-0343		FI-Wash. .33" I.D. x 1.25" O.D.
46	748-0389		Cap
47	712-0214		Hex Cent L-Nut 3/8-24 Thd.
48	736-0169		L-Wash. 3/8" I.D.
49	712-0158		Hex Cent L-Nut 5/16-18 Thd.
50	736-0119		L-Wash. 5/16" I.D.
51	717-0622A		Steering Gear Segment
52	741-0656		Hex Flg. Brg. .634 I.D. New Part
53	736-0187		FI-Wash. (Hardened)
54	738-0919		Steering Shaft New Part
57	710-0837		Oval Hd. Cr - Sunk Scr. #10 x 5/8" Lg. (Style 8)
58	736-0271		Wave-Wash .32" I.D. x .62" O.D.
59	736-0187		FI-Wash. (Hardened)
60	723-3018		Drag Link Ball Joint 3/8-24 Thd.
61	736-0607		Ext. L-Wash. 5/16" I.D.
63	727-0425A		Spring Clip (Used w/Spoked Hub Cap)
64	736-0356		Bell-Wash. .39" I.D. x 1.38" O.D.
65	731-1291A		Pivot Bar End Cap (Optional); New Part
66	710-0459		Hex Bolt 3/8-24 x 1.5" Lg. (Gr 5)
69	731-1699		Axle Cap
70	731-0955		Steering Wheel Insert (Optional); New Part



**SINGLE SPEED TRANSAXLE—R.H.  
 MODEL 618-0163**



Ref #	Part Number	Qty	Description
	918-0163B	1	Transaxle Complete
1	732-0614		Wire Ring
2	716-0231		"E" - Ring
3	710-1026		Hex Wash. TT-Tap Scr. 1/4-20 x 1.75" Lg.
4	710-0809		Hex Tap Scr. 1/4-20 x 1.25" Lg.
5	719-0314		Upper Housing
8	711-0861		Input Shaft
10	736-0335		Thrust Washer 5/8" I.D. x 1.25" O.D.
11	717-0633		Pinion Input 14T
12	716-0171		Retaining Ring
13	711-1003		Drive Shaft - R.H. Brake
14	741-0336		Flange Brg. 5/8" I.D. x 3/4" Lg.
15	717-1362		Bevel Gear 42T Small I.D.
16	717-1363		Bevel Gear 42T Large I.D.
17	718-0228		Clutch Collar
21	710-0862A		Pan Head Scr. 1/4-20 x .50" Lg. w/Patch
23	741-0340		Sleeve Bearing 3/4" I.D. x 1.0" Lg.
24	721-0338		Oil Seal 3/4" I.D.
26	736-0445		FI-Wash. .760" I.D. x 1.5" O.D.
32			Washer
	736-0495		Thrust Wash. 5/8" I.D. x 1" O.D. x .025" Thk.
	736-0336		FI-Wash. 5/8" I.D. x 1" O.D. x .030" Thk.
	736-0494		Thrust Wash. 5/8" I.D. x 1" O.D. x .035" Thk.
	736-0337		FI-Wash. 5/8" I.D. x 1" O.D. x .040" Thk.
34	719-0313		Lower Housing
35	718-0150		Anti-Rotation Brkt.
37			Washer (See Below)
	736-0349		FI-Wash. 5/8" I.D. x 1" O.D. x .020" Thk.
	736-0336		FI-Wash. 5/8" I.D. x 1" O.D. x .030" Thk.
	736-0337		FI-Wash. 5/8" I.D. x 1" O.D. x .040" Thk.
38	712-0273		Hex Nut 5/16-24 Thd.
39	736-0371		FI-Wash. 3/4" I.D. x .875" O.D.
40	717-0700		Actuating Arm
41	761-0198		Brake Yoke
42	717-0682		Puck Plate
43	717-0678		Brake Puck
45	761-0202		Brake Disc
46	741-0337		Flange Bearing 5/8" I.D. x 15/16" Lg
48	611-0011		Shift Fork Ass'y
49	741-0862		Ball Detent 250" Dia.
50	732-0863		Spring Detent
52	741-0335		Needle Brg 5/8" I.D. x 1/2" Lg.
54	736-0349		FI-Wash. 5/8" I.D. x 1" O.D. x .020 Thk
55	741-0343		Actuating Pin 5/16" Dia
56	710-1206		Hex Wash Hd Self-Tap Scr 1/4-20 Thd 1/4-20 Thd
58	736-0349		FI-Wash 5/8" I.D. x 1" O.D. x .020 Thk
	736-0495		Thrust Wash. 5/8" I.D. x 1" O.D. x .025" Thk.
60			Washer (See Below)
	736-0492		FI-Wash. .76" I.D. x 1.5" O.D. x .010" Thk.
	736-0493		FI-Wash. .76" I.D. x 1.5" O.D. x .020" Thk.
	736-0351		FI-Wash. .76" I.D. x 1.5" O.D. x .030" Thk.
	736-0445		FI-Wash. .76" I.D. x 1.5" O.D. x .060" Thk.
61	736-0519		Thrust Washer
62	618-0162		Differential Ass'y.

---

Ref #	Part Number	Qty	Description
63	732-0742		R.H. - Brake Spring
	737-0148		Grease - Shell (15 oz.)
	1380675H302 (1996)		
	Transaxle Assembly		

---