

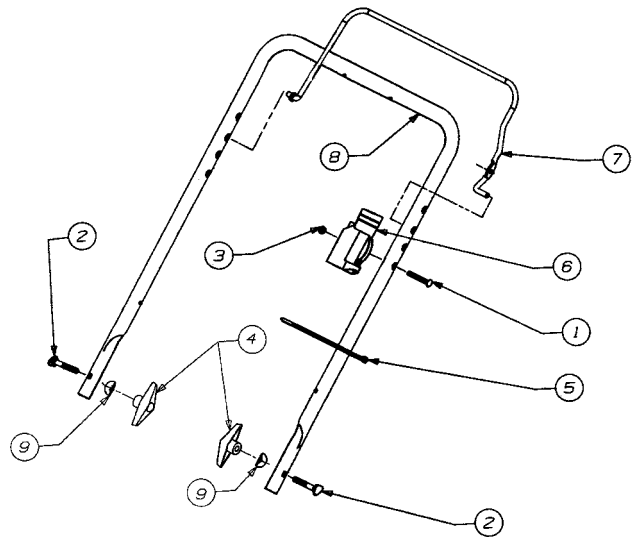
**Model Nos.**

**140**

**150**

**E150**

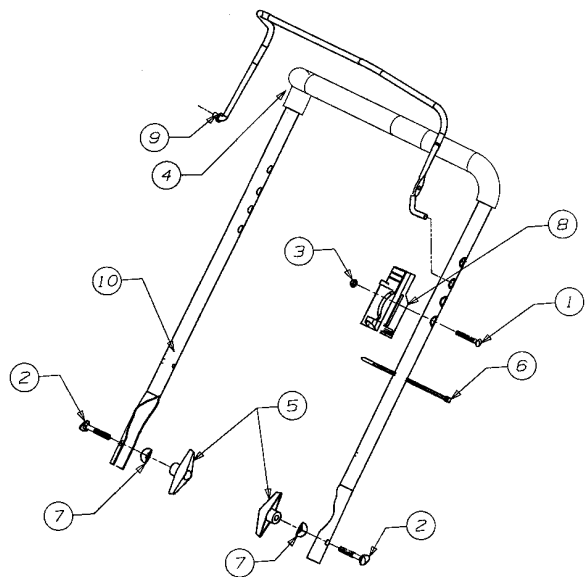
REF. NO.	PART NO.	DESCRIPTION	QTY.
1	710-1270	Screw—Oval C-Sink L	1
2	710-1174	Bolt Carriage	2
3	712-0324	Nut Insl. Lock	1
4	720-0276	Knob—Handle	2
5	725-0157	Tie Cable	1
6	746-0883	Body—Lever Control	1
7	747-0946	Handle Ass'y. Control	1
8	749-0705	Handle—Upper	1
9	736-0451	Washer Saddle	2



**Model No.**

**E152**

REF. NO.	PART NO.	DESCRIPTION	QTY.
1	710-1270	Screw—Oval C-Sink L	1
2	710-1174	Bolt—Carriage	2
3	712-0324	Nut Insul. Lock	1
4	720-0295	Grip Foam	1
5	720-0284	Knob Handle	2
6	725-0157	Tie Cable	1
7	736-0451	Washer Saddle	2
8	746-0883	Body—Lever Control	1
9	747-0956	Handle Ass'y. Control	1
10	749-0711A	Handle—Upper	1



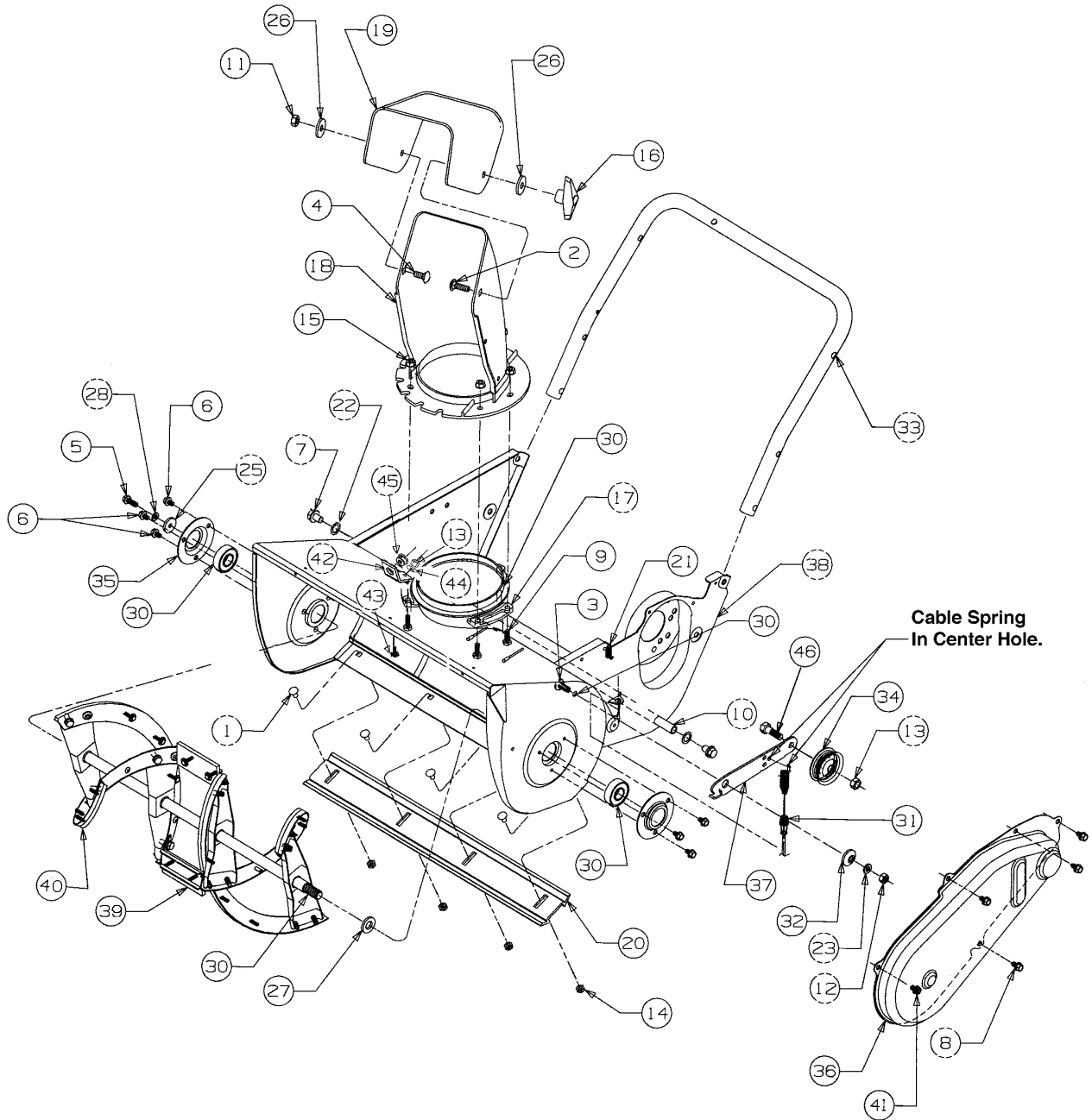
**Model Nos.**

**140**

**150**

**E150**

**E152**



**Model Nos.**

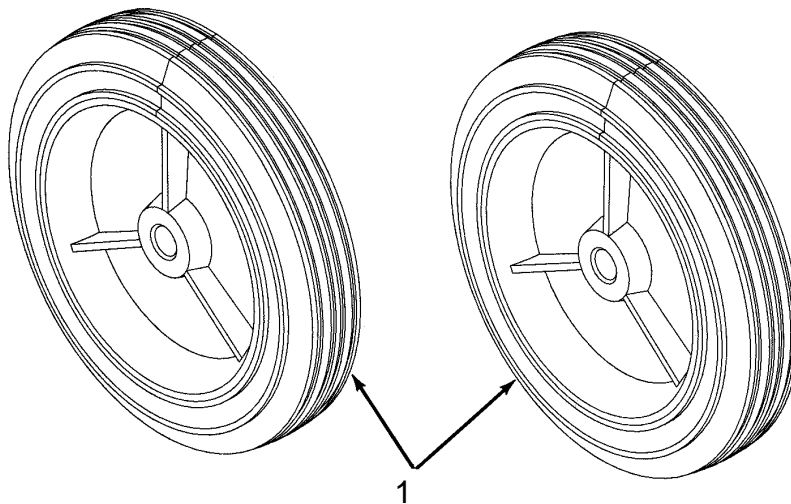
**140**

**150**

**E150**

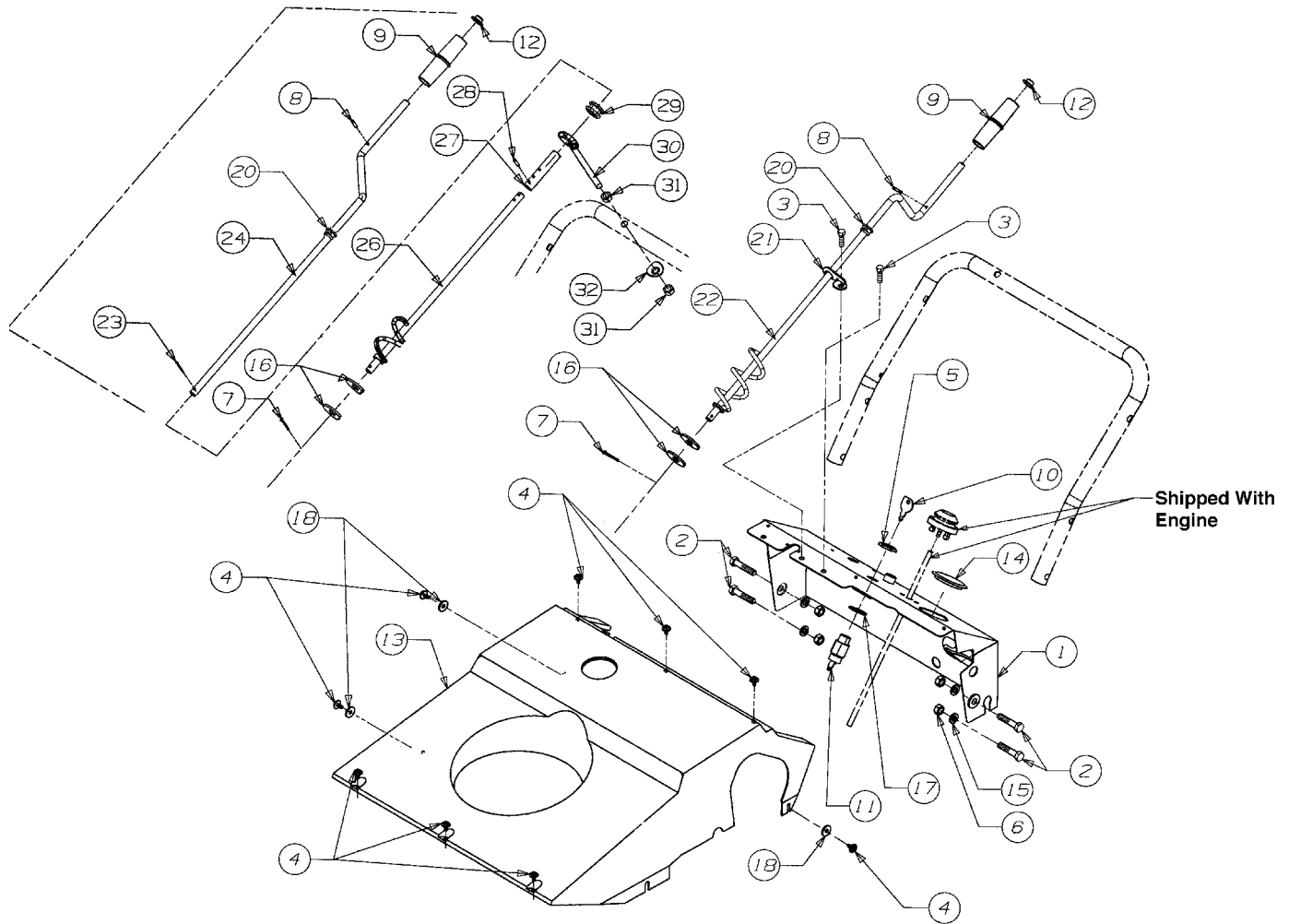
**E152**

REF. NO.	PART NO.	DESCRIPTION	QTY.	REF. NO.	PART NO.	DESCRIPTION	QTY.
1	710-0167	Bolt—Carriage	4	25	736-0176	Washer—Flat	1
2	710-0276	Bolt—Carriage	1	26	736-0159	Washer	2
3	710-0323	Screw—Pan Head	1	27	736-0326	Washer—Flat	1
4	710-0451	Bolt—Carriage	1	28	736-0329	Washer—Lock	1
5	710-0642	Screw—Hex Washer	1	30	741-0600	Ball Bearing	2
6	710-1005	Screw—Hex Washer	6	31	746-0910A	Cable—Clutch	1
7	710-0773	Screw—Hex Washer	2	32	748-0234	Spacer—Shoulder	1
8	710-0896	Screw—Hex Washer	4	33	749-0796	Handle—Lower	1
9	710-3015	Screw—Hex Cap	6	34	756-0313	Idler—Flat	1
10	711-0848A	Axle	1	35	784-5174	Cup—Bearing	2
11	712-0429	Nut—Hex Center Lock	1	36	784-5176	Cover—Belt	1
12	712-3010	Nut—Hex	3	37	784-5175B	Bracket—Idler/Brake	1
13	712-0116	Nut—Hex Lock	1	38	684-0114	Housing—Blower	1
15	712-3027	Nut—Hex Lock Flanged	10	39	784-5485	Auger Ass'y. Comp.	1
16	720-0284	Knob	1	40	753-0613	Auger Rubber Replacement	1
17	731-0851A	Keeper—Chute	3	41	710-0352	Screw—Hex Washer	1
18	731-0915B	Chute—Lower	1	42	784-5720	Bracket - Crank	1
19	731-0921	Chute—Upper	1	43	710-0451	Screw - Cap	2
20	731-1033	Shave Plate	1	44	736-0242	Washer - Bell	2
21	732-0357A	Spring—Extension	1	45	741-0475	Bushing	1
22	736-0108	Washer—Flat	2	46	710-0459	Screw - Cap	1
23	736-0119	Washer—Lock	1				



REF. NO.	PART NO.	DESCRIPTION	QTY.
1	734-1176	Wheel Ass'y.—White	2

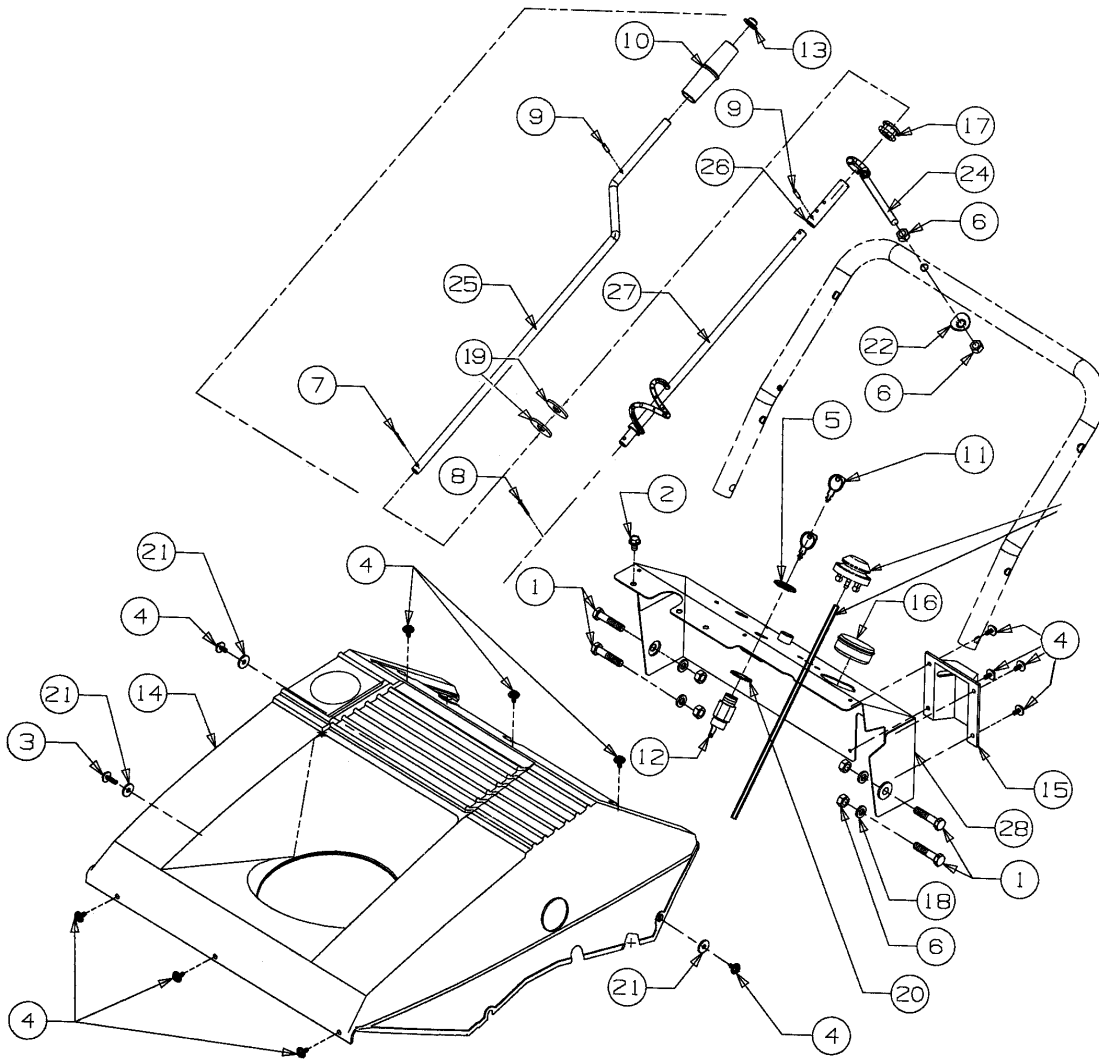
**Model Nos.  
140**



REF. NO.	PART NO	DESCRIPTION	QTY.	REF. NO.	PART NO	DESCRIPTION	QTY.
1	684-0056	Dash—21"	1	16	736-0185	Washer - Flat	2
2	710-0442	Screw—Hex	4	17	736-0225	Washer Internal Lock	1
3	710-0895	Screw—Hex Tap	2	18	736-0400	Washer Flat	3
4	710-1268	Screw—Hex Tap	9	20	741-0475	Bushing	1
5	712-0252	Nut Hex	1	21	784-5178A	Bracket Chute Crank	1
6	712-0267	Nut—Hex	4	22	784-5344	Crank Ass'y. Chute	1
7	714-0474	Pin—Cotter	1	23	714-0111	Cotter Pin †	1
8	715-0138	Pin Roll	1	24	747-0737	Crank - Chute - Upper †	1
9	720-0201A	Knob—Chute Crank	1	26	684-0126	Crank - Chute - Lower †	1
10	725-0201	Key—Ignition	2	27	750-0785	Spacer †	1
11	725-1425	Switch—Key	1	28	715-0138	Pin - Roll †	1
12	726-0100	Nut Push	1	29	735-0234	Grommet - Rubber †	1
13	731-0702	Shroud	1	30	747-0697	Eyebolt - Chute Crank †	1
14	731-1133A	Plug	1	31	712-3010	Nut - Hex †	2
15	736-0119	Washer Lock	4	32	736-0451	Washer - Saddle †	1

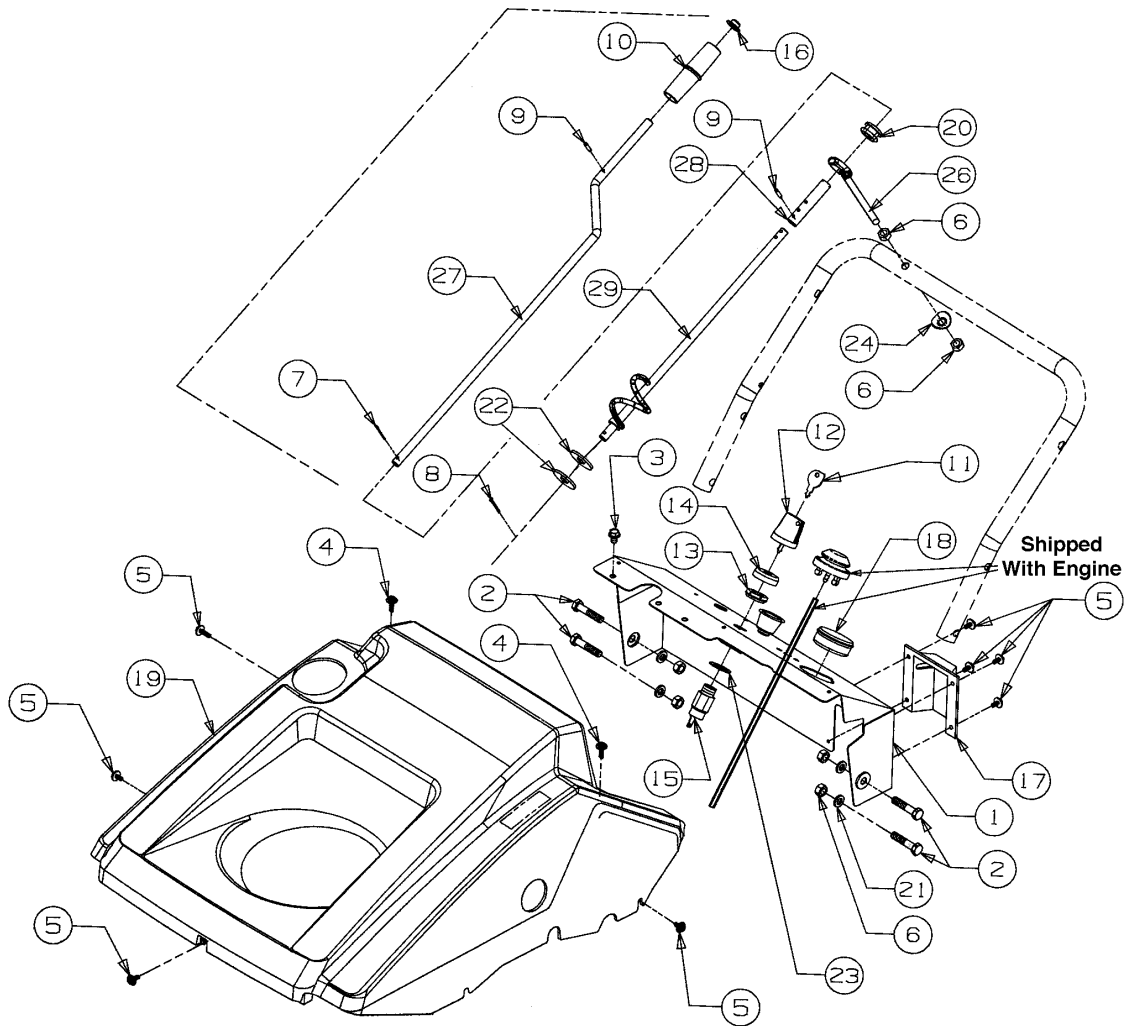
† Optional Model 140 Chute Crank Assembly

**Model Nos.**  
**150**  
**E150**



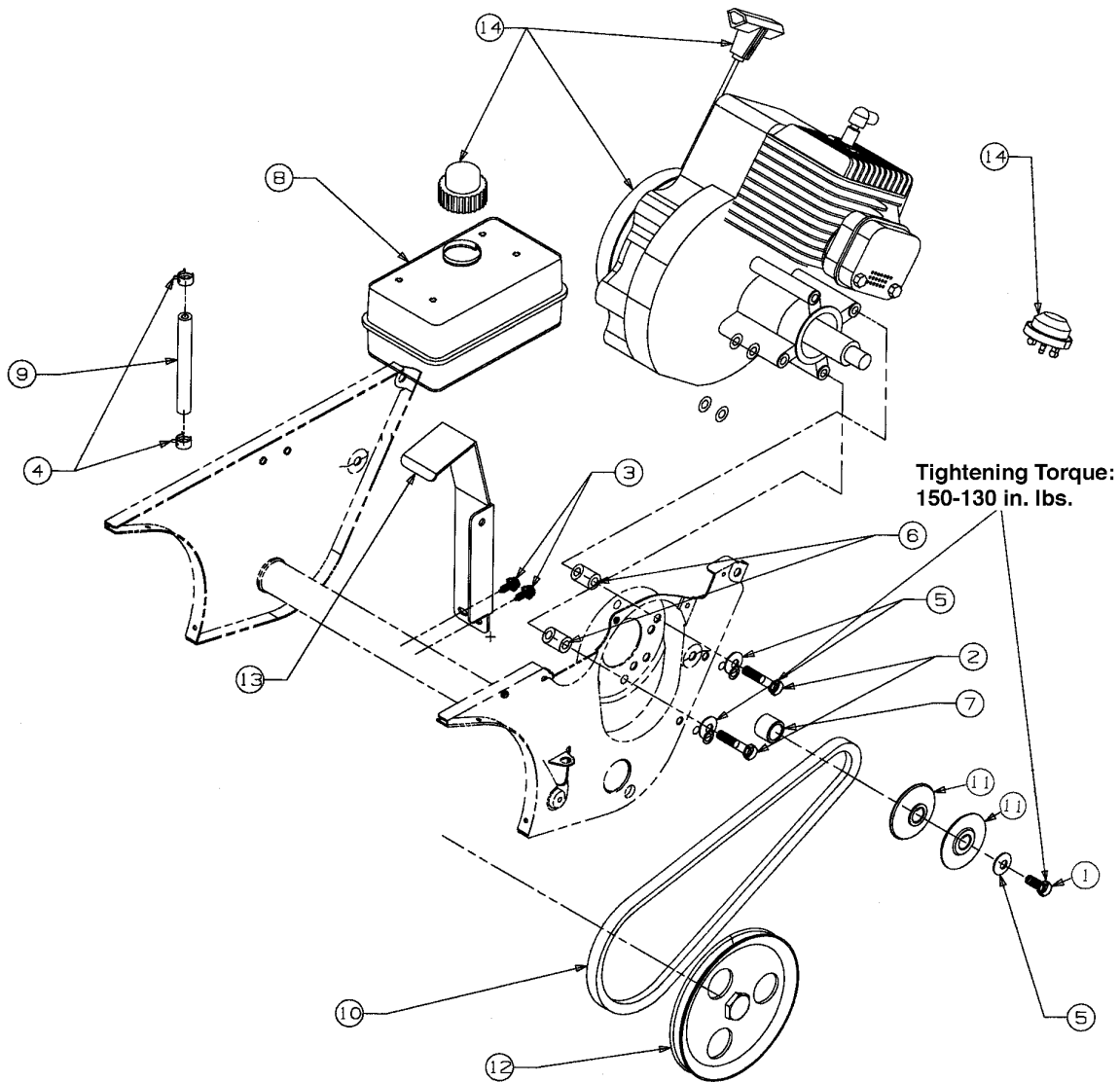
REF. NO.	PART NO	DESCRIPTION	QTY.	REF. NO.	PART NO	DESCRIPTION	QTY.
1	710-0442	Screw-Hex	4	15	731-1089	Cover-Choke	1
2	710-0653	Screw-Hex Washer	1	16	731-1133A	Plug-Insert	1
3	710-1003	Screw-Hex	1	17	735-0234	Grommet-Rubber	1
4	710-1268	Screw-Hex	12	18	736-0119	Washer-Lock	4
5	712-0252	Nut-Jam	1	20	736-0225	Washer-Lock-Internal	1
6	712-0267	Nut-Hex	6	21	736-0400	Washer-Flat	3
7	714-0111	Pin-Cotter	1	22	736-0451	Washer-Saddle	1
8	714-0474	Pin-Cotter	1	24	747-0697	Eyebolt-Chute Crank	1
9	715-0138	Pin Roll	2	25	747-0737	Crank-Chute	1
10	720-0201A	Knob	1	26	750-0785	Spacer	1
11	725-0201	Key-Ignition	2	27	784-5497	Crank-Chute 13.5" Lg.	1
12	725-1425	Switch	1		684-0126	Crank-Chute 15.25"Lg.	1
13	726-0100	Cap-Push	1	28	784-5572	Dash	1
14	731-1087	Shroud-Black	1				

**Model Nos.  
E152**



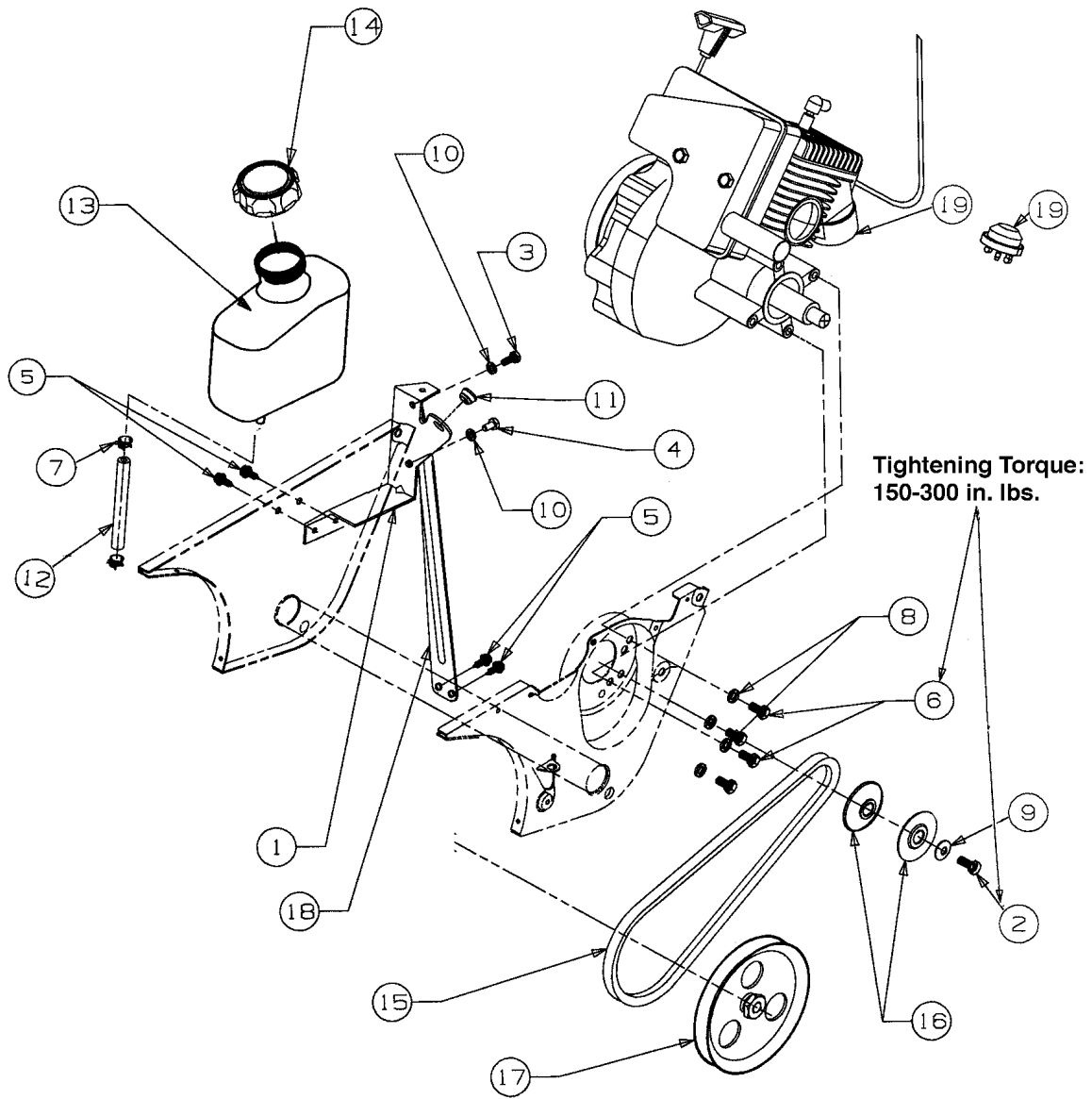
REF. NO.	PART NO	DESCRIPTION	QTY.	REF. NO.	PART NO	DESCRIPTION	QTY.
1	784-5572	Dash	1	15	725-1425	Switch—Key	1
2	710-0442	Screw—Hex Cap	4	16	726-0100	Cap—Push	1
3	710-0653	Screw—Hex Washer	1	17	731-1089	Cover—Choke	1
4	710-1003	Screw—Hex	2	18	731-1133	Plug—Insert	1
5	710-1268	Screw—Hex	8	19	731-1765	Shroud—Black	1
6	712-0267	Nut—Hex	6	20	735-0234	Grommet—Rubber	1
7	714-0111	Pin—Cotter	1	21	736-0119	Washer—Lock	4
8	714-0474	Pin—Cotter	1	23	736-0225	Washer—Lock Internal	1
9	715-0138	Pin—Roll	2	24	736-0451	Washer—Saddle	1
10	720-0201A	Knob	1	26	747-0697	Eyebolt—Chute Crank	1
11	725-0201	Key—Ignition	1	27	747-0737	Crank—Chute Upper	1
12	725-1341B	Key—Ignition with Logo	1	28	750-0785	Spacer	1
13	725-1346	Nut—Ignition Switch	1	29	684-0126	Crank—Chute Lower	1
14	725-1347	Cover—Ignition Switch	1				

**Model Nos.  
140**



REF. NO.	PART NO	DESCRIPTION	QTY.	REF. NO.	PART NO	DESCRIPTION	QTY.
1	710-0157	Screw—Hex Cap	1	9	751-0535-12	Hose—Fuel 12"	1
2	710-0442	Screw—Hex Cap	4	10	754-0367	V-Belt	1
3	710-0896	Screw—Washer	2	11	756-0416B	V-Pulley Half	2
4	726-0205	Clamp—Hose	2	12	756-0550	Pulley	1
5	736-0242	Washer—Bell	5	13	784-5177	Engine Support Bracket	1
6	750-0589	Spacer	4	14		Obtain from Engine Manufacturer	
7	750-0716	Spacer	1				
8	751-0352	Tank—Fuel	1	N/I	OEM-390-697	Electric Start Kit (Optional)	1

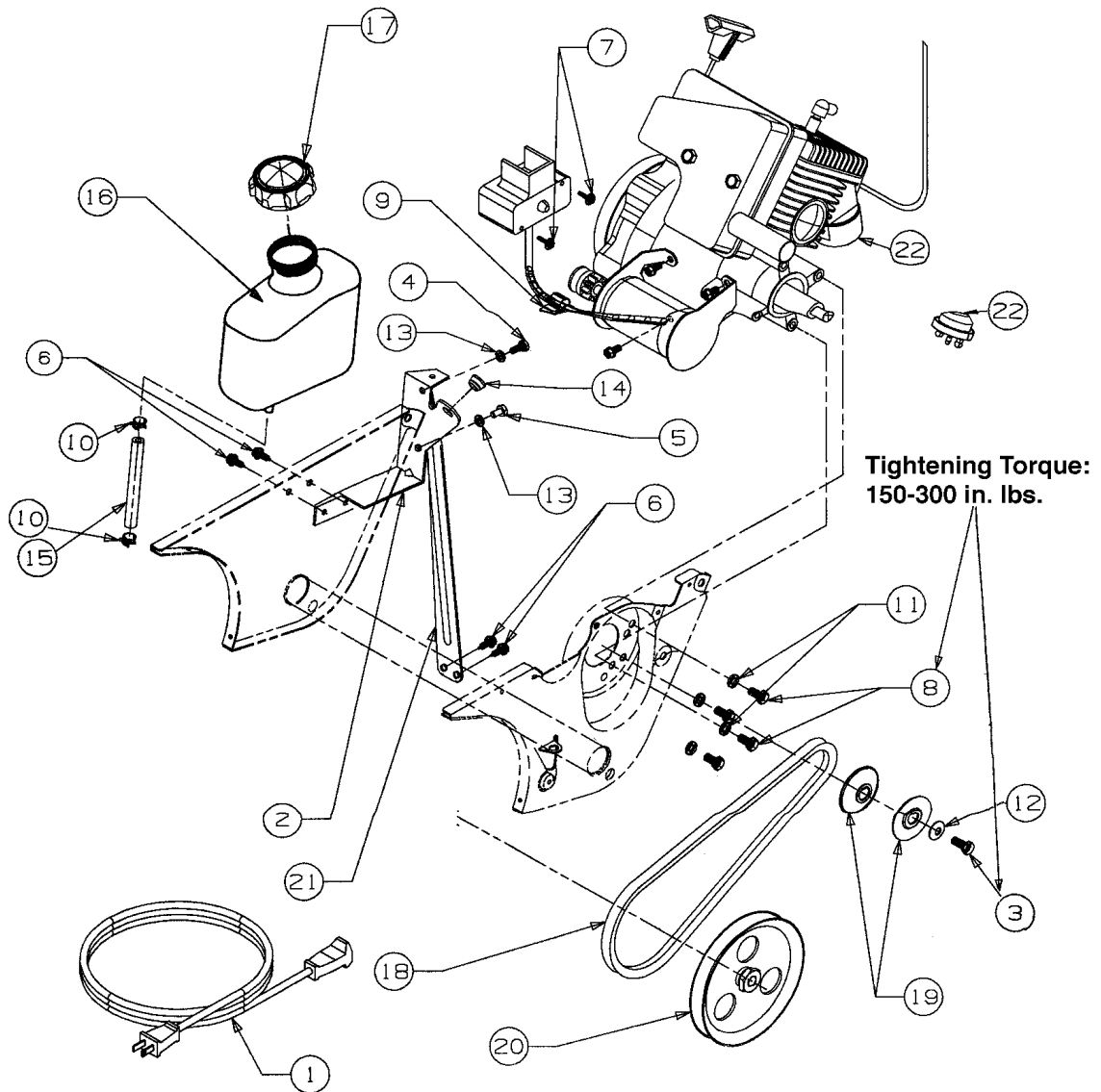
**Model Nos.  
150**



REF. NO.	PART NO.	DESCRIPTION	QTY.	REF. NO.	PART NO.	DESCRIPTION	QTY.
1	705-5139	Bracket - Support Gas Tank	1	12	751-0535-16	Hose - Fuel Line 16"	1
2	710-0157	Screw - Hex Cap	1	13	751-0540A	Tank - Fuel 2 Qt.	1
4	710-0289	Screw - Hex	2	14	751-0634	Cap - Fuel - Black Print	1
5	710-0896	Screw - Washer	2		751-0800	Cap - Fuel - Red Print	1
6	710-3025	Screw - Hex Cap	4	15	754-0101A	V-Belt	1
7	726-0205	Clamp - Hose	2	16	756-0416B	V-Pulley Half	2
8	736-0119	Washer - Lock	4	17	756-0475	Pulley	1
9	736-0242	Washer - Bell	1	19		Obtain from Engine Manufacturer	1
10	736-0329	Washer - Lock	2	N/I	OEM-390-996	Electric Start Kit (Optional)	1
11	741-0475	Bushing - Plastic	1				



**Model Nos.**  
**E150**  
**E152**



REF. NO.	PART NO	DESCRIPTION	QTY.	REF. NO.	PART NO	DESCRIPTION	QTY.
1	629-0236	Cord - Extension 110V3M 2 Prong	1	12	736-0242	Washer - Bell	1
2	705-5139	Bracket - Support Fuel Tank	1	13	736-0329	Washer - Lock	2
3	710-0157	Screw - Hex Cap	1	14	741-0475	Bushing - Plastic	1
5	710-0289	Screw - Hex	2	15	751-0535-16	Hose - Fuel Line 16"	1
6	710-0896	Screw - Washer	2	16	751-0540A	Tank - Fuel 2 Qt.	1
7	710-1003	Screw - Hex	2	17	751-0634	Cap - Fuel	1
8	710-3025	Screw - Hex Cap	4		751-0800	Cap - Fuel - Black Letters	1
9	726-0152	Clamp - Mounting	1	18	754-0101A	V-Belt	1
10	726-0205	Clamp - Hose	2	19	756-0416B	V-Pulley Half	2
11	736-0119	Washer - Lock	4	20	756-0475	Pulley	1
				22		Obtain from Engine Manufacturer	1