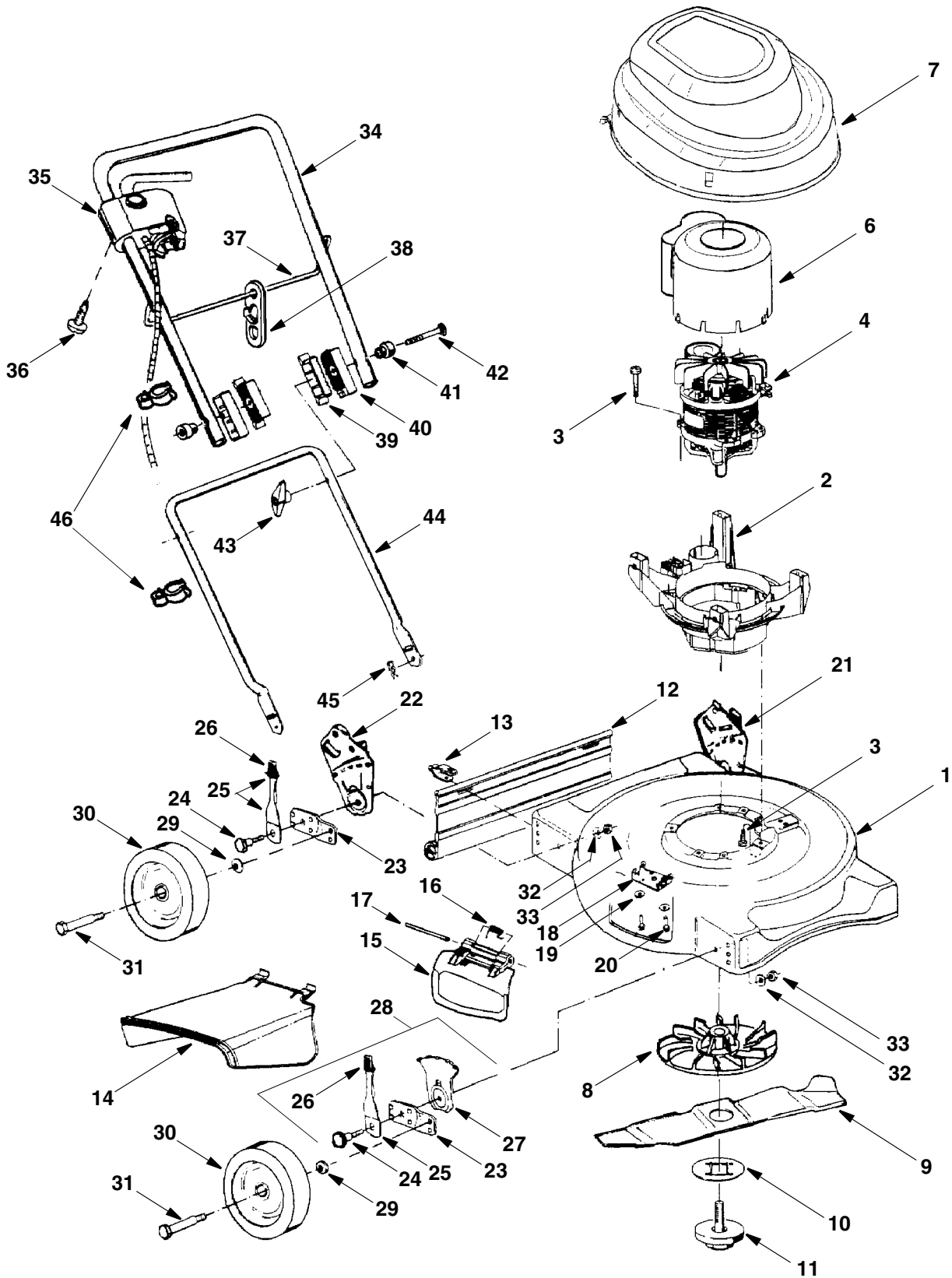


SECTION 11: PARTS LIST



| REF. NO. | PART NO. | DESCRIPTION |
|-----------------|-----------------|--|
| 1 | 682-0051A | Mower Housing, 18" |
| 2 | 731-2399 | Motor Support |
| 3 | 710-1756 | Screw, M7 x 25 |
| 4 | 724-0309 | Electric Motor, 115V, 1500W |
| 6 | 731-2400 | Air Guide Cover |
| 7 | 731-2401-0637 | Hood |
| 8 | 631-0132 | Blade Hub Assembly |
| 9 | 742-0827 | Mulching Blade |
| 10 | 782-7050 | Locking Plate |
| 11 | 624-0075 | Screw, Blade |
| 12 | 731-1028 | Trailing Shield |
| 13 | 17098 | Hinge Clip |
| 14 | 731-1409 | Side Discharge Deflector |
| 15 | 731-1501A | Mulch Plug |
| 16 | 732-0731 | Torsion Spring |
| 17 | 747-0710 | Hinge Pin |
| 18 | 782-7006 | Chute Hinge |
| 19 | 736-0270 | Beleville Washer |
| 20 | 710-0599 | Screw |
| 21 | 682-3001A | Handle Bracket Assy. LH |
| 22 | 682-3000A | Handle Bracket Assy. RH |
| 23 | 15262B | Pivot Bar |
| 24 | 738-0507B | Shoulder Bolt |
| 25 | 14832 | Lever and Knob Assy. (Incl #26) |
| 26 | 720-0190 | Knob, Height Adjustment |
| 27 | 15261A | Adjusting Plate |
| 28 | 14578 | Height Adjustment Assembly RH (Includes #23-27) |
| | 14579 | Height Adjustment Assembly LH (Includes #23-27) |
| 29 | 736-0105 | Spring Washer |
| 30 | 734-1781 | Wheel |
| 31 | 738-0102 | Axle Bolt |
| 32 | 736-0356 | Spring Washer |
| 33 | 712-0798 | Nut |
| 34 | 749-1310-0637 | Upper Handle |
| 35 | 725-1942 | Switch Plug Combination |
| 36 | 710-1757 | Screw |
| 37 | 747-1094 | Guide Rod |
| 38 | 726-0368 | Cord Restraint |
| 39 | 731-1267 | Height Adjuster, Lower Handle |
| 40 | 731-1268 | Height Adjuster, Upper Handle |
| 41 | 731-1388 | Insulating Washer |
| 42 | 710-0450 | Carriage Bolt |
| 43 | 720-0241 | Wing Nut |
| 44 | 749-0885 | Lower Handle |
| 45 | 714-0104 | Internal Cotter Pin |
| 46 | 731-2422 | Cable Guide |