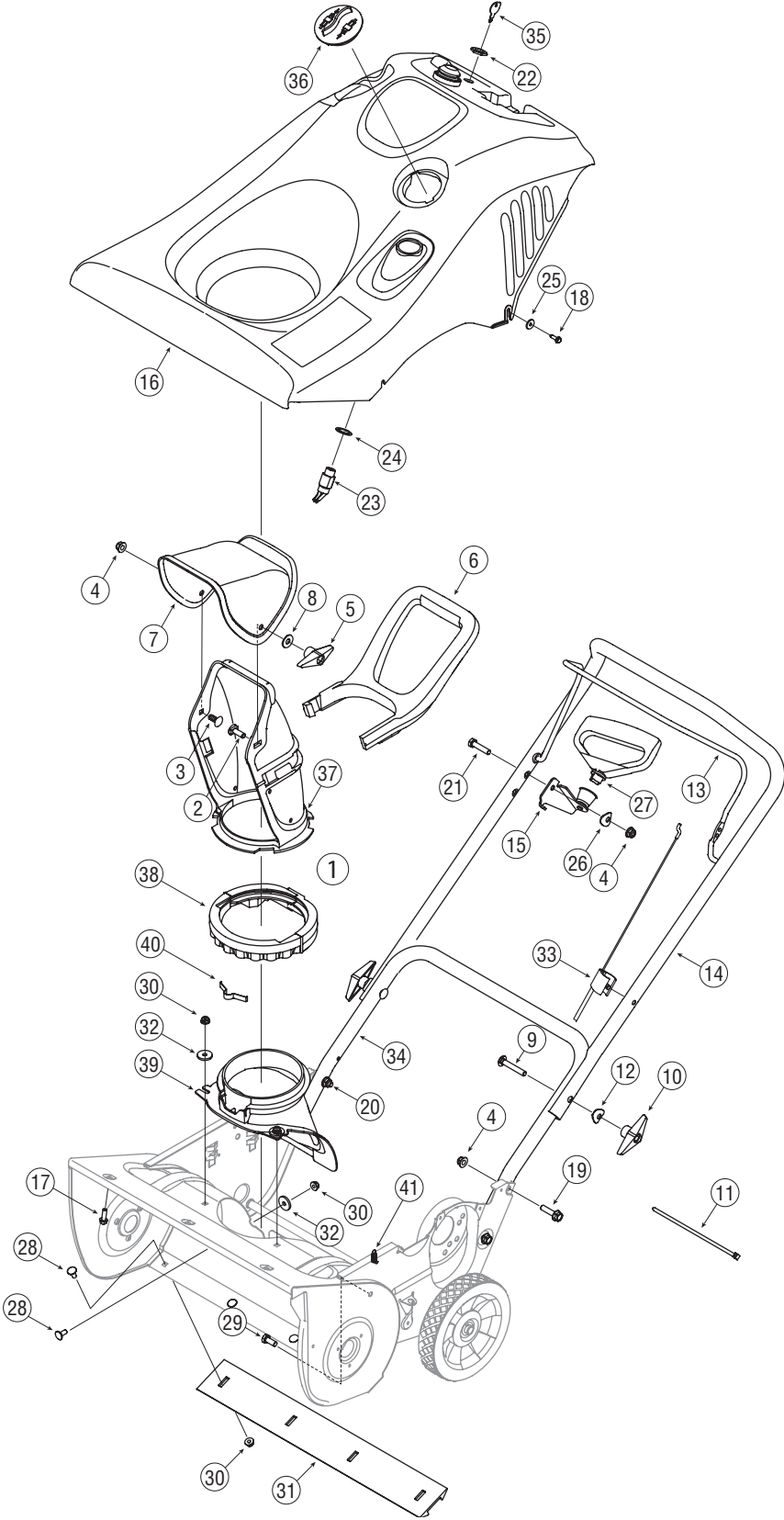
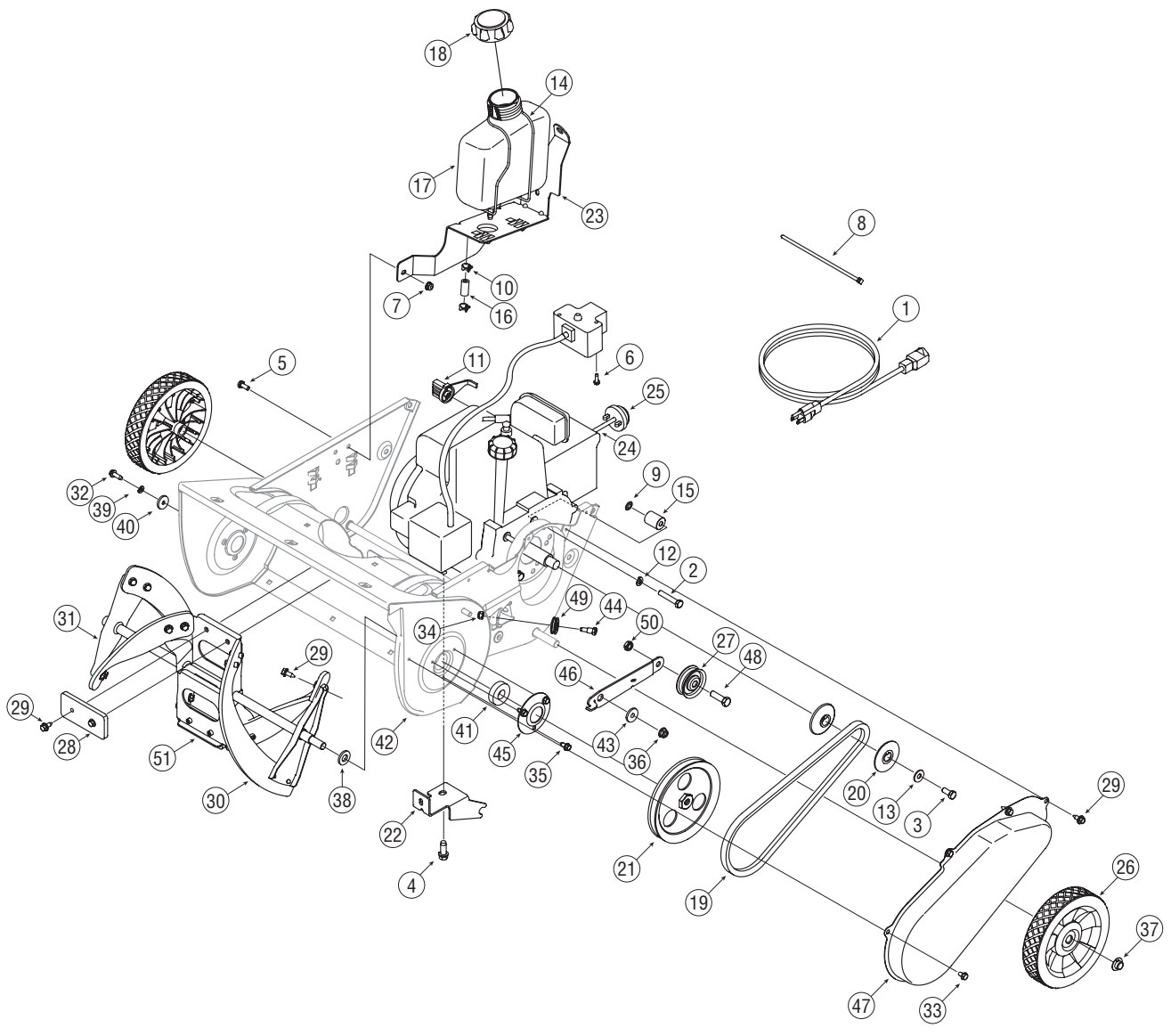


SECTION 9: PARTS LIST/PARTS LISTS/LISTE DE PIÈCES DETACHÉES



REF NO. N° DE RÉF	PART NO. N° DE PIÈCE	DESCRIPTION	DESCRIPTION
1	629-0071	Extension Cord 10 Ft.	Corde à ralonge de 10 pi de lg.
2	710-0409	Hex Bolt 5/16-24 x 1.75	Boulon hex. 5/16-24 x 1,75
3	710-0627	Hex L-Bolt 5/16-24 x .75 Gr. 5	Boulon hex 5/16-24 x 0,75 Qual. 5
4	710-0654A	Hex Wash HD Tap Scr 3/8-16 x .88	Vis autotaraudee 3/8-16 x 0,88
5	710-0751	Hex Bolt 1/4-20 x .62 Gr. 5	Boulon hexagonale 1/4-20 x 0,62 Qual. 5
6	710-1003	Hex Wash B-Tapp Scr #10 x .62" Lg.	Vis taraudée n°. 10 x 0,62 po de lg.
7	712-04064	Hex L-Flanged Nut 1/4-20 Gr. F Nylon	Contre-écrou à embase 1/4-20 Qual. F nylon
8	726-0154	Push Mount Tie	Tige de poussoir
9	726-0201	Push Speed Nut	Écrou rapide d'enfoncer
10	726-0205	Hose Clamp	Collier
11	731-2825	Choke Knob	Manette de volet de départ
12	736-0119	L-Wash 5/16 ID	Rondelle frein 5/16 DI
13	736-0159	Flat Washer .349 ID x .879 OD x .063	Rondelle plate 0,349 DI x 0,879 DE x 0,063
14	747-04236	Gas Tank Wire Support	Fil de support - réservoir à carburant
15	750-04297	Spacer .875 x .320 x 1.10	Entretoise 0,875 x 0,320 x 1,10
16	751-0535	Fuel Line	Ligne d'essence
17	751-10023	Fuel Tank 2 Quart	Réservoir de carburant de 2 quarts
18	751-10049	Cap-Fuel	Capuchon d'essence
19	754-0101A	V-Belt 1/2 x 35.0" Lg.	Courroie trapezoïdale 1/2 x 35,0 po de lg
20	756-0416B	Pulley Half .625 ID x 2.25 OD	Moitié poulie 0,625 DI x 2,25 DE
21	756-0475	1/2" V-Pulley 1/2-20 LH x 6,0" OD	Poulie de 1/2 po, 1/2-20 CG x 6,0" DE
22	790-00216	Engine Bracket	Support du moteur
23	790-00134	Gas Tank Support Bracket	Support de réservoir de carburant
24	7511152847	Primer Hose Line	Ligne d'amorçeur
25	7512B1476	Primer	Amorçeur
26	734-04062	Wheel-Star, 7.5 x 1.5 Yellow	Roue-étoile, 7,50 x 1,50 jaune
27	756-0313	Flat Idler 2.0 X 1.0 w/flange	Tendeur de plate 2,0 x 1,0 avec collet
28	735-04033	Rubber Paddle	Pale en caoutchouc
29	710-0896	Hex B-Tap Scr 1/4-28 x .25" Lg	Vis taraudée à tête hexagonale 1/4-28 x 0,25
30	735-04032	Rubber Spiral-Crescent	Spirale en caoutchouc - croissant
31	684-04025A	Auger Ass'y 21" w/Solid Shaft	Ensemble de la tarière de 21 po avec arbre solide
32	710-0642	Thd Forming Scr. 1/4-20 x .75 Lg.	Vis taraudée 1/4-20 x 0,75 lg.
33	710-0653	Hex Wash HD Tapp Scr 1/4-20 x .375	Vis auto-taraudeuse hexagonale 1/4-20 x 0,375
34	712-0896	Hex Ins Jam L-Nut 1/4-28	Contre-écrou de blocage 1/4-28
35	710-1005	Hex Tap Scr. 1/4-20 x .50" LG.	Vis taraudée 1/4-20 x 0,50 po de lg.
36	712-04063	Flange Locknut 5/16-18 Gr. F, Nylon	Contre-écrou à embase 5/16-18 Qual. F, nylon
37	726-0299	Push Cap x 1/2" Rod	Écrou pour tige de 1/2 po
38	736-0326	Flat Washer .50 ID x 1.00 OD x .125	Rondelle plate 0,50 DI x 1,0 DE x 0,125
39	736-0329	L-Wash 1/4 ID	Rondelle frein 1/4 DI
40	736-0176	Flat Washer .25 ID x .93 OD x .125	Rondelle plate 0,25 DI x 0,93 DE x 0,125
41	741-0600	Ball Bearing 17 x 40 x 12	Roulement à billes 17 x 40 x 12
42	684-04167	Auger Assembly Housing	Logement de la tarière
43	748-0234	Shoulder Spacer .25 THK	Entretoise épaulée
44	738-0924	Hex Shld.Scr.1/4-28 x .375	Vis à épaulement 1/4-28 x 0,375
45	784-5174	Bearing Cup	Roulement à cuvette
46	784-5175C	Idler Bracket	Support du tendeur
47	790-00045	Belt Cover	Couvercle de courroie
48	710-0191	Hex Screw 3/8-24 x 1.25	Vis à tête hexagonale 3/8-24 x 1,25
49	756-0625	Cable Guide Roller	Guide du câble
50	712-0116	Hex Nut 3/8-24	Écrou hexagonal 3/8-24
51	684-04027A	Auger Assembly	Ensemble de la tarière



REF NO. N° DE RÉF	PART NO. N° DE PIÈCE	DESCRIPTION	DESCRIPTION
1	684-04127	Lower Chute Ass'y (Incl. #37-40)	Ensemble de la goulotte inf. comp. les nos. 37 ou 40)
2	710-04071	Carriage Screw 5/16-18 x 1.0	Boulon ordinaire 5/16-18 x 1,0
3	710-0451	Carriage Bolt 5/16-18 x .75	Boulon ordinaire 5/16-18 x 0,75
4	712-04063	Flange Locknut 5/16-18 Gr. F, Nylon	Contre-écrou à embase 5/16-18 Qual. F, nylon
5	720-0284	Handle Knob Assembly	Bouton
6	731-04388A	Chute Handle	Poignée - goulotte d'éjection
7	731-04985	Upper Chute	Goulotte d'éjection supérieur
8	736-0159	Flat Washer .349 ID x .879 OD x .063	Rondelle plate 0,349 DI x 0,879 DE x 0,063
9	710-0487	Carriage Bolt 5/16-18 x 2.0	Boulon ordinaire 5/16-18 x 2,0
10	720-0284	Handle Knob Assembly	Bouton
11	725-0157	Cable Tie	Attache-câble
12	736-0451	Saddle Wash. .320 ID x .937 OD	Rondelle selle 0,320 DI x 0,937 DE
13	747-04159	Bail-Gull Wing	Manette de commande de suspension
14	749-04106	Upper Handle-Gull Wing	Guidon supérieur
15	684-0178	Mitten Grip Bracket Ass'y	Support - poignée de démarreur
16	684-04031	Shroud Yellow, Elec. Start, w/o Crk	Capot jaune, démarreur elec., sans manivelle
17	710-0895	Hex Tapp Scr 1/4 x .75" Lg.	Vis taraudée à tête hex de 1/4 x 0,75 po de lg
18	710-1003	Hex Wash B-Tapp Scr #10 x .62" Lg.	Vis taraudée n°. 10 x 0,62 po de lg.
19	710-1090	Hex Scr. .312-18 x 1.250	Vis hexagonal 0,312-18 x 1,250
20	710-1882	Hex Scr. 5/16-18 x 1.50 Gr. 5	Vis hexagonal 5/16-18 x 1,50 Qual. 5
21	710-3083	Hex Scr. 5/16-18 x 1.375 Gr. 5	Vis hexagonal 5/16-18 x 1,375 Qual. 5
22	712-0252	Hex Nut 5/8-32 x .12 Special	Écrou à six pans 5/8-32 x 0,12 spéciale
23	725-2018	Key Switch-Electric Start	Contacteur d'allumage - démarreur électrique
24	736-0225	L-Washer Internal	Rondelle frein interne
25	736-0400	Flat Washer .218" ID x .62" OD	Rondelle plate 0,218" DI x 0,62" DE
26	736-0451	Saddle Wash. .320 ID x .937 OD	Rondelle selle 0,320 DI x 0,937 DE
27	7510009636	Recoil Handle, Mitten	Poignée du démarreur
28	710-0134	Carriage Bolt 1/4-20 x .62	Boulon ordinaire 1/4-20 x 0,62
29	710-3008	Hex Bolt 5/16-18 x .75" Lg. Gr. 5	Boulon hex. 5/16-18 x 0,75 po de lg. Qual. 5
30	712-04064	Hex L-Flanged Nut 1/4-20 Gr. F Nylon	Contre-écrou à embase 1/4-20 Qual. F nylon
31	731-1033	Shave Plate	Grattoir
32	736-0176	Flat Washer .25 ID x .93 OD x .125	Rondelle plate 0,25 DI x 0,93 DE x 0,125
33	746-04237	Control Cable	Câble de la commande
34	749-04114	Lower Handle	Guidon inférieur
35	725-0201	Ignition Key	Clavette
36	684-0190	Spark Plug Cover	Couvercle de bougie
37	731-04127	Lower Chute 5" Dia	Goulotte d'éjection inférieur dia. 5 po
38	731-04353	Ring-Lower Chute	Bague - goulotte d'éjection inférieur
39	731-04886	Chute Adapter 5" Dia	Adaptateur de la goulotte 5 po de dia.
40	732-04111	Chute Adjustment Spring	Ressort d'ajustement - goulotte d'éjection
41	732-0357A	Extension Spring .33 OD x 1.12 Lg.	Ressort d'extension 0,33 DE x 1,12 po de lg

31A-2952
4.27.05

TWO YEAR SUPREME WARRANTY:

For two years from date of retail purchase within Canada, MTD PRODUCTS LIMITED will, at its option, repair or replace, for the original purchaser, free of charge, any part or parts found to be defective in material or workmanship. This warranty covers units which have been operated and maintained in accordance with the owner's instructions furnished with the unit, and which have not been subject to misuse, abuse, commercial use, neglect, accident improper maintenance or alteration. Normal wear parts or components thereof are subject to special terms as noted below in the NO FAULT Ninety Day Consumer Warranty clause.

The engine, starter motor or component parts thereof carry separate warranties from their manufacturers. Please refer to the applicable manufacturer's warranty policy for these items.

NO FAULT Ninety Day Consumer Warranty on Normal Wear Parts: All normal wear part failures will be covered on this product for a period of 90 days regardless of cause. After 90 days but within the two year warranty period, normal wear part failures will be covered if caused by defects in material or workmanship of other component parts. Normal wear parts are defined as batteries, belts, blades, blade adaptors, grass bags, rider deck wheels, seats, tires and clutch parts (friction wheels).

Full Ninety Day Warranty on Battery: For ninety (90) days from the date of retail purchase, if any battery included with this unit proves defective in material or workmanship and our testing determines the battery will not hold a charge, MTD PRODUCTS LIMITED will replace the battery at no charge to the original purchaser.

Additional Limited Thirty Day Warranty on Battery: After ninety (90) days but within one hundred twenty (120) days from the date of purchase, MTD PRODUCTS LIMITED will replace the defective battery, for the original purchaser, for a cost of one -half ($\frac{1}{2}$) of the current retail price of the battery in effect at the date of return.

How to Obtain Service: Warranty service is available, with proof of purchase, through your local MTD Authorized Service Dealer. If you do not know the dealer in your area, please write to the Service Department of MTD PRODUCTS LIMITED, P.O. BOX 1386, KITCHENER, ONTARIO N2G 4J1. The return of a complete unit will not be accepted by the factory unless prior written permission has been extended by MTD PRODUCTS LIMITED.

Other Warranties: All other warranties, express or implied, including any implied warranty of merchantability is limited in its duration to that set forth in this express limited warranty. The provisions as set forth in this warranty provide the sole and exclusive remedy of MTD PRODUCTS LIMITED obligations arising from the sale of its products. MTD PRODUCTS LIMITED will not be liable for incidental or consequential loss or damage.

NOTES