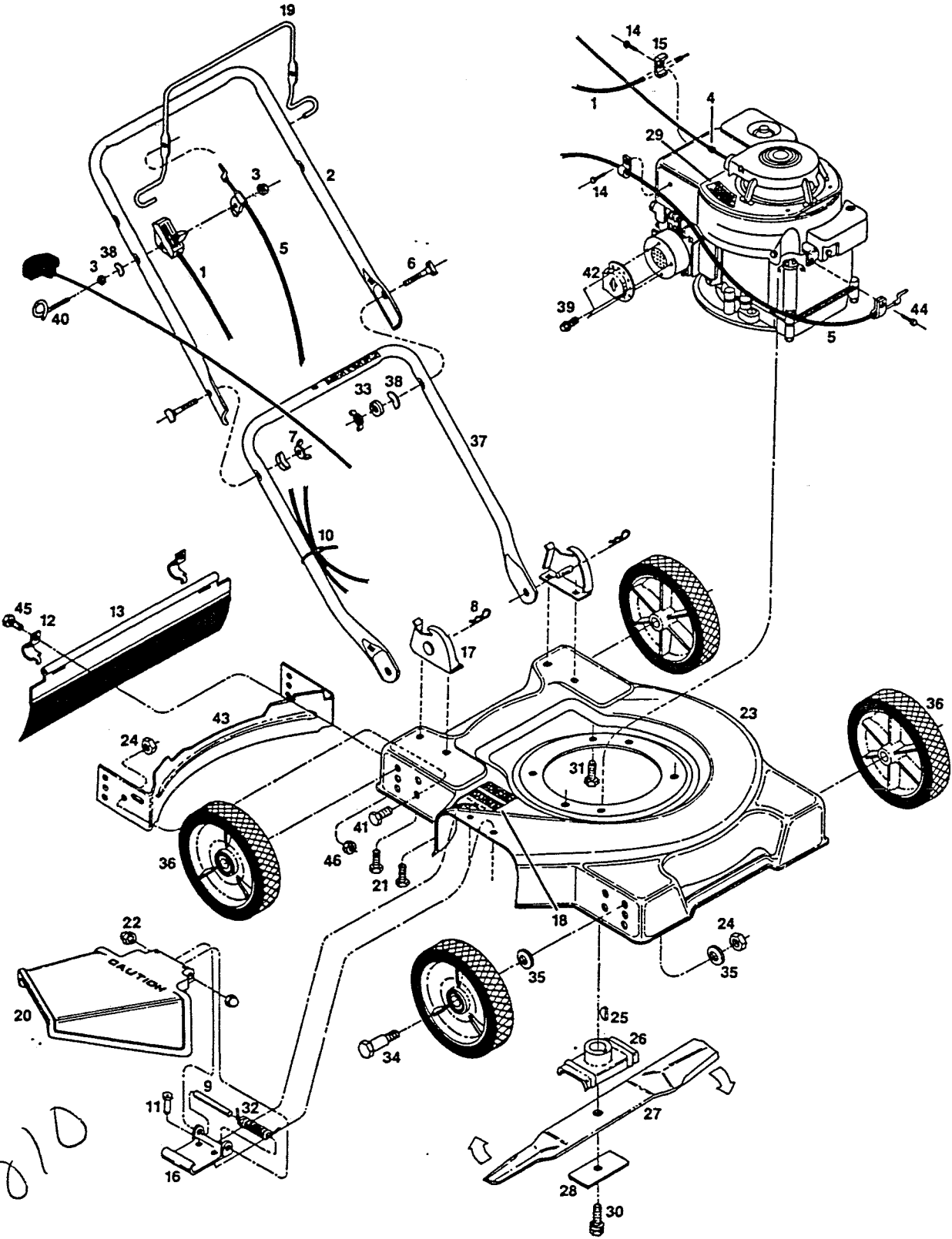


20" Rotary Mower
811-0283B
(Catalog No. 811-4340B)



35810

PARTS LIST

| Ref. No. | Part No. | Description | Ref. No. | Part No. | Description |
|----------|----------|---|----------|----------|---|
| 1 | 780536 | Control-Throttle | 24 | 451492 | Nut- $\frac{3}{8}$ -16 Locking |
| 2 | 071076 | Handle-Upper | 25 | 150276 | Key |
| 3 | 715037 | Nut $\frac{1}{4}$ -20 keps | 26 | 126466 | Adapter Assy.-Blade |
| 4 | 152074 | Rope Stop | 27 | 030296 | Blade |
| 5 | 050674 | Cable-Engine Control | 28 | 106005 | Spacer-Adapter |
| 6 | 151936 | Bolt-Handle | 29 | 144204 | Decal-Blade warning |
| 7 | 150235 | Nut-Wing | 30 | 152496 | Bolt-Blade |
| 8 | 715011 | Hitch Pin | 31 | 457168 | Bolt-Engine |
| 9 | 151761 | Pin | 32 | 775585 | Spring |
| 10 | 110379 | Cable Tie | 33 | 461665 | Washer-Lock |
| 11 | 764290 | Rivet | 34 | 459567 | Bolt-Shoulder |
| 12 | 106914 | Clip | 35 | 715417 | Washer- $\frac{3}{8}$ flat |
| 13 | 111591 | Trailing Shield | 36 | 041012 | Wheel |
| 14 | 150623 | Screw-Casing | 37 | 071563 | Yoke |
| 15 | 150318 | Clamp-casing | 38 | 150201 | Washer-Curved |
| 16 | 772251 | Bracket | 39 | 120048 | Screw |
| 17 | 107086 | Bracket Assy.-Yoke, L.H. | 40 | 152629 | Eyebolt-Rope Guide |
| | 107094 | Bracket Assy.-Yoke, R.H. | 41 | 715201 | Bolt $\frac{3}{8}$ -16x $\frac{3}{4}$ hex |
| 18 | 144063 | Decal-Danger | 42 | 133488 | Deflector-Muffler |
| 19 | 104687 | Handle-Bail | 43 | 464305 | Baffle |
| 20 | 463935 | Deflector | 44 | 151613 | Screw-Hex Head |
| 21 | 457499 | Bolt- $\frac{1}{4}$ -20 x $\frac{1}{2}$ | 45 | 458687 | Bolt 10-24x $\frac{1}{2}$ Hex |
| 22 | 151753 | Nut-Acorn | 46 | 452318 | Nut-10-24 Locking |
| 23 | 028977 | Housing | | | |