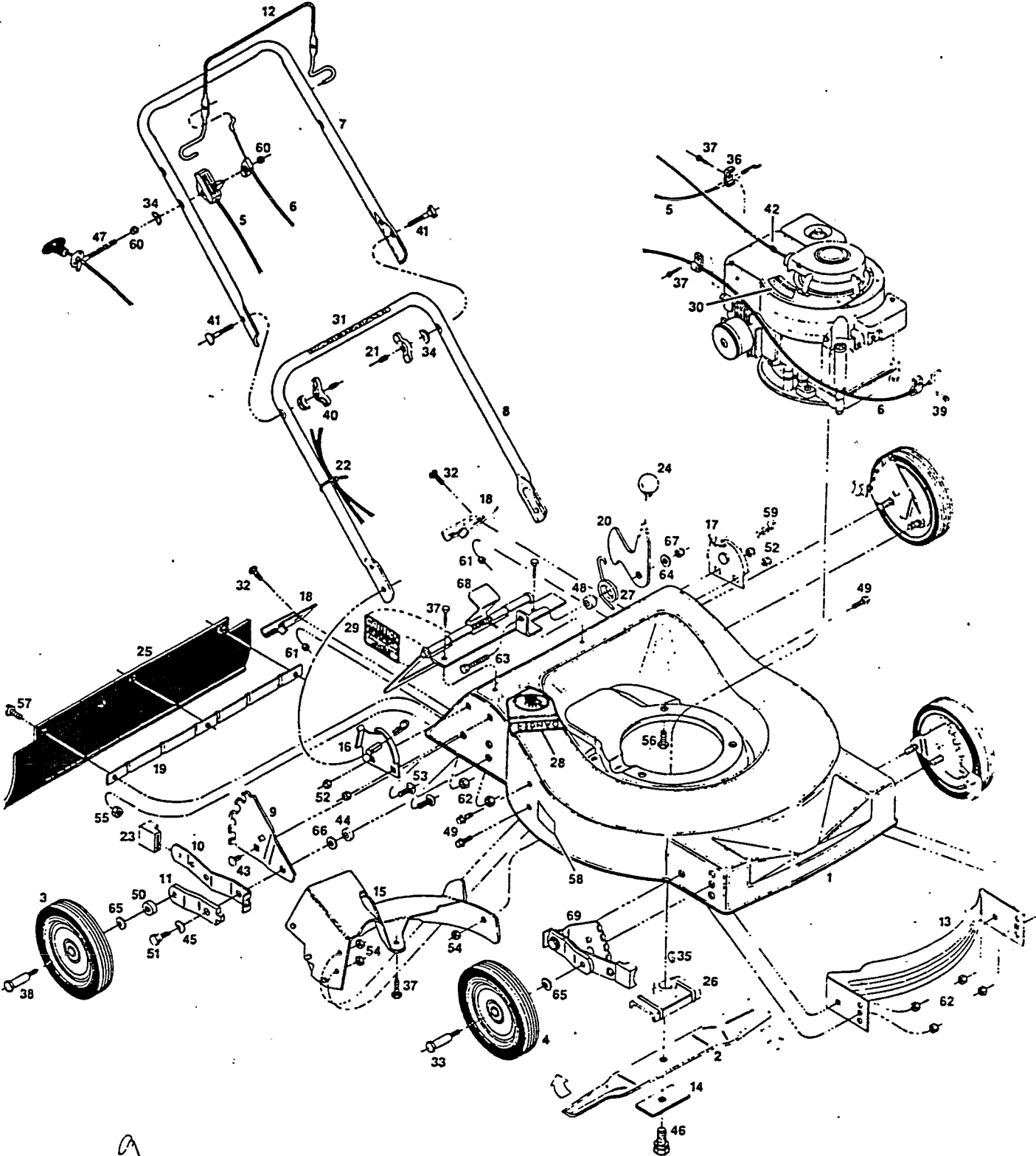


Model 81D  
21" Rear Bagging Rotary Mower



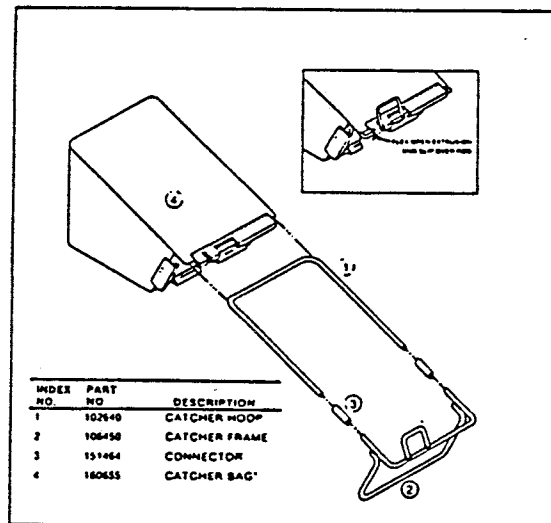
226019

**Model 81D  
21" Rear Bagging Rotary Mower**

Item No.	Part No.	Description
1	028951	Deck 21" Rear
2	030338	Blade 21" Offset
3	040030	Wheel 8 x 1.75 Rear
4	041053	Wheel 8 x 1.75 Front
5	051078	Control - Throttle
6	050997	Cable - Engine/Blade Control*
7	071076	Handle Upper
8	071449	Handle Lower
9	090589	Back Plate - Height Adjuster
10	090613	Setting Lever - Height Adjuster
11	090712	Wheel Lever - Height Adjuster
12	106880	Bail - Engine/Blade Control*
13	105825	Baffle - Front
14	106005	Blade Washer
15	127191	Baffle Assembly
16	106807	Handle Bracket - Right Hand
17	106815	Handle Bracket - Left Hand
18	106930	Catcher Frame Bracket
19	107151	Backing Strip - Trailing Shield
20	108324	Catcher Latch
21	110064	Bolt Cap - Plastic
22	110379	Cable Tie
23	111260	Plastic Tip - Height Adjuster
24	111369	Knob - Catcher Latch
25	111625	Trailing Shield - Plastic*
26	126466	Blade Adapter
27	133371	Torsion Spring - Catcher Latch
28	143115	Decal - C.P.S.C. Danger
29	144162	Decal - Door Caution
30	144204	Decal - Blade Warning
31	144899	Decal - Starting Instructions
32	150011	Bolt - Carriage 1/4-20 x 3/8 Gr. 5
33	150060	Bolt - Wheel, Front
34	150201	Washer - Curved 5/16
35	150276	Woodruff Key No. 6
36	150318	Cable Clamp
37	150623	Screw - Screw Metal #10 x 5/8
38	150730	Bolt - Wheel, Rear
39	151613	Bolt - Hex Head SEMS 10-32 x 3/8
40	151795	Wing Nut 5/16-18
41	151936	Bolt - Curved Head 5/16-18x2-1/4
42	152074	Rope Stop

050989

Item No.	Part No.	Description
43	152405	Bolt - Carriage 3/8-16 x 3/4
44	152413	Washer-Plastic-Height Adjuster
45	152421	Washer Spring - Height Adjuster
46	152496	Bolt - Blade HX HD SEMS 3/8-24x1
47	152629	Rope Guide
48	152637	Spacer - Catcher Latch
49	152660	Bolt - Hex Washer Head 1/4-20 x 1/2
50	152686	Spacer - Rear Wheel
51	153643	Shoulder Bolt - Height Adjuster
52	310151	Locknut - 5/16-18 Nylon Insert
53	313510	Bolt - Carriage 5/16 x 18 x 3/4
54	451419	Nut - 1/4-20 Top Lock Flange
55	452318	Nut #10-24 Hex Nylon Insert
56	457168	Bolt - 3/8-16 x 7/8 Thread Forming
57	458687	Bolt #10-24 x 1/2
58	714170	Decal - Rating Plate
59	715011	Hairpin Cotter
60	715037	Locknut 1/4-20 Keps
61	715078	Locknut 1/4-20 Flange Whiz
62	715086	Locknut 3/8-16 Hex
63	715292	Bolt - Hex Head 1/4-20 x 1
64	715300	Washer 1/4"
65	715607	Washer - Belleville
66	715417	Washer 3/8
67	715508	Locknut 1/4-20 Top
68	126839	Door Assembly*
69	126367	Height Adjuster Assembly



NOTE: PARTS ARE RIGHT OR LEFT HAND AS VIEWED FROM THE OPERATOR POSITION.