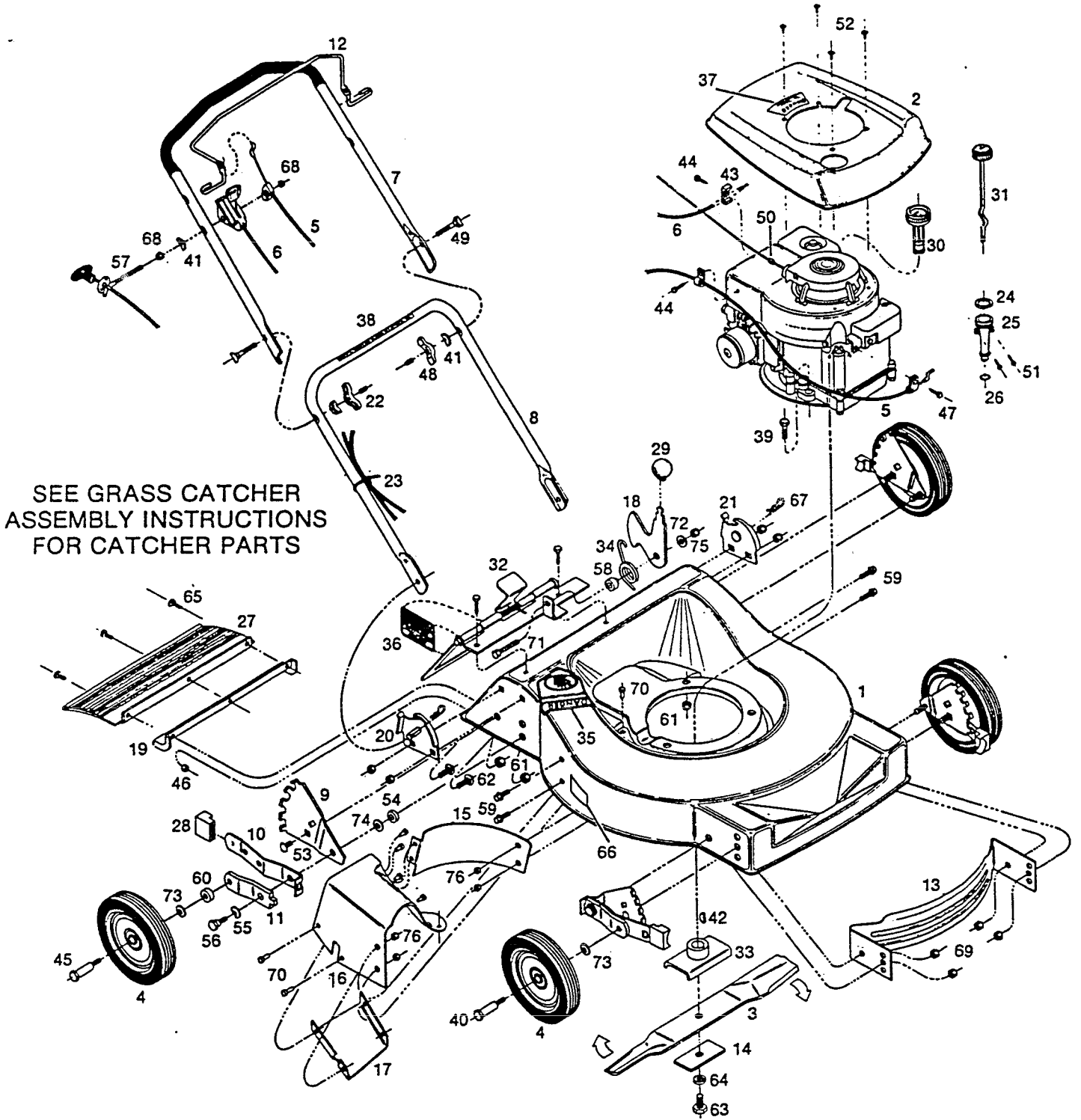


MODEL: 82B
21" REAR BAGGING ROTARY MOWER
With Hard Shell Catcher



MODEL: 82B
21" REAR BAGGING ROTARY MOWER
 With Hard Shell Catcher

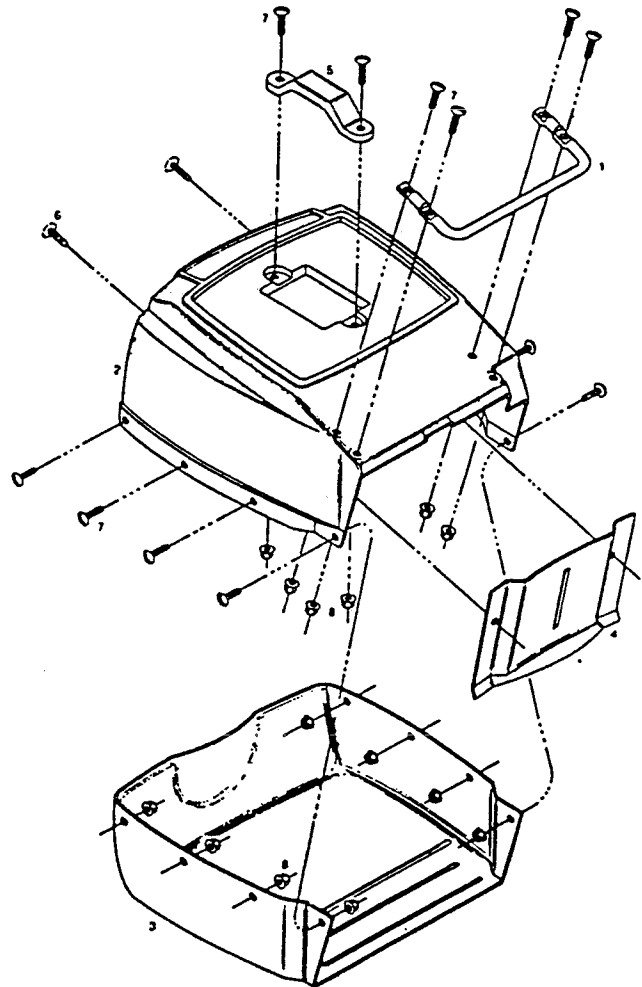
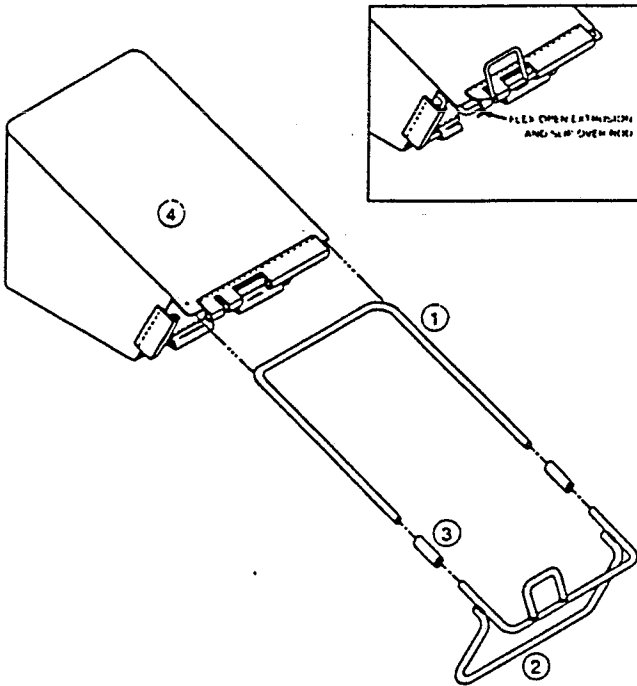
Index Part			Index Part		
No.	No.	Description	No.	No.	Description
1	027862	Deck 21" Rear Bagger	39	150045	Bolt - Hex Head 5/16-18 x 1 1/4
2	027987	Engine Shroud	40	150060	Shoulder Bolt - Wheel Front
3	030411	Blade 21" Offset	41	150201	Washer - Curved 5/16
4	041111	Wheel 8 x 1.75	42	150276	Woodruff Key No. 6
5	050534	Control Cable Engine/Blade*	43	150318	Cable Clamp
6	050559	Control Throttle	44	150623	Screw-Hex Head Sheet Metal #10x3/4
7	071159	Handle Upper	45	150730	Shoulder Bolt - Wheel Rear
8	071449	Handle Lower	46	150946	Locknut - 10-24 Hex Washer Head
9	090589	Back Plate - Height Adjuster	47	151613	Bolt - Hex Head SEMS 10-32x3/4
10	090513	Setting Lever - Height Adjuster	48	151795	Wing Nut 5/16-18
11	090712	Wheel Lever - Height Adjuster	49	151936	Bolt - Curved Head Crg 5/16-18x2 1/4
12	104745	Control - Engine/Blade Crossbar*	50	152074	Rope Stop
13	105825	Baffle - Front	51	152082	Shld Screw-Hex Hd Sheet Metal 8x3/4
14	106005	Blade Washer 3"	52	152199	Screw-Phillips Sheet Metal SEMS 6x1/2
15	106070	Baffle - Rear	53	152405	Bolt - Carriage 3/8-16 x 3/4
16	106633	Baffle - Upper Chute	54	152413	Washer-Plastic-Height Adjuster
17	106641	Baffle - Lower Chute	55	152421	Washer-Spring-Height Adjuster
18	106716	Catcher Latch	56	152587	Shoulder Bolt - Height Adjuster
19	106799	Trailing Shield Mounting Bracket*	57	152629	Rope Guide
20	106807	Handle Bracket - Right Hand	58	152637	Spacer - Catcher Latch
21	106815	Handle Bracket - Left Hand	59	152660	Bolt - Hex Washer Head 1/4-20 x 1/2
22	110064	Bolt Cap	60	152686	Spacer - Rear Wheel
23	110379	Cable Tie	61	310151	Locknut - 5/16 - 18 Nylock
24	110494	O-Ring Large-Oil Dip Stick	62	313510	Bolt - Carriage 5/16-18 x 3/4
25	111112	Oil Fill Tube-Oil Dip Stick	63	450288	Bolt - Blade 3/8-24 x 1 Gr. 5
26	111120	O-Ring Small-Oil Dip Stick	64	461475	Lockwasher - 3/8 Extra Duty
27	111245	Trailing Shield - Plastic*	65	525337	Bolt - Hex Head 10-24 x 1/2
28	111250	Plastic Tip - Height Adjuster	66	714170	Decal - Rating Plate
29	111369	Knob - Catcher Latch	67	715011	Hitch Pin #3
30	120014	Gas Gauge	68	715037	Locknut 1/4-20 Keps
31	125237	Oil Dip Stick and Cap	69	715086	Locknut 3/8-16 Top
32	126839	Door Assembly*	70	715276	Pop Rivet 1/8"
33	133140	Blade Adapter	71	715292	Bolt - Hex Head 1/4-20 x 1
34	133371	Torsion Spring - Catcher Latch	72	715300	Washer 1/4"
35	143115	Decal - C.P.S.C. Danger	73	715409	Washer - Spring-Wheel
36	144162	Decal - Door Caution	74	715417	Washer - 3/8 SAE
37	144204	Decal - Blade Warning	75	715508	Locknut 1/4-20 Top
38	144899	Decal - Starting Instructions	76	451419	Locknut 1/4-20 Flanged Top

NOTE: PARTS ARE RIGHT OR LEFT HAND AS VIEWED FROM THE OPERATOR POSITION.

Rear Bagging Catcher Parts

**MODEL: 81B
GRASS CATCHER**

**MODEL: 82B-84B
GRASS CATCHER**



INDEX NO.	PART NO.	DESCRIPTION
1	-102640	CATCHER HOOP
2	-106450	CATCHER FRAME
3	-151464	CONNECTOR
4	-160580	CATCHER BAG*

INDEX NO.	PART NO.	DESCRIPTION
1	-028464	CATCHER FRAME
2	-111302	CATCHER TOP
3	-111310	CATCHER BOTTOM
4	-111328	CATCHER BAFFLE
5	-111351	CATCHER HANDLE
6	-152694	PLASTIC PUSH FASTENER
7	152652	SCREW-SLOTTED TRUSS HEAD 1/4-20 x 5/8 (14 req.)
8	715078	LOCKNUT 1/4-20 FLANGED WHIZ