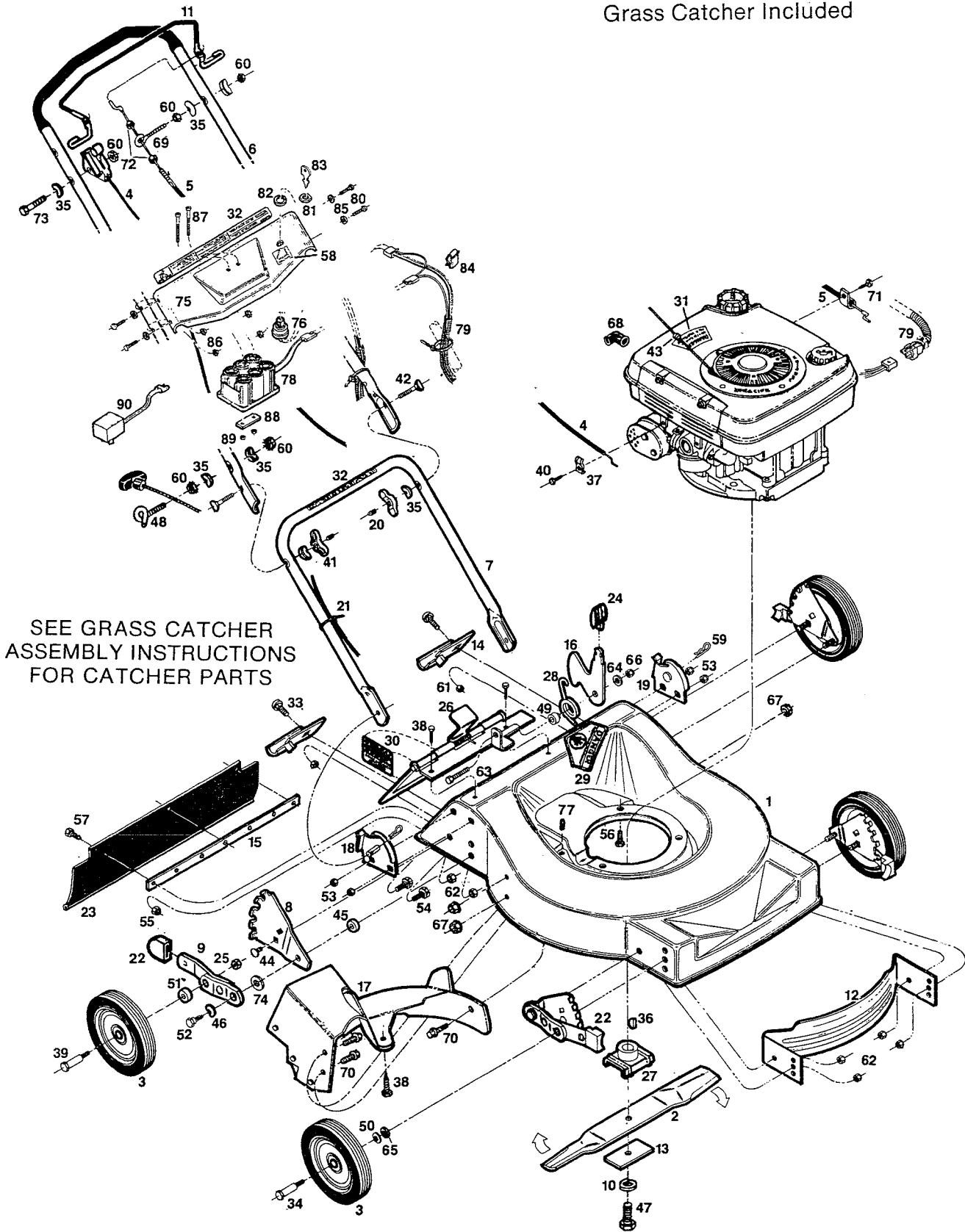


Model 83 F
21" Electric Start Rear Bag Mower
Grass Catcher Included



Model 83 F
21" Electric Start Rear Bag Mower
 Grass Catcher Included

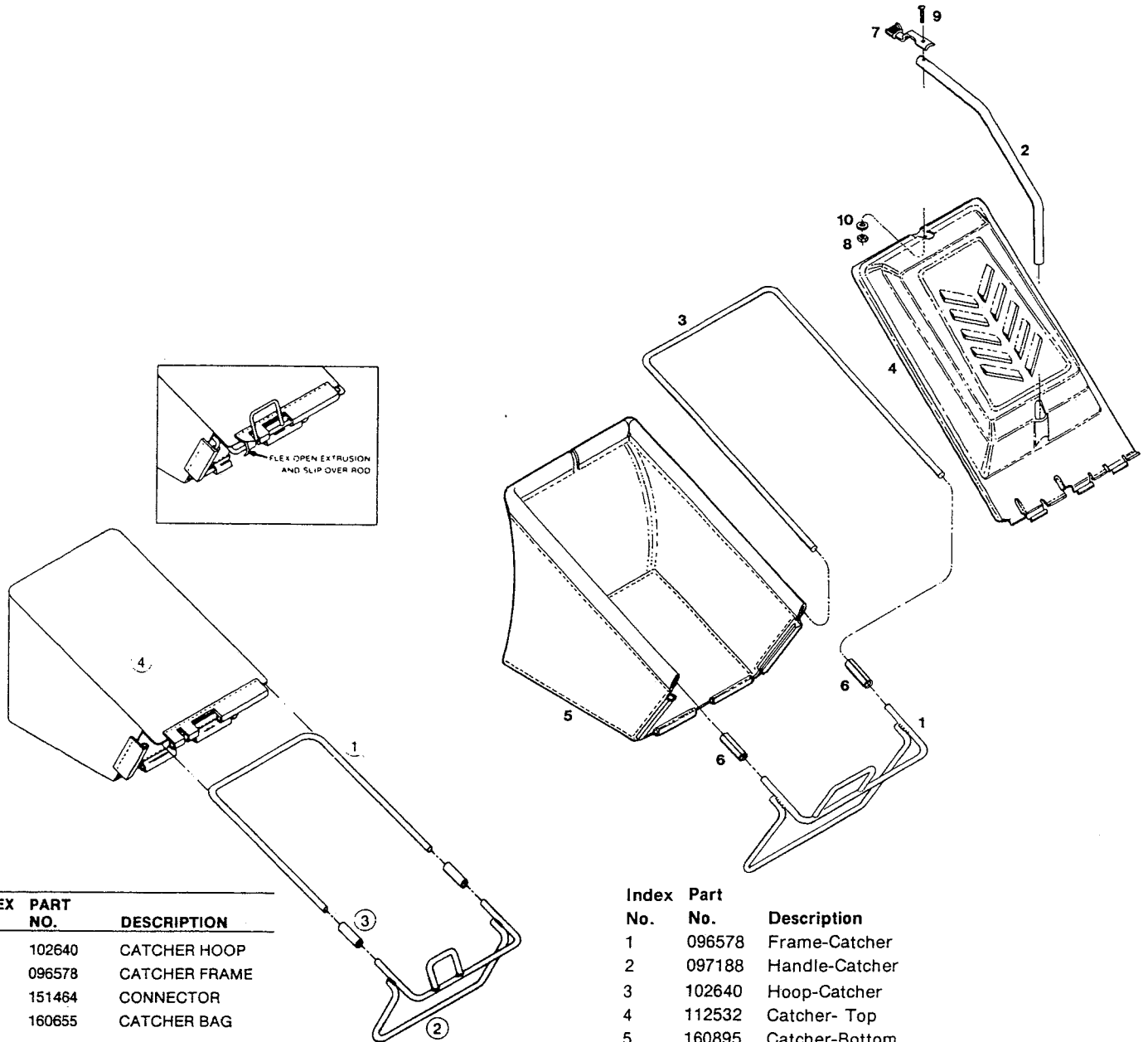
Index No.	Part No.	Description	Index No.	Part No.	Description
1	013391	Deck 21"	46	152421	Washer-Spring-Height Adjuster
2	030338	Blade 21" Offset	47	157255	Bolt - Blade 3/8-24 x 1
3	041392	Wheel 8 x 1.75	48	152371	Eyebolt - Rope Guide
4	051227	Control - Throttle w/Cable	49	152637	Spacer - Catcher Latch
5	051524	Cable - Engine/Blade Control*	50	715607	Washer-Belleville
6	072546	Handle Upper	51	152686	Spacer - Rear Wheel
7	071449	Handle Lower	52	156125	Shoulder Bolt - Height Adjuster
8	090589	Back Plate - Height Adjuster	53	310151	Locknut - 5/16 - 18 Nylock
9	091033	Wheel Arm Assembly	54	450346	Bolt-Hex 5/16-18 x 3/4
10	156919	Lockwasher-3/8 H.D.	55	452318	Nut - #10-24 Hex Nylon Insert
11	109298	Bail - Engine/Blade Control*	56	457168	Bolt - 3/8-16 x 7/8 Thread Forming
12	105825	Baffle - Front	57	458687	Bolt - Hex Head #10-24 x 1/2
13	106005	Blade Washer	58	144089	Decal - Ignition Switch
14	109546	Catcher Frame Bracket	59	715011	Hairpin Cotter
15	109496	Trailing Shield Mounting Strip*	60	715037	Locknut 1/4-20 Keps
16	108324	Catcher Latch	61	715078	Nut - 1/4-20 Flange Whiz
17	127191	Baffle Assembly	62	451492	Nut-3/8-16 Top Lock Flange
18	097162	Handle Bracket - Right Hand	63	715292	Bolt - Head 1/4-20 x 1
19	097170	Handle Bracket - Left Hand	64	715300	Washer 1/4
20	110064	Bolt Cap - Plastic	65	715417	Washer - 3/8
21	110379	Cable Tie	66	715508	Locknut 1/4-20 Top
22	111540	Plastic Tip - Height Adjuster	67	451419	Locknut 1/4-20 Flanged Top
23	111625	Trailing Shield - Plastic*	68	110833	Spark Plug Cover
24	111724	Knob - Catcher Latch	69	155234	Eyebolt-1/4-20 x 2-1/4
25	715524	Nut - 3/8-16 Lock	70	156851	Bolt-1/4-20 x 3/8 Shaved Head
26	126839	Door Assembly*	71	156869	Screw-#10-32 x 3/8
27	126466	Blade Adapter	72	152223	Nut-5/16-24 Jam
28	133371	Torsion Spring - Catcher Latch	73	450379	Bolt-1/4-20 x 1-3/4 Hex
29	143115	Decal - Danger*	74	156877	Washer-3/8 Hardened
30	002451	Decal - Door Caution*	75	013581	Plate - Handle
31	001206	Decal - Blade Warning*	76	050252	Switch - Ignition
32	144915	Decal - Starting Instructions	77	111856	Cap - Bolt
33	150011	Bolt - Carriage 1/4-20 x 5/8 Gr.5	78	134601	Battery - 12 Volt
34	150730	Shoulder Bolt - Wheel Front	79	136093	Wiring Harness
35	150201	Washer - Curved 5/16	80	156836	Screw - Hex #10-24 x 1-1/8
36	150276	Woodruff Key No. 6	81	310102	Nut - Hex 5/8-32
37	150318	Cable Clamp	82	311241	Lockwasher - 5/8
38	150623	Screw-Hex Head Sheet Metal #10 x 5/8	83	304352	Key - Ignition
39	156133	Shoulder Bolt - Wheel Rear	84	447698	Clip - Tinnermann
40	151613	Bolt - Hex Head SEMS 10-32 x 3/8	85	715136	Washer - Flat #10
41	151795	Wing Nut 5/16-18	86	715334	Nut - Keps #10-24
42	151936	Bolt - Curved Head Crg 5/16-18x2-1/4	87	151886	Screw-Machine Round #8-32 x 3-1/4
43	152074	Rope Stop	88	101246	Plate - Reinforcing
44	152405	Bolt - Carriage 3/8-16 x 3/4	89	151894	Locknut - Hex #8-32
45	156182	Washer-Plastic-Height Adjuster	90	132571	Battery Charger

NOTE: PARTS ARE RIGHT OR LEFT HAND AS VIEWED FROM THE OPERATOR POSITION.

SPECIFICATIONS SUBJECT TO CHANGE WITHOUT PRIOR NOTICE.



Grass Catcher Assy. Instructions 21" Rear Bagging Rotary Mowers



INDEX NO.	PART NO.	DESCRIPTION
1	102640	CATCHER HOOP
2	096578	CATCHER FRAME
3	151464	CONNECTOR
4	160655	CATCHER BAG

Index No.	Part No.	Description
1	096578	Frame-Catcher
2	097188	Handle-Catcher
3	102640	Hoop-Catcher
4	112532	Catcher- Top
5	160895	Catcher-Bottom
6	151464	Connector
7	135491	Latch
8	452318	Nut #10-24 Nylock
9	459370	Screw #10-24x1 1/2 Round Hd.
10	715136	Washer #10 Flat

⚠ DANGER Do not attempt to attach or remove grass catcher while engine/blade is turning.

⚠ WARNING Do not operate the mower unless the entire grass catcher is in place.

⚠ WARNING Under normal usage grass catcher bag material is subject to deterioration and wear and should be checked frequently. Be sure that any replacement bag complies with manufacturer's specifications.