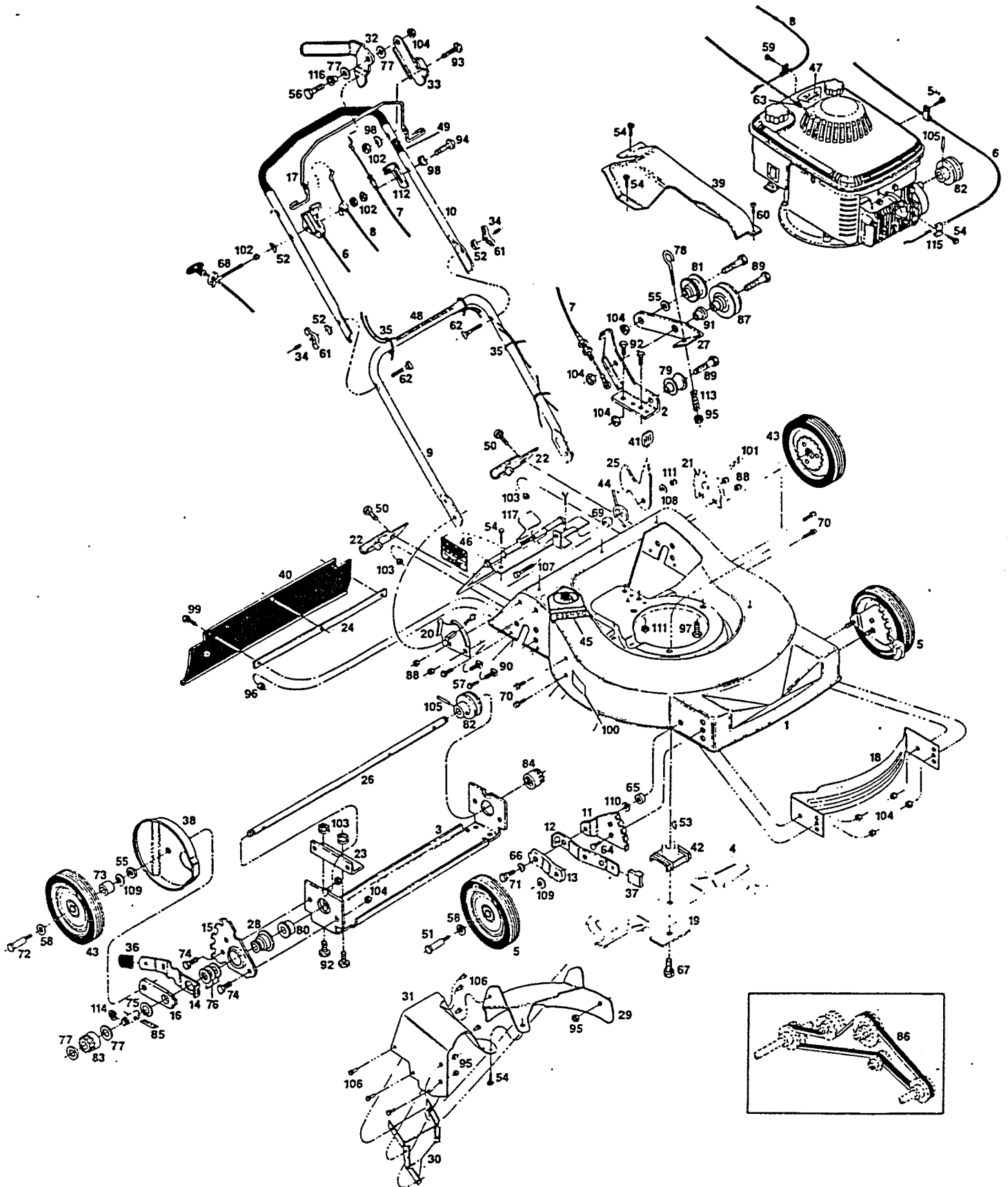


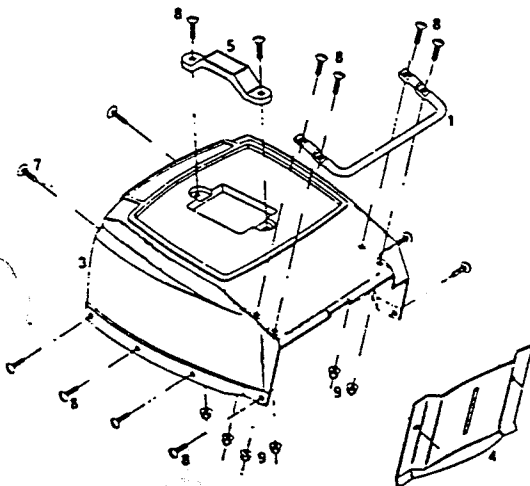
# Model 86C 21" Self-Propelled Rear Bagging Rotary Mower



# Model 86C

Index No.	Part No.	Description	Index No.	Part No.	Description
1	029264	Deck	59	151613	Bolt - hex head sems #10-32 x ¾
2	029298	Idler - cable mtg. brkt.	60	151627	Screw - self drilling #6-20 x ½
3	029314	Drive support bracket	61	151795	Wing nut 5/16-18
4	030338	Blade 21" offset	62	151936	Curved head bolt 5/16 - 18 x 2.25
5	041111	Wheel 8" x 1.75 offset	63	152074	Rope stop
6	050716	Throttle control	64	152405	Bolt - carriage ¾-16 x ¾
7	050831	Cable - S.P. control	65	152413	Washer - plastic ¾ x 11/32 x .095
8	050849	Cable - engine/blade control*	66	152421	Washer - spring
9	071449	Handle - lower	67	152496	Bolt - blade - sems
10	071738	Handle - upper	68	152629	Rope guide
11	090589	Back plate - front	69	152637	Spacer - rear bagger latch
12	090613	Setting lever - front	70	152660	Bolt - hex washer HD. ¼-20 x ½
13	090712	Wheel lever - front	71	153643	Bolt - shoulder - univ. H.O.C.
14	090746	Setting lever - rear	72	153783	Wheel bolt - S.P.
15	090761	Back plate - rear	73	153791	Spacer - rear wheel
16	090787	Wheel lever - rear	74	153817	Bolt - shvd head ¾-16 x ½
17	104745	Control - engine/blade crossbar*	75	153841	Snapping ¾
18	105825	Baffle - front	76	153858	Spring washer ¾ - S.P. H.O.C.
19	106005	Blade washer - 3"	77	152553	Thrust washer ½" I.D.
20	106807	Handle bracket - R.H.	78	153908	Eye Bolt
21	106815	Handle bracket - L.H.	79	170456	Pulley - ¾" bore
22	106930	Catcher hook	80	170464	Bearing - flange ball
23	107128	Drive support mtg. brkt.	81	170530	Pulley - ext hub ¾" - bore
24	107151	Backing strip	82	170670	Pulley - drive ½" bore
25	107169	Latch - rear bagger	83	170787	Pinion - ratchet R.H.
26	107177	Drive shaft	84	170795	Pinion - ratchet L.H.
27	107193	Idler arm	85	170811	Drive pawl
28	107276	Stepped sleeve - S.P. H.O.C.	86	170829	V-belt
29	107284	Curved baffle	87	170878	Idler - pulley
30	107292	Lower baffle	88	310151	Nut - nylon insert - 5/16 - 18
31	107300	Upper baffle	89	312322	Bolt - hex hd. ¾-16 x 1.75
32	107482	Lever - S.P. actuator	90	313510	Bolt 5/16-18 x ¾
33	107508	Actuator bracket	91	326348	Shouldered spacer
34	110064	Plastic - bolt cap	92	449587	Bolt hex hd ¼-20 x ¾
35	110379	Cable tie	93	450072	Bolt hex hd ¼-20 x 1½
36	110510	Plastic tip - S.P. H.O.C.	94	450353	Bolt - hex hd. ¼-20 x 1¼
37	111260	Plastic tip - univ. H.O.C.	95	451419	Nut - TL flange ¼-20
38	111500	Dust cover - wheel	96	452318	Nut - hex nylon insert #10-24
39	111518	Belt cover	97	457168	Bolt - thread form ¾-16 x ¾
40	111633	Vinyl trailing shield*	98	461004	Washer - curved ¾ - ½ I.D.
41	111724	Knob - flat	99	525337	Bolt - hex #10-24 x ½
42	126466	3" blade adapter	100	714170	Decal - rating plate
43	127142	Geared wheel assembly	101	715011	Hitch pin #3
44	133371	Torsion spring - catcher latch	102	715037	Nut - keps ¼ - 20
45	143115	Decal - C.P.S.C. danger	103	715078	Nut - flange whiz ¼ - 20
46	144162	Decal - door caution	104	715086	Locknut - hex - ¾ - 16
47	144204	Decal - blade warning	105	715193	Roll pin 3/16 x 1
48	144899	Decal - starting instructions	106	715276	Pop rivet .125 x .125
49	146761	Decal - drive control instructions	107	715292	Bolt hex head ¼ - 20 x 1
50	150011	Carriage bolt - ¼-20 x ¾	108	715300	Washer - flat ¼"
51	150060	Wheel bolt	109	715409	Washer - belleville ¾
52	150201	Curved washer - 5/16	110	715417	Washer - ¾ S.A.E.
53	150276	Woodruff key #6	111	715508	Nut top lock - ¼ - 20
54	150623	Bolt - slotted hex #10 x ¾	112	772590	Bracket - cable mtg.
55	150771	Washer ¾ I.D. x ¾ O.D.	113	776468	Spring - compression
56	150904	Bolt - shaved hex head - ¾-16 x ¾	114	789883	E-ring
57	151100	Self tap screw ¼-20 x ¾	115	150318	Cable clamp
58	151449	Washer - wheel retaining	116	170886	Shouldered spacer
			117	126839	Door assembly*

## GRASS CATCHER



Index No.	Part No.	Description
1	028464	Upper catcher frame
2	028910	Lower catcher frame
3	111302	Catcher top
4	111328	Catcher baffle
5	111351	Catcher handle
6	111641	Catcher bottom notched
7	152694	Plastic push fastener
8	152652	Screw-slotted truss head ¼-20 x ¾
9	715078	Locknut ¼-20 flanged whiz

