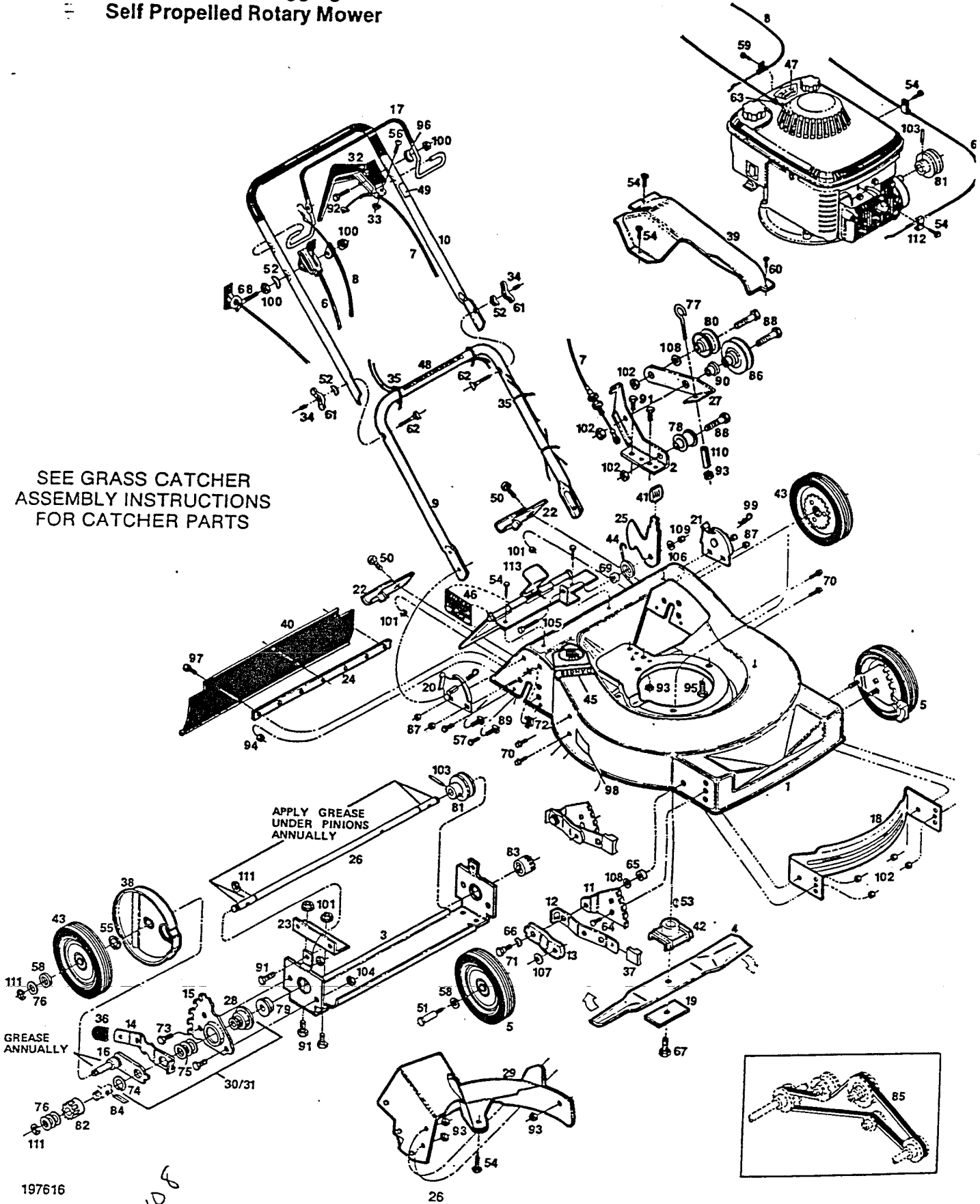


Model 86E
21" Deluxe Rearbagging
Self Propelled Rotary Mower

SEE GRASS CATCHER
 ASSEMBLY INSTRUCTIONS
 FOR CATCHER PARTS



227108

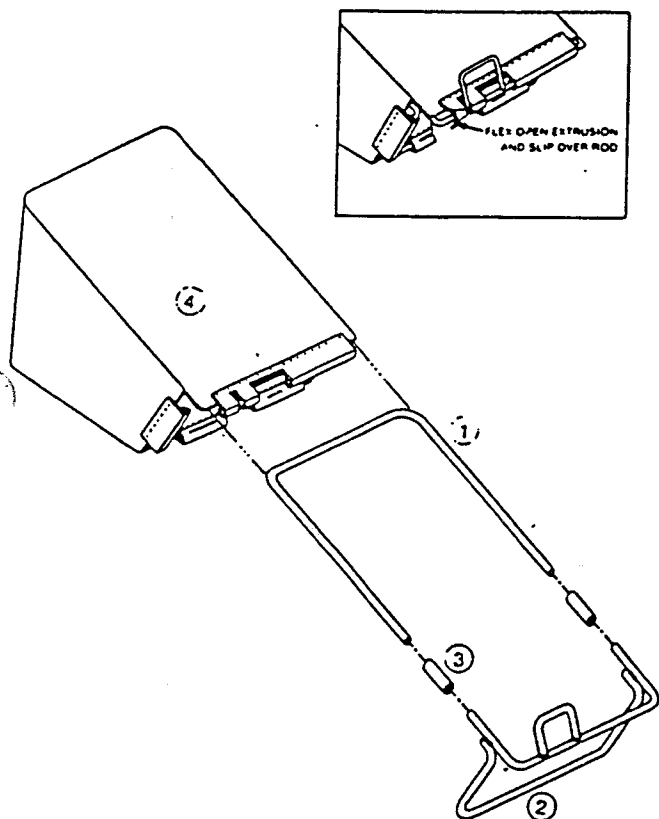
PARTS LIST

Index No.	Part No.	Description	Index No.	Part No.	Description
1	029264	Deck	59	151613	Bolt - hex head sems #10-32 x 3/8
2	029298	Bracket - idler mount	60	151621	Screw - self drilling #6-20 x 1/2
3	024174	Drive support bracket	61	151795	Wing nut 5/16-18
4	030338	Blade 21" offset	62	151936	Curved head bolt 5/16 - 18 x 2.25
5	041111	Wheel 8" x 1.75 front	63	152074	Rope stop
6	051250	Throttle control w/cable	64	152405	Bolt - carriage 3/8-16 x 3/4
7	050955	Cable - S.P. control	65	152413	Washer - plastic 3/4 x 11/32 x .095
8	051300	Cable - engine/blade control*	66	152421	Washer - spring
9	071449	Handle - lower	67	150862	Bolt - blade - sems
10	072256	Handle - upper	68	152629	Eyebolt - Rope guide
11	090589	Back plate - front	69	152637	Spacer - bagger latch
12	090613	Setting lever - front	70	152660	Bolt - hex washer HD. 1/4-20 x 1/2
13	090977	Wheel lever - front	71	153643	Bolt - shoulder
14	090746	Setting lever - rear	72	154393	Nut - Snap in 1/4 - 20
15	090761	Back plate - rear	73	153817	Bolt - hex head 3/8-16 x 1/2
	090910	Wheel lever - rear LH	74	153841	Snapping 3/8
16	090894	Wheel lever - rear RH	75	153858	Spring washer 3/8
17	109124	Bail - engine/blade control*	76	152553	Thrust washer 1/2" I.D.
18	105825	Baffle - front	77	153908	Bolt - Hook
19	106005	Blade washer	78	170456	Pulley - 3/8" bore
20	106807	Handle bracket - R.H.	79	170464	Bearing - flange ball
21	106815	Handle bracket - L.H.	80	170530	Pulley - ext hub 3/8" - bore
22	109546	Catcher hook	81	170670	Pulley - drive 1/2" bore
23	107128	Drive support mtg. brkt.	82	170993	Pinion - ratchet R.H.
24	109496	Backing strip	83	170985	Pinion - ratchet L.H.
25	108324	Latch - rear bagger	84	170811	Drive pawl
26	108357	Drive shaft	85	170829	V-belt 3L 37.5
27	107193	Idler arm	86	170878	Idler - pulley
28	109082	Stepped sleeve	87	310151	Nut - nylon insert - 5/16 - 18
29	127191	Baffle Assembly	88	312322	Bolt - hex hd. 3/8-16 x 1.75
30	128157	Height Adjuster Assembly rear LH	89	313510	Carriage bolt - 5/16-18 x 3/4 .
31	128165	Height Adjuster Assembly rear RH	90	326348	Shouldered spacer
32	111575	Lever - ground drive control	91	449587	Bolt hex hd 1/4-20 x 3/8
33	151894	Nut - Hex #8-32 Nylock	92	450072	Bolt hex hd 1/4-20 x 1 1/2
34	110064	Plastic - bolt cap	93	451419	Nut - TL flange 1/4-20
35	110379	Cable tie	94	452318	Nut - hex nylon insert #10-24
36	110510	Plastic tip - rear adjuster	95	457168	Bolt - thread form 3/8-16 x 3/8
37	111260	Plastic tip - front adjuster	96	461004	Washer - curved 3/8 - 1/4 I.D.
38	112037	Dust cover - wheel	97	458687	Bolt - hex #10-24 x 1/2
39	111518	Belt cover	98	714170	Decal - Model Number
40	111633	Vinyl trailing shield*	99	715011	Hairpin Cotter
41	111724	Knob - catcher latch	100	715037	Nut - keps 1/4 - 20
42	126466	Blade adapter	101	715078	Nut - flange whiz 1/4 - 20
43	128140	Wheel - rear, w/gear	102	715086	Locknut - hex - 3/8 - 16
44	133371	Torsion spring - catcher latch	103	715193	Roll pin 3/16 x 1
45	143115	Decal - Danger*	104	715524	Nut - hex 3/8 - 16 Jam
46	144162	Decal - door caution*	105	715292	Bolt hex head 1/4 - 20 x 1
47	001206	Decal - blade warning*	106	715300	Washer - flat 1/4"
48	144899	Decal - starting instructions	107	715607	Washer - belleville 3/8
49	141507	Decal - drive control instructions	108	715417	Washer - 3/8
50	150011	Carriage bolt - 1/4-20 x 5/8	109	715508	Nut top lock - 1/4 - 20
51	150730	Wheel bolt - front	110	468801	Sleeve - idler cable
52	150201	Curved washer - 5/16	111	789883	E-ring
53	150276	Woodruff key #6	112	150318	Cable clamp
54	150623	Bolt - slotted hex #10 x 3/8	113	127167	Door assembly*
55	790451	Ring - retainer			
56	459065	Screw - Pan Head #8-32 x 3/8			
57	153601	Self tap screw 1/4-20 x 3/8			
58	151449	Washer - wheel retaining			

NOTE: PARTS ARE RIGHT OR LEFT HAND AS VIEWED FROM THE OPERATOR POSITION.
APPROXIMATE CUTTING HEIGHTS 1 1/4" TO 3 1/4".

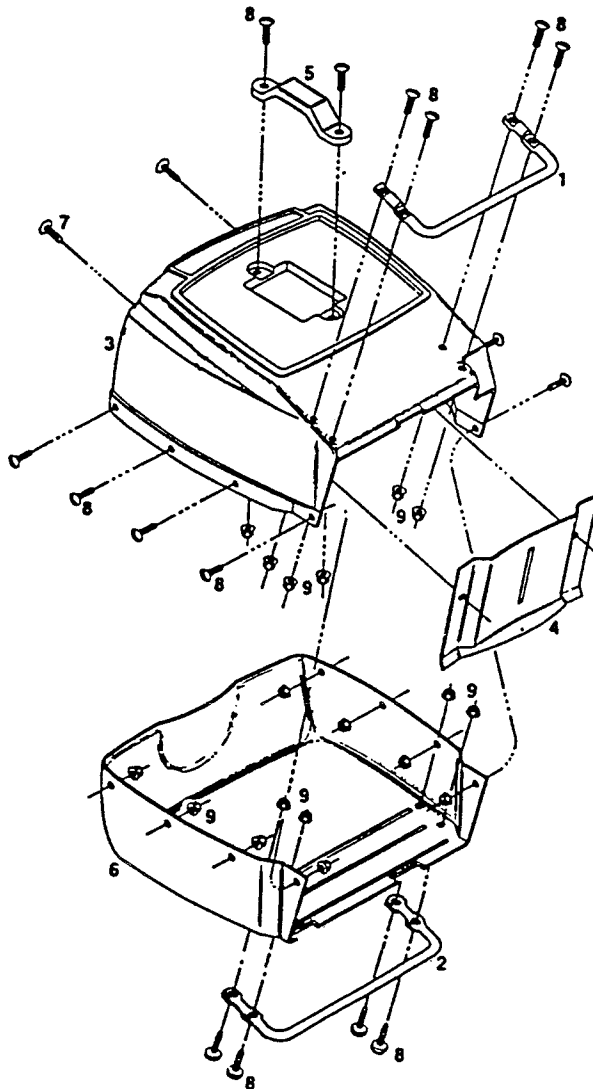
REAR BAGGING CATCHER PARTS

Model 81E GRASS CATCHER



INDEX NO.	PART NO.	DESCRIPTION
1	102640	CATCHER HOOP
2	106450	CATCHER FRAME
3	151464	CONNECTOR
4	160655	CATCHER BAG

Models 82E, 86E, 87E GRASS CATCHER



Index No.	Part No.	Description
1	028464	Upper catcher frame
2	028910	Lower catcher frame
3	111302	Catcher top
4	111328	Catcher baffle
5	111351	Catcher handle
6	111641	Catcher bottom
7	152694	Plastic push fastener.
8	152652	Screw-slotted truss head 1/4-20 x 3/8
9	715078	Locknut 1/4-20 flanged whiz