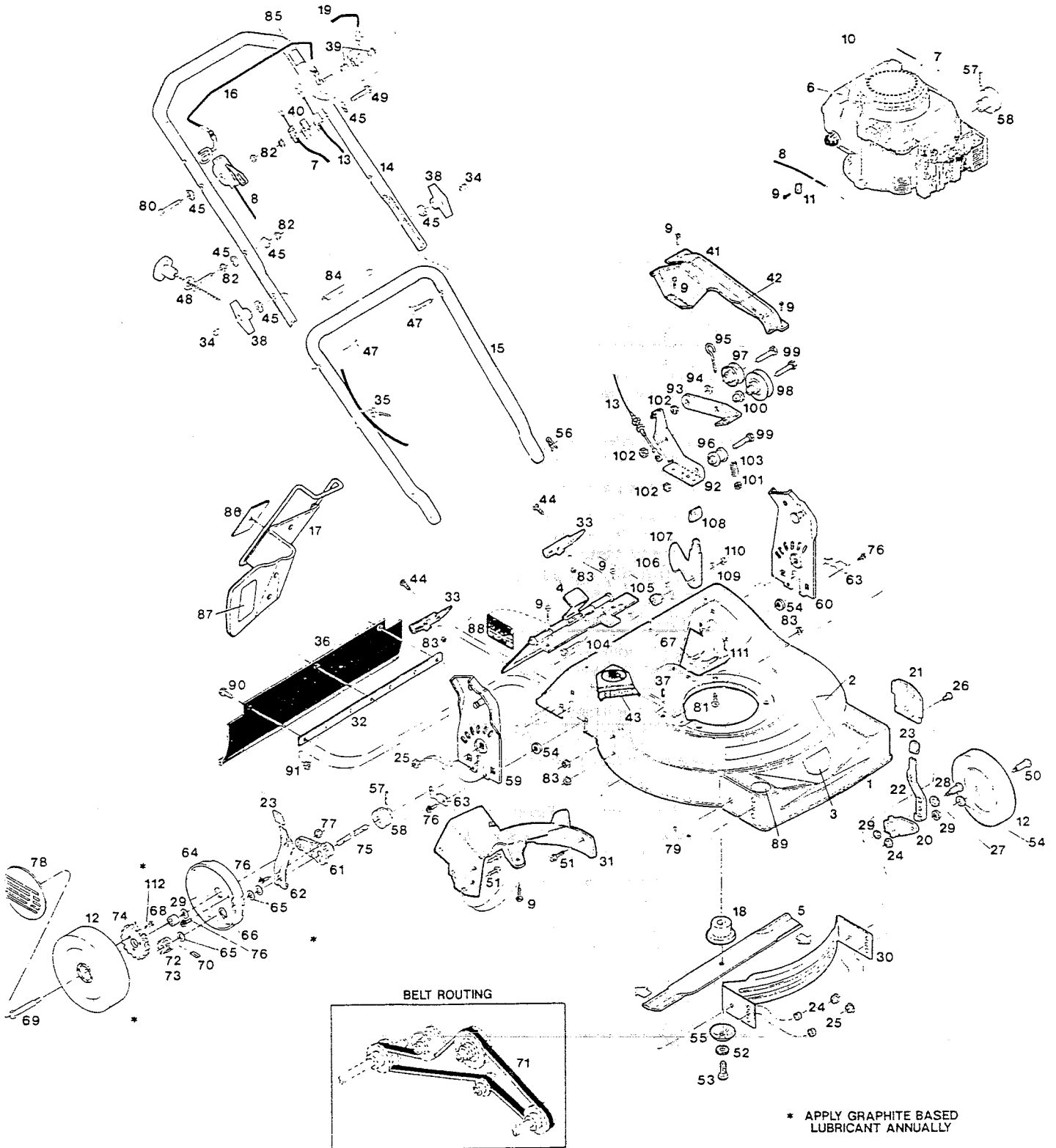


MODEL: 86-N



* APPLY GRAPHITE BASED LUBRICANT ANNUALLY

S/N 239027
P/L 082840
O/M 082915

MODEL 86

WARNING: DO NOT OPERATE YOUR MOWER UNLESS ALL PARTS ARE ATTACHED AND IN GOOD WORKING ORDER. KEEP YOUR MOWER IN GOOD REPAIR AT ALL TIMES.

Index No.	Part No.	Description	Index No.	Part No.	Description
1	023763	Deck - 21" red	57	166603	Pin - 3/16 x 1" spiral
2	799821	Decal - LC TV	58	171918	Pulley - 1-7/8" 3L
3	001446	Decal - 21"	59	093294	Back plate - rear R.H.
4	013706	Door assembly	60	093302	Back plate - rear L.H.
5	031377	Blade - 21"	61	093310	Wheel arm - drive
6	001206	Decal - blade warning	62	095320	Lever - setting height adj - drive
7	052852	Cable - engine/blade control	63	093542	Pinion bracket
8	053114	Control - throttle	64	115450	Dust cover - wheel
9	166640	Screw - #10-16 x 5/8" tap	65	152553	Washer - 1/2" flat
10	152074	Rope stop	66	153940	E-ring
11	157552	Cable clamp	67	154088	Bolt - 5/16-18 x 1/2" carriage
12	043244	Wheel - 8" x 2" drive	68	164889	Spacer - 1/2" wheel
13	052878	Cable - drive engagement	69	166744	Shoulder bolt - wheel rear
14	073411	Handle - upper	70	171041	Drive pawl
15	073437	Handle - lower	71	170829	V-belt 3L
16	073584	Bail - engine blade	72	093369	Pinion - ratchet L.H.
17	088211	Mulcher plate assembly	73	093351	Pinion - ratchet R.H.
18	094933	Blade adapter	74	171157	Gear - wheel drive
19	092593	Bail - ground drive	75	171967	Drive shaft - 1/2"
20	091819	Wheel arm	76	457192	Screw - #10-32 x 1/2" tap
21	092775	Back plate - height adjuster	77	715391	Nut - 3/8-16 hex
22	092817	Lever - setting height adjuster	78	043240	Hubcap
23	114462	Plastic tip - height adjuster	79	164998	Screw - 1/2 tap
24	156406	Nut - 3/8-16 flange lock	80	150433	Bolt - 1/4-20 x 2" HHCS
25	157610	Nut - 5/16-18 flange lock	81	164999	Bolt - 3/8-16 x 7/8" tap
26	158907	Bolt - 5/16-18 x 5/8" carriage	82	715037	Nut - 1/4-20 keps
27	164020	Washer - 1/2" hardened	83	715078	Nut - 1/4-20 flange lock
28	164897	Shoulder bolt - height adjuster	84	799599	Decal - starting instructions
29	715607	Washer - 3/8" belleville	85	794412	Decal - drive control
30	092825	Baffle - front	86	794735	Decal - mulcher warning
31	094965	Baffle - axle clearance ass'y	87	794743	Decal - mulcher plate install
32	109496	Backing strip - trailing shield	88	795039	Decal - door warning
33	109546	Bracket - attachments	89	799056	Decal - 3 in 1
34	110064	Bolt cap	90	458687	Bolt - #10-24 x 1/2" HHCS
35	110379	Cable tie	91	452318	Nut - #10-24 nylon insert
36	111633	Trailing shield - plastic	92	094951	Bracket - idler mount
37	111856	Cap - plastic	93	107193	Idler arm
38	115540	Wing knob	94	150771	Washer - 3/8" flat
39	588463	Bushing - nylon	95	153908	Bolt - 1/4-20 hook
40	115337	Spacer - cable mount	96	170456	Idler pulley
41	115471	Belt cover	97	170530	Idler pulley - extended hub
42	715672	Decal - belt cover	98	170878	Pulley - 3-1/8" 3L
43	143115	Decal - CPSC danger	99	312322	Bolt - 3/8-16 x 1-3/4" HHCS
44	150011	Bolt - 1/4-20 x 5/8" carriage	100	326348	Spacer - 3/8" idler
45	150201	Washer - 5/16" curved	101	451419	Nut - 1/4-20 flange lock
46	043236	Wheel - 8" x 2"	102	715086	Nut - 3/8 - 16 lock
47	151936	Bolt - 5/16-18 x 2-1/4" curved head	103	776468	Spring - idler cable
48	152371	Eyebolt - 1/4-20	104	715292	Bolt - 1/4-20 x 1" HHCS
49	153874	Bolt - 1/4-20 x 2-1/4" HHCS	105	152637	Spacer - latch
50	166740	Shoulder bolt - wheel front	106	133371	Torsion spring - latch
51	156851	Bolt - 1/4-20 x 3/8" HHCS	107	022830	Latch - attachments
52	156877	Washer - 3/8" hardened	108	111724	Knob - latch
53	157255	Bolt - 3/8-24 x 1-1/4" HHCS Gr 8	109	462093	Washer - 1/4" flat
54	158469	Washer - 3/8" flat	110	715508	Nut - 1/4-20 top lock
55	164681	Washer - 3/8" conical	111	158907	Bolt - 5/16-18 x 5/8 carriage
56	164913	Hitch pin	112	459677	Screw - #8-9 x 1-1/8 HWH

NOTE: PARTS ARE RIGHT OR LEFT HAND AS VIEWED FROM THE OPERATOR POSITION. SPECIFICATIONS SUBJECT TO CHANGE WITHOUT PRIOR NOTICE.

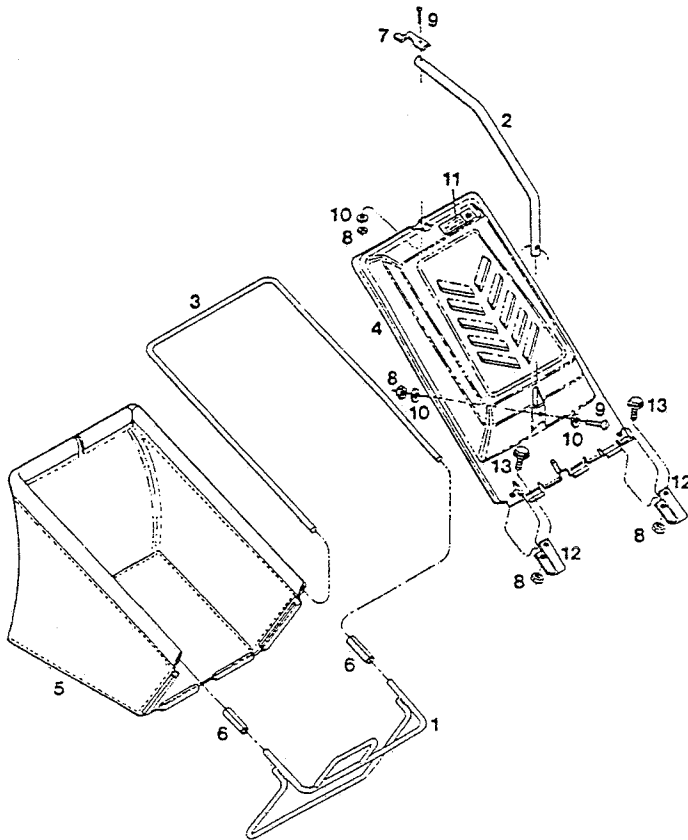
S/N 239027
P/L 082840
O/M 082915

21" REAR BAGGING SELF PROPELLED ROTARY MOWER MODEL 86

GRASS CATCHER INCLUDED

GRASS CATCHER ASSEMBLY INSTRUCTIONS

The grass catcher requires some assembly.
To assemble proceed as follows. (Refer to illustration)



Index Part

No.	No.	Description
1	096578	Frame-Catcher
2	089326	Handle-Catcher
3	172593	Hoop-Catcher
4	114900	Catcher-Top
5	161034	Catcher-Bottom
6	151464	Connector
7	176149	Latch
8	452318	Nut #10-24 Nylock
9	459370	Screw #10-24 x 1 1/2 Round Hd
10	715136	Washer #10 Flat
11	001800	Decal - Warning
12	089292	Clip - Retainer
13	380949	Screw - #10-24 x 1 Hex

INSTRUCTIONS

- Slide fabric catcher bottom (Index #5) into place on hoop (Index #3) through pockets along upper edge of catcher.
- Push frame connectors (Index #6) onto hoop and install frame on connectors. **NOTE:** Be sure hoop and frame fully contact through connector to insure proper closing and latching of catcher top.
- Spread vinyl locking strips on catcher bottom and attach to lower half of catcher frame.
- Insert catcher handle (Index #2) into hole in front of catcher top (Index #4). Attach handle, with latch (Index #7) on rear, to catcher top with two #10 x 1-1/2 inch round head slotted screws (Index #9), flat washers (Index #10), and hex nylok nuts (Index #8). See illustration for location of 3 washers.
- Push front of catcher top into top of catcher frame (Index #1) until hinges snap into position. Attach frame retainer clips (Index #12) with two #10 x 1 inch hex head slotted screws (Index #13) and hex nylok nuts (Index #8).
- Push down back of catcher top to engage latch with hoop.

Grass catcher is now completely assembled, see instructions for attaching and removing grass catcher.

⚠ DANGER Do not attempt to attach or remove grass catcher while engine/blade is turning.

⚠ WARNING Do not operate the mower unless the entire grass catcher or mulching adapter kit is in place.

⚠ WARNING Under normal usage grass catcher bag material is subject to deterioration and wear and should be checked frequently. Be sure that any replacement bag complies with manufacturer's specifications.

⚠ WARNING

THOROUGHLY READ OPERATOR'S MANUAL AND ASSEMBLE ALL LOOSE PARTS BEFORE OPERATING MOWER.