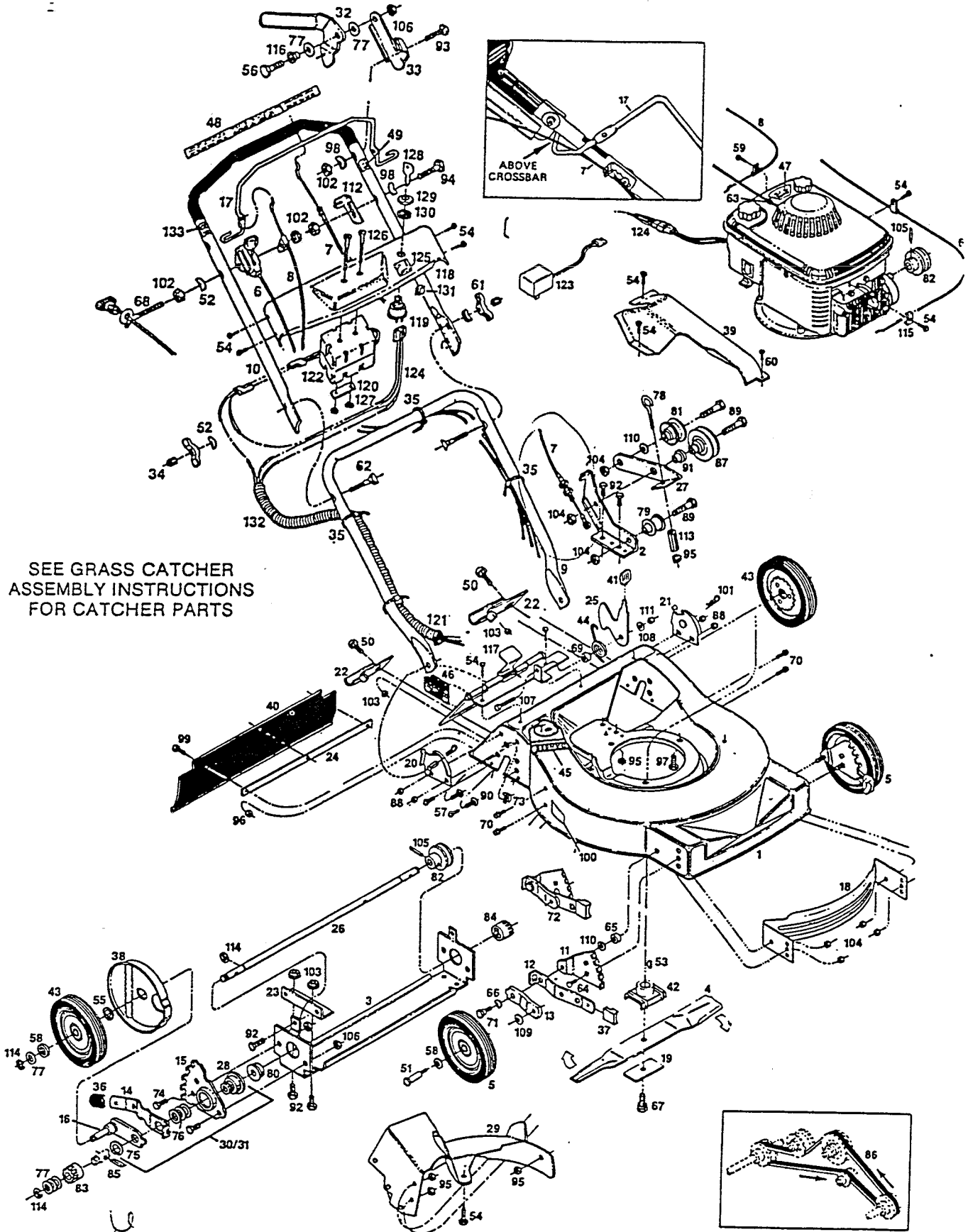


Model 87D  
21" Electric Start  
Self-Propelled Rear Bagging Mower



SEE GRASS CATCHER  
ASSEMBLY INSTRUCTIONS  
FOR CATCHER PARTS

226126

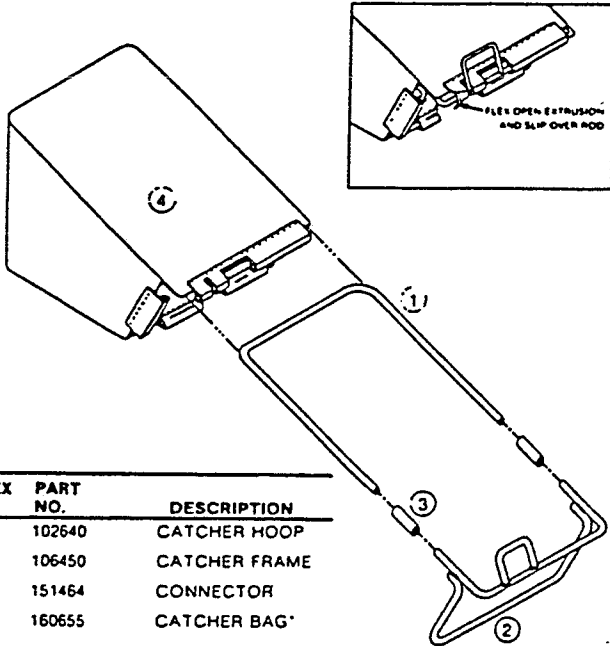
**Model 87D**  
**21" Electric Start**  
**Self-Propelled Rear Bagging Mower**

Index No.	Part No.	Description	Index No.	Part No.	Description
1	029264	Deck	67	152496	Bolt - blade - sems
2	029298	Bracket - idler mount	68	152629	Eyebolt - rope guide
3	024174	Drive support bracket	69	152637	Spacer - bagger latch
4	030338	Blade 21" offset	70	152660	Bolt - hex washer HD. ¼-20 x ½
5	041111	Wheel 8" x 1.75	71	153643	Bolt - shoulder
6	050716	Throttle control w/cable	72	128686	Height adjuster assembly - front
7	050831	Cable - S.P. control	73	155450	Nut - snap in ¼-20
8	050997	Cable - engine/blade control*	74	153817	Bolt - hex head ¾-16 x ½
9	071449	Handle - lower	75	153841	Snapping ¾
10	071753	Handle - upper	76	153858	Spring washer ¾
11	090589	Back plate - front	77	152553	Thrust washer ½" I.D.
12	090613	Setting lever - front	78	153908	Bolt - hook
13	090712	Wheel lever - front	79	70456	Pulley - ¾" bore
14	090746	Setting lever - rear	80	170464	Bearing - flange ball
15	090761	Back plate - rear	81	170530	Pulley - ext hub ¾" - bore
	090910	Wheel lever - rear LH	82	170670	Pulley - drive ½" bore
16	090894	Wheel lever - rear RH	83	170993	Pinion - ratchet R.H.
17	107912	Bail - engine/blade control*	84	170985	Pinion - ratchet L.H.
18	105825	Baffle - front	85	170811	Drive pawl
19	106005	Blade washer	86	170829	V-belt 37.5
20	106807	Handle bracket - R.H.	87	170878	Idler - pulley
21	106815	Handle bracket - L.H.	88	310151	Nut - nylon insert - 5/16 - 18
22	106930	Catcher hook	89	312322	Bolt - hex hd. ¾-16 x 1.75
23	107128	Drive support mtg. brkt.	90	313510	Bolt hex hd 5/16-18 x ¾
24	107151	Backing strip	91	326348	Shouldered spacer
25	108324	Latch - rear bagger	92	449587	Bolt hex hd ¼-20 x ¾
26	108357	Drive shaft	93	450072	Bolt hex hd ¼-20 x 1½
27	107193	Idler arm	94	450353	Bolt - hex hd. ¼-20 x 1¼
28	108647	Stepped sleeve	95	451419	Nut - TL flange ¼-20
29	127191	Baffle Assembly	96	452318	Nut - hex nylon insert #10-24
30	128157	Height Adjuster Assembly - rear LH	97	457168	Bolt - thread form ¾-16 x ¾
31	128165	Height Adjuster Assembly - rear RH	98	461004	Washer - curved ¾ - ¼ I.D.
32	107482	Lever - ground drive control	99	458687	Bolt - hex #10-24 x ½
33	107508	Actuator bracket	100	714170	Decal - model number
34	110064	Plastic - bolt cap	101	715011	Hairpin cotter
35	110379	Cable tie	102	715037	Nut - keps ¼ - 20
36	110510	Plastic tip - Rear ht. adj.	103	715078	Nut - flange whiz ¼ - 20
37	111260	Plastic tip - Front ht. adj.	104	715086	Locknut - hex - ¾ - 16
38	111872	Dust cover - wheel	105	715193	Roll pin 3/16 x 1
39	111518	Belt cover	106	715524	Nut - hex 3/8-16 jam
40	111633	Vinyl trailing shield*	107	715292	Bolt hex head ¼ - 20 x 1
41	111724	Knob - catcher latch	108	715300	Washer - flat ¼"
42	126466	Blade adapter	109	715607	Washer - Belleville ¾
43	128140	Wheel - rear, w/gear	110	715417	Washer - ¾ S.A.E.
44	133371	Torsion spring - catcher latch	111	715508	Nut top lock - ¼ - 20
45	143115	Decal - danger*	112	722590	Bracket - cable mtg.
46	144162	Decal - door caution*	113	468801	Sleeve - idler cable
47	149468	Decal - blade warning*	114	789883	E-ring
48	144915	Decal - starting instructions	115	150318	Cable clamp
49	146761	Decal - drive control instructions	116	170886	Shouldered spacer
50	150011	Carriage bolt - ¼-20 x ¾	117	127167	Door assembly*
51	150730	Wheel bolt - front	118	029462	Handle plate
52	150201	Curved washer - 5/16	119	050252	Start switch
53	150276	Woodruff key #6	120	101246	Plate - reinforcing
54	150623	Bolt - slotted hex #10 x ¾	121	110981	Retainer clip
55	790451	Ring - retainer	122	132563	Battery 12 v.
56	150904	Bolt - hex head - ¾-16 x ¾	123	132571	Battery charger
57	153601	Self tap screw ¼-20 x ¾	124	133652	Wiring harness
58	151449	Washer - wheel retaining	125	144089	Decal - start switch
59	151613	Bolt - hex head sems #10-32 x ¾	126	151886	Screw - rd hd mach. #8-32 x 3¼
60	151621	Screw - self drilling #6-20 x ½	127	151894	Locknut - nylon insert, #8-32
61	151795	Wing nut 5/16-18	128	304576	Ignition key
62	151936	Curved head bolt 5/16 - 18 x 2.25	129	310102	Nut - hex, ¾-32
63	152074	Rope stop	130	311241	Lockwasher ¾
64	152405	Bolt - carriage ¾-16 x ¾	131	447698	Clip - tinnermann
65	152413	Washer - plastic ¾ x 11/32 x .095	132	910042	Harness wrap
66	152421	Washer - spring	133	147322	Decal - aux. start

NOTE: PARTS ARE RIGHT OR LEFT HAND AS VIEWED FROM THE OPERATOR POSITION.

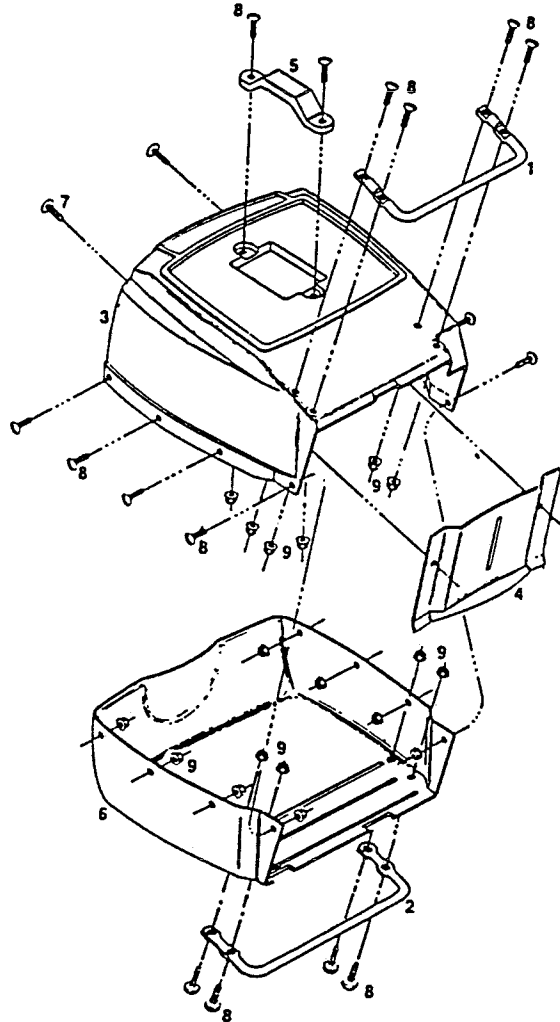
# Rear Bagging Catcher Parts

## Model 81D Grass Catcher



INDEX NO.	PART NO.	DESCRIPTION
1	102640	CATCHER HOOP
2	106450	CATCHER FRAME
3	151464	CONNECTOR
4	160655	CATCHER BAG*

## Models 82D, 86D, 87D Grass Catcher



Index No.	Part No.	Description
1	028464	Upper catcher frame
2	028910	Lower catcher frame
3	111302	Catcher top
4	111328	Catcher baffle
5	111351	Catcher handle
6	111641	Catcher bottom
7	152694	Plastic push fastener
8	152652	Screw-slotted truss head 1/4-20 x 3/8
9	715078	Locknut 1/4-20 flanged whiz