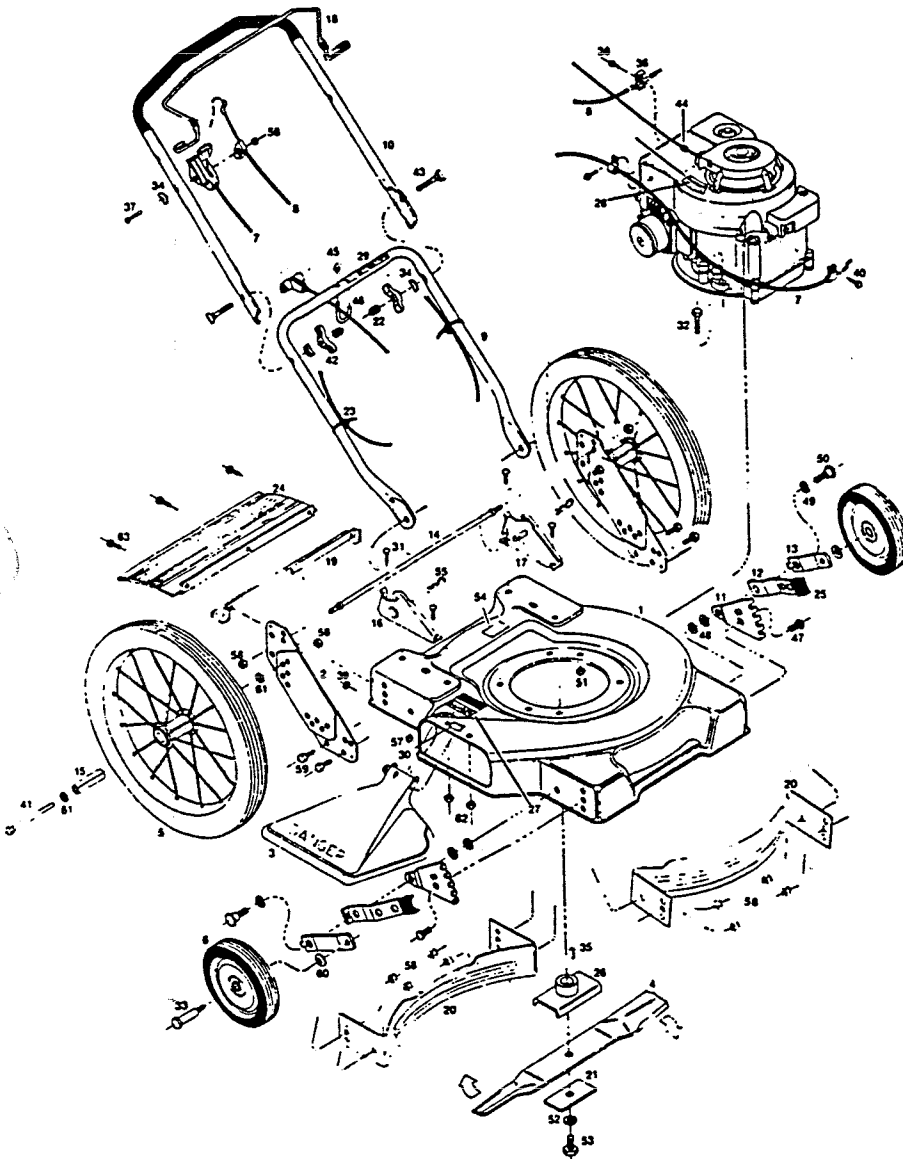


MODEL: 90B
22" HIGHWHEEL ROTARY MOWER
 Grass Catcher Model GC-12



INDEX NO.	PART NO.	DESCRIPTION
1	028415	Deck 22"
2	027698	Wheel bracket
3	028266	Chute deflector assembly*
4	030429	Blade - 22" offset
5	040410	Wheel - 16 x 1.75
6	041111	Wheel - 8 x 1.75
7	050500	Control cable - engine/blade*
8	050542	Control - throttle
9	071050	Handle - lower
10	071159	Handle - upper - coated
11	090589	Back plate - height adjuster
12	090613	Setting lever - height adjuster
13	090712	Wheel lever - height adjuster
14	100396	Stabilizer
15	103424	Spacer - wheel
16	104661	Handle bracket - right hand
17	104679	Handle bracket - left hand
18	104745	Control-engine/blade crossbar*
19	105767	Trailing shield mtg. bracket
20	105791	Baffle-front and rear
21	106005	Blade washer - 3"
22	110064	Bolt cap
23	110379	Cable tie
24	111252	Shield - vinyl 17.75"
25	111260	Plastic tip - height adjuster
26	133140	Blade adapter
27	144063	Decal - C.P.S.C. Danger
28	144204	Decal - Blade Warning
29	144899	Decal - Starting Instructions
30	145425	Decal - Danger Install Chute-Deflector
31	150011	Bolt-Carriage- $\frac{1}{2}$ -20x $\frac{1}{2}$ Gr 5
32	150045	Bolt-Hex Head 5/16-18 x 1 $\frac{1}{4}$
33	150060	Shoulder Bolt-Wheel
34	150201	Washer - 5/16 curved
35	150276	Woodruff key #6
36	150318	Cable clamp
37	150433	Bolt-hex head $\frac{1}{2}$ -20 x 2
38	150623	Screw-hex head sht. metal #10x $\frac{1}{2}$
39	150946	Locknut 10-24 hex washer head
40	151613	Bolt-hex head SEMS 10-32x $\frac{1}{2}$
41	151647	Bolt-hex head $\frac{3}{8}$ -16x4
42	151795	Wing nut 5/16-18
43	151936	Bolt-curved head carg. 5/16-18x2 $\frac{1}{4}$
44	152074	Rope stop
45	152207	Locknut $\frac{1}{2}$ -20 acorn
46	152215	Rope guide
47	152405	Bolt-carriage $\frac{3}{8}$ -16x $\frac{1}{2}$
48	152413	Washer-plastic-height adjuster
49	152421	Washer-spring-height adjuster
50	152587	Shoulder bolt-height adjuster
51	310151	Locknut-5/16-18 nylon
52	461475	Lockwasher- $\frac{3}{8}$ extra duty
53	450288	Bolt-blade $\frac{3}{8}$ -24x1 Gr 5
54	714170	Decal - rating plate
55	715011	Hitch pin #3
56	715037	Locknut- $\frac{1}{2}$ -20 keps
57	715078	Locknut- $\frac{1}{2}$ -20 flanged whiz
58	715086	Locknut $\frac{3}{8}$ -16 top
59	715201	Bolt-hex head $\frac{3}{8}$ -16x $\frac{1}{2}$
60	715409	Washer-spring-wheel
61	715417	Washer- $\frac{3}{8}$ SAE
62	715508	Locknut- $\frac{1}{2}$ -20 top
63	525337	Bolt-hex head #10-24x $\frac{1}{2}$

NOTE: Parts are right or left hand as viewed from operator position.
 Approximate cutting heights 1 $\frac{1}{4}$ " to 3 $\frac{1}{4}$ ".
 Specifications subject to change without prior notice.