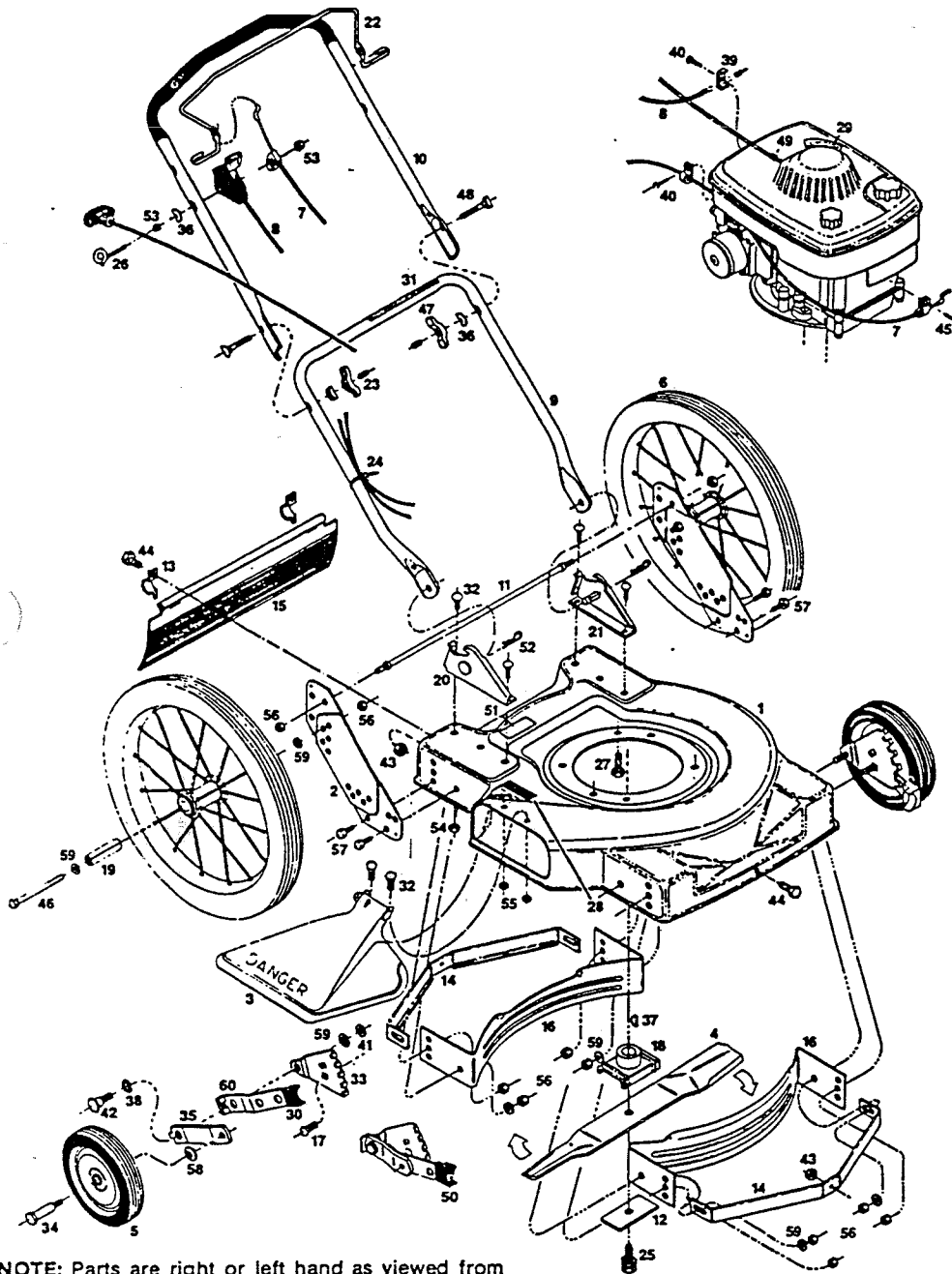


**Model 90D**  
**22" Rotary Mower**  
**Grass Catcher GC-12**



**INDEX**

NO.	PART NO.	DESCRIPTION
1	024364	Deck 22"
2	027698	Wheel Bracket - rear
3	028886	Chute Deflector Assembly *
4	030353	Blade - 22"
5	040923	Wheel 8 x 1.75 Steel
6	040410	Wheel 16 x 1.75
7	051037	Control Cable - Engine/Blade*
8	050906	Control - Throttle
9	071563	Handle - Lower
10	071159	Handle - Upper Coated
11	100396	Stabilizer Bar
12	106005	Blade Washer
13	106914	Clip - Trailing Shield
14	106997	Deck Stiffener
15	111617	Trailing Shield - Plastic*
16	106625	Baffle - Front & Rear
17	152405	Bolt - Carriage 3/8-16 x 3/4
18	126466	Blade Adapter
19	103424	Spacer - Wheel Sleeve
20	104661	Handle Bracket - Right Hand
21	104679	Handle Bracket - Left Hand
22	107912	Bail - Engine Blade Control*
23	110064	Bolt Cap- Plastic
24	110379	Cable Tie
25	152496	Blade Bolt
26	152629	Eyebolt - Rope Guide
27	457168	Bolt 3/8-16 x 7/8 TDFM
28	144063	Decal - C.P.S.C. Danger
29	149468	Decal - Blade Warning
30	111260	Plastic Tip - Height Adjuster
31	144899	Decal - Starting Instructions
32	150011	Carriage Bolt 1/4-20 x 5/8
33	090589	Back Plate - Height Adjuster
34	150060	Wheel Bolt - front
35	090977	Wheel Lever - Height Adjuster
36	150201	Curved Washer 5/16
37	150276	Woodruff Key #6
38	152421	Washer-Spring-Height Adjuster
39	150318	Cable Clamp
40	150623	Self Tap Screw #10 x 5/8
41	152413	Washer-Plastic - Height Adjuster
42	153643	Shoulder Bolt - Height Adjuster
43	452318	Nut #10-24 Hex Nylon Insert
44	458687	Bolt Hex 10-24 x 1/2
45	151613	Screw #10-32 x 3/8 SEMS
46	151647	Hex Head Bolt 3/8-16 x 4
47	151795	Wing Nut 5/16-18
48	151936	Curved Head Bolt 5/16-18 x 2-1/4
49	152074	Rope Stop
50	128686	Height Adjuster Assembly
51	714170	Decal - Rating Plate
52	715011	Hitch Pin #3
53	715037	Nut 1/4-20 Keps
54	715078	Nut 1/4-20 Flange Whizlock
55	715508	Nut 1/4-20 Whizlock
56	715086	Locknut 3/8-16
57	715326	Hex Head Bolt 3/8-16 x 1
58	715607	Washer Belleville
59	715417	Washer 3/8 SAE
60	090613	Setting Lever - Height Adjuster

NOTE: Parts are right or left hand as viewed from operator position.  
 Approximate cutting heights 1-1/8" to 3-1/8".  
 Specifications subject to change without prior notice.

226050