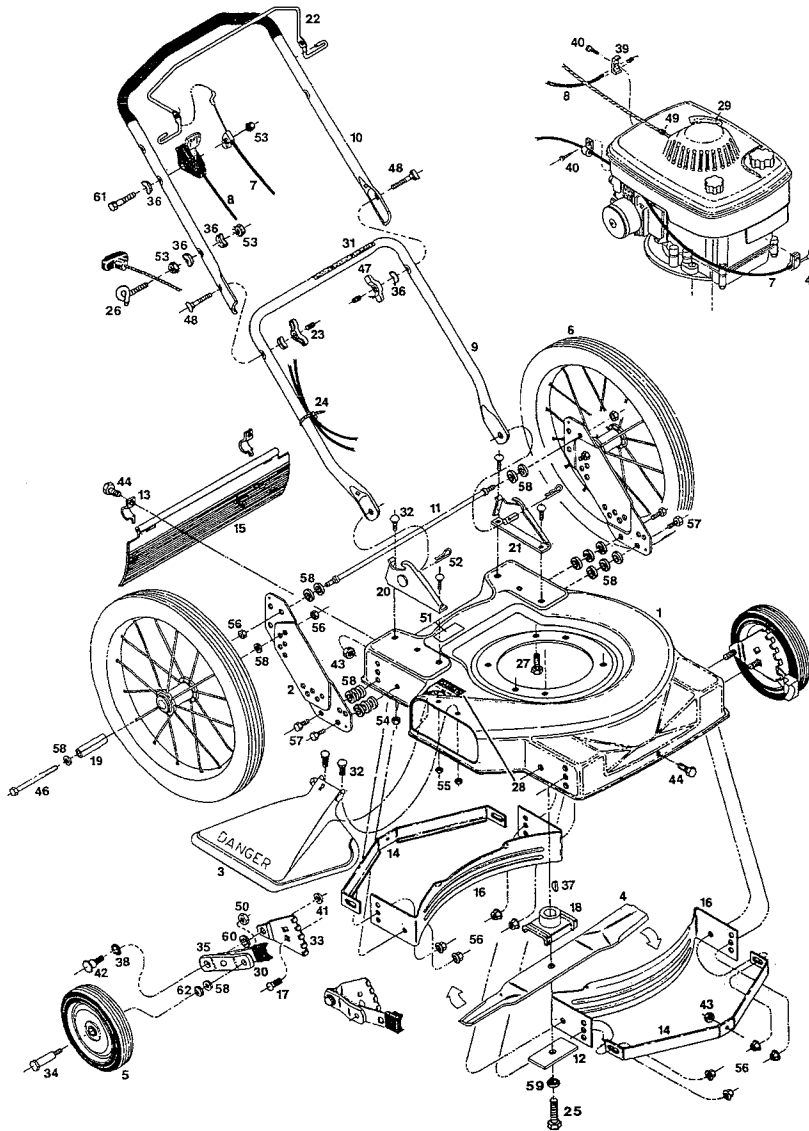




LAWN CHIEF

Model 90 F 22" Rotary Mower Grass Catcher Model GC-12



INDEX

NO.	PART NO.	DESCRIPTION
1	013383	Deck 22"
2	027698	Wheel Bracket - rear
3	013573	Chute Deflector Assembly *
4	030353	Blade - 22"
5	041111	Wheel 8 x 1.75 Steel
6	040410	Wheel 16 x 1.75
7	051466	Control Cable - Engine/Blade*
8	051235	Control - Throttle
9	071563	Handle - Lower
10	071159	Handle - Upper Coated
11	100396	Stablizer Bar
12	106005	Blade Washer
13	106914	Clip - Trailing Shield
14	106997	Deck Stiffener
15	111617	Trailing Shield - Plastic*
16	106625	Baffle - Front & Rear
17	152405	Bolt - Carriage 3/8-16 x 3/4
18	126466	Blade Adapter
19	103424	Spacer - Wheel Sleeve
20	104661	Handle Bracket - Right Hand
21	104679	Handle Bracket - Left Hand
22	109298	Bail - Engine/Blade Control*
23	110064	Bolt Cap- Plastic
24	110379	Cable Tie
25	157255	Blade Bolt
26	152371	Eyebolt - Rope Guide
27	457168	Bolt 3/8-16 x 7/8 TDFM
28	144063	Decal - C.P.S.C. Danger
29	001206	Decal - Blade Warning
30	112540	Plastic Tip - Height Adjuster
31	144899	Decal - Starting Instructions
32	150011	Carriage Bolt 1/4-20 x 5/8
33	090589	Back Plate - Height Adjuster
34	150730	Wheel Bolt - front
35	091033	Arm Assembly - Wheel
36	150201	Curved Washer 5/16
37	150276	Woodruff Key #6
38	152421	Washer-Spring-Height Adjuster
39	150318	Cable Clamp
40	150623	Screw - Casing
41	156182	Washer-Plastic - Height Adjuster
42	156125	Shoulder Bolt - Height Adjuster
43	452318	Nut #10-24 Hex Nylon Insert
44	458687	Bolt Hex 10-24 x 1/2
45	151613	Screw #10-32 x 3/8 SEMS
46	151647	Hex Head Bolt 3/8-16 x 4
47	151795	Wing Nut 5/16-18
48	151936	Curved Head Bolt 5/16-18 x 2-1/4
49	152074	Rope Stop
50	715524	Locknut 3/8-16 Jam
51	714170	Decal - Rating Plate
52	715011	Hitch Pin #3
53	715037	Nut 1/4-20 Keps
54	715078	Nut 1/4-20 Flange Whizlock
55	715508	Nut 1/4-20 Whizlock
56	451492	Nut - 3/8-16 Toplock Flange
57	715326	Hex Head Bolt 3/8-16 x 1
58	715417	Washer 3/8 SAE
59	156919	Lockwasher - 3/8 HD Split
60	156877	Washer - 3/8 Hardened
61	153874	Bolt - 1/4-20x2-1/4 HHCS
62	715607	Washer - 3/8 Bellville

NOTE: Parts are right or left hand as viewed from operator position.
Approximate cutting heights 1-1/8" to 3-1/8".
Specifications subject to change without prior notice.