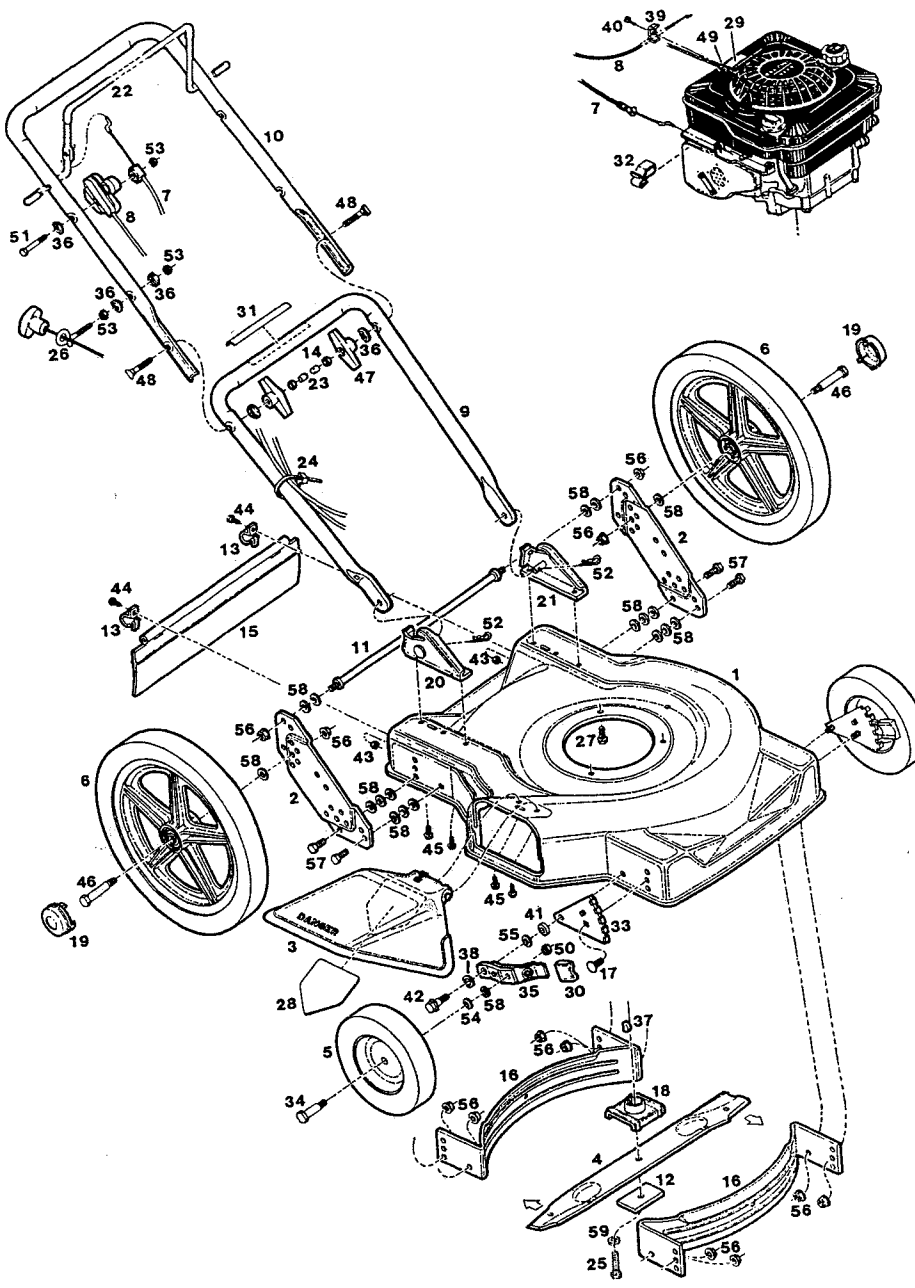


MODEL 90-J
 5.0 HP 22" High Wheel Rotary Mower
 Grass Catcher Model GC-12A
 P/N 161109
 P/N Repl. Bag 161117



NOTE: Parts are right or left hand as viewed from operator position.

INDEX

NO.	PART NO.	DESCRIPTION
1	015396	Deck 22"
2	019125	Wheel Bracket - rear
3	391771	Chute Deflector Assembly
4	030353	Blade - 22"
5	042788	Wheel 8 x 1.75 Steel
6	042770	Wheel 16 x 1.75
7	052209	Control Cable - Engine/Blade
8	052217	Control - Throttle
9	072991	Handle - Lower
10	073007	Handle - Upper
11	100396	Stabilizer Bar
12	106005	Blade Washer
13	106914	Clip - Trailing Shield
14	310045	Nut - 5/16-18
15	112821	Trailing Shield - Plastic
16	106625	Baffle - Front & Rear
17	152405	Bolt - Carriage 3/8-16 x 3/4
18	126466	Blade Adapter
19	113969	Cap - Hub Plastic
20	107086	Handle Bracket - Right Hand
21	107094	Handle Bracket - Left Hand
22	073015	Bail - Engine/Blade Control
23	110064	Bolt Cap- Plastic
24	110379	Cable Tie
25	157255	Blade Bolt
26	152371	Eyebolt - Rope Guide
27	457168	Bolt 3/8-16 x 7/8 TDFM
28	144063	Decal - C.P.S.C. Danger
29	001206	Decal - Blade Warning
30	112540	Plastic Tip - Height Adjuster
31	715557	Decal - Starting Instructions
32	381442	Clamp - Tinnerman
33	091249	Back Plate - Height Adjuster
34	157420	Wheel Bolt - front
35	085019	Arm Assembly - Wheel
36	150201	Curved Washer 5/16
37	150276	Woodruff Key #6
38	152421	Washer-Spring-Height Adjuster
39	157552	Cable Clamp
40	150623	Screw - Casing
41	156182	Washer-Plastic - Height Adjuster
42	156125	Shoulder Bolt - Height Adjuster
43	452318	Nut #10-24 Hex Nylon Insert
44	458687	Bolt Hex 10-24 x 1/2
45	457499	Bolt-1/4-20 x 1/2 Thread Forming
46	381426	Wheel Bolt - Rear
47	113589	Wing Nut 5/16-18
48	151936	Curved Head Bolt 5/16-18 x 2-1/4
49	152074	Rope Stop
50	715524	Locknut 3/8-16 Jam
51	153874	Bolt - 1/4-20 x 2-1/4
52	715011	Hitch Pin #3
53	715037	Nut 1/4-20 Keps
54	715607	Washer - 3/8 Belleville
55	156877	Washer - 3/8 Hardened
56	451492	Nut - 3/8-16 Toplock Flange
57	715326	Hex Head Bolt 3/8-16 x 1
58	715417	Washer 3/8 SAE
59	156919	Lockwasher - 3/8 HD Split