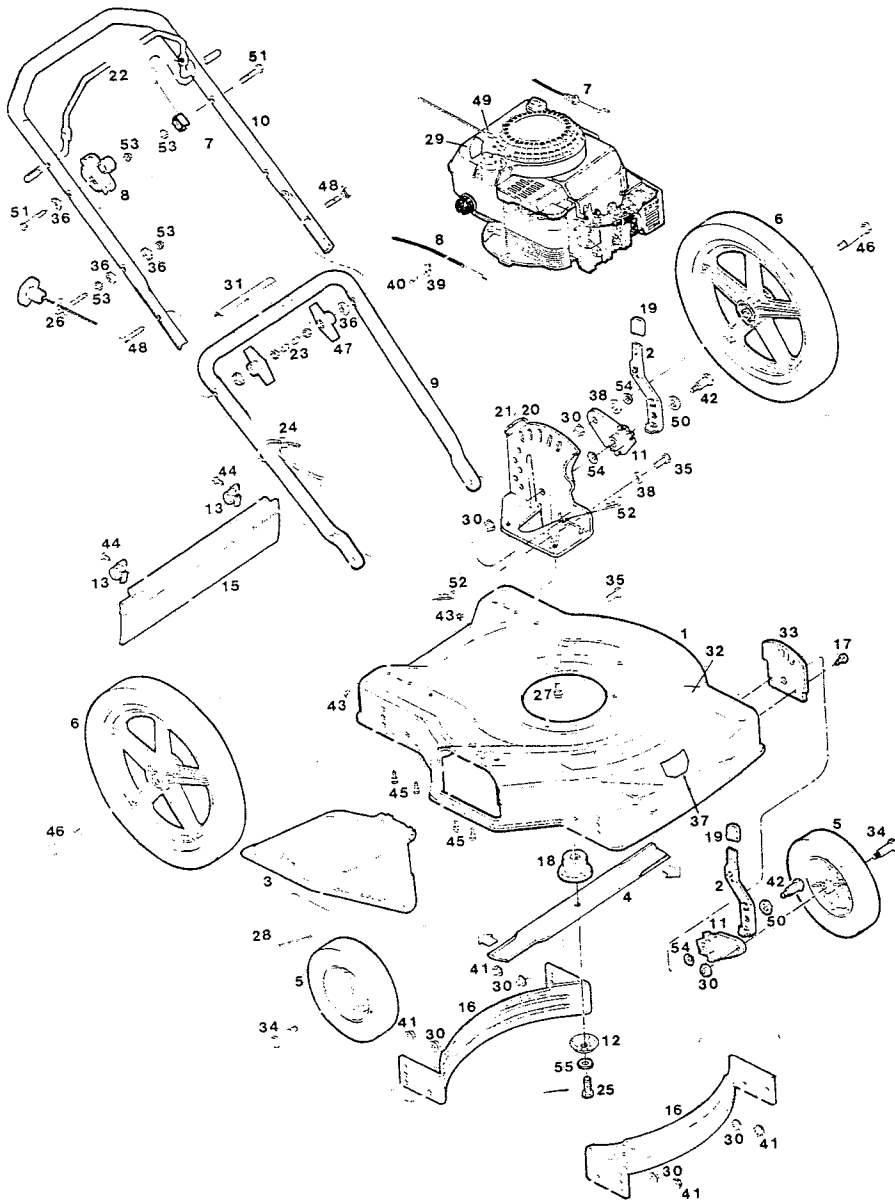


**MODEL 90M**  
**5 hp 22" Cut Side-Discharge High-Wheel Mower**  
**Uses Grass Catcher Model GC12**  
**Grass Catcher P/N 160572**  
**Repl. Bag P/N 161117**



**INDEX**

NO.	PART NO.	DESCRIPTION
1	022749	Deck 22"
2	092817	Lever - Height Adj.
3	391771	Chute Deflector Assembly
4	031385	Blade - 22"
5	043158	Wheel 8 x 1.75 Plastic Diamond
6	043125	Wheel 16 x 1 75
7	052845	Control Cable - Engine/Blade
8	053070	Control - Throttle
9	073445	Handle - Lower
10	073553	Handle - Upper
11	091819	Wheel Arm
12	164681	Washer - Conical
13	106914	Clip - Trailing Shield
14	310045	Nut - 5/16-18
15	114421	Trailing Shield - Plastic
16	088930	Baffle - Front & Rear
17	158907	Bolt - Carriage 5/16-18 x 5/8
18	094933	Blade Adapter
19	114462	Tip - Plastic
20	023028	Handle Bracket - Right Hand - Hgt. Adj
21	023010	Handle Bracket - Left Hand - Hgt. Adj
22	073573	Bail - Engine/Blade Control
23	110064	Bolt Cap - Plastic
24	110379	Cable Tie
25	157255	Blade Bolt
26	152371	Eyebolt - Rope Guide
27	457168	Bolt 3/8-16 x 7/8 TDFM
28	144063	Decal - C.P.S.C. Danger
29	001206	Decal - Blade Warning
30	156406	Nut - 3/8-16 Flange Lock
31	799599	Decal - Starting Instructions
32	798660	Decal - Lawn Chief
33	092775	Back Plate - Height Adjuster
34	166220	Wheel Bolt - front
35	154377	Hex Head Bolt 3/8-16 x 3/4
36	150201	Curved Washer 5/16
37	001453	Decal - 22"
38	158469	Washer - 3/8
39	157552	Cable Clamp
40	150623	Screw - Casing
41	157610	Nut - 5/16-18 Flange Lock
42	164897	Shoulder Bolt - Hgt. Adj.
43	452318	Nut #10-24 Hex Nylon Insert
44	458687	Bolt Hex 10-24 x 1/2
45	164998	Bolt-1/4-20 x 1/2 Thread Forming
46	164582	Wheel Bolt - Rear
47	113589	Wing Nut 5/16-18
48	151936	Curved Head Bolt 5/16-18 x 2-1/4
49	152074	Rope Stop
50	164020	Washer - Hardened
51	150433	Bolt - 1/4-20 x 2
52	715011	Hitch Pin #3
53	715037	Nut 1/4-20 Keps
54	715607	Washer - 3/8 Belleville
55	156877	Washer - 3/8 Hardened

**NOTE:** Parts are right or left hand as viewed from operator position.  
 Specifications subject to change without prior notice.

S/N 239849  
 P/L 082617  
 O/M 082567  
 E/M 082689