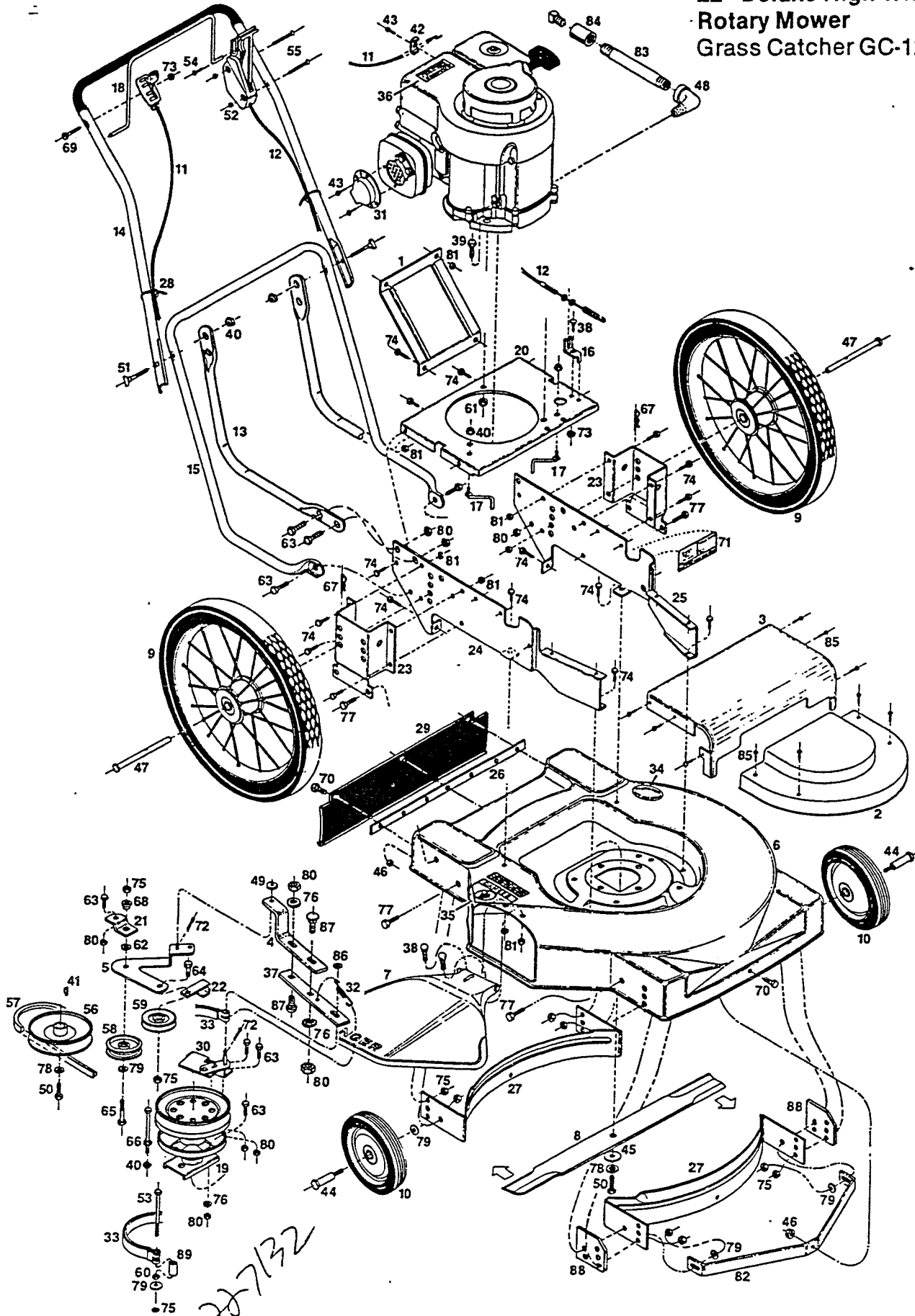


Model 92E
 22" Deluxe High Wheel
 Rotary Mower
 Grass Catcher GC-12



Model 92-E
22" High-Wheel Rotary Mower
Grass Catcher Model GC-12

| Index Part | | Description |
|------------|--------|---------------------------------|
| No. | No. | |
| 1 | 025791 | Cover - Engine Pulley |
| 2 | 025809 | Cover - Front |
| 3 | 025817 | Cover - Rear |
| 4 | 107235 | Connect Link Top |
| 5 | 026997 | Lever - Blade Clutch |
| 6 | 028944 | Deck 22" Hi-Wheel |
| 7 | 028886 | Chute Deflector Assembly* |
| 8 | 030213 | Blade 22" |
| 9 | 040154 | Wheel - 16" Spoked |
| 10 | 041046 | Wheel - 7 x 1.50 Steel |
| 11 | 050146 | Control - Throttle |
| 12 | 050419 | Control - Blade* |
| 13 | 072249 | Handle Support |
| 14 | 071183 | Handle Upper coated |
| 15 | 071878 | Handle - Lower |
| 16 | 101634 | Lower Cable Mounting Bracket |
| 17 | 101717 | Belt Retainer |
| 18 | 109512 | Control - Blade Crossbar* |
| 19 | 104711 | Blade Spindle |
| 20 | 107755 | Engine Mounting Plate |
| 21 | 105148 | Bracket - Clutch Idler |
| 22 | 105155 | Belt Retainer |
| 23 | 105270 | Bracket - Rear Wheel |
| 24 | 107219 | Side Plate - Right Hand |
| 25 | 107227 | Side Plate - Left Hand |
| 26 | 109496 | Trailing Shield Backing Plate* |
| 27 | 106625 | Baffle - Front/Rear |
| 28 | 110379 | Cable Tie |
| 29 | 111633 | Trailing Shield - Plastic* |
| 30 | 125286 | Blade Brake Assembly* |
| 31 | 132142 | Muffler Deflector |
| 32 | 132985 | Spring - Idler Return |
| 33 | 133082 | Brake Band* |
| 34 | 140723 | Decal - Foot Pad |
| 35 | 144063 | Decal - C.P.S.C. Danger |
| 36 | 145078 | Decal - Blade Danger |
| 37 | 107250 | Connect Link Bottom |
| 38 | 150011 | Bolt - Carriage 1/4-20 x 3/4 |
| 39 | 150045 | Bolt - Hex Head 5/16-18 - 1 1/4 |
| 40 | 150136 | Locknut 5/16-18 Keps |
| 41 | 150276 | Woodruff Key #6 |
| 42 | 150318 | Cable Clamp |
| 43 | 150623 | Screw - Sht Metal #10 x 3/4 |
| 44 | 150730 | Wheel Bolt - Front |

| Index Part | | Description |
|------------|--------|---------------------------------|
| No. | No. | |
| 45 | 150763 | Blade Washer |
| 46 | 452318 | Nut 10-24 Hex Nylon Insert |
| 47 | 151019 | Pin - Rear Wheel |
| 48 | 151332 | Elbow 90° x 3/4 Pipe |
| 49 | 151555 | Washer |
| 50 | 151571 | Bolt - Blade |
| 51 | 151928 | Bolt - Curved HD |
| 52 | 151985 | Nut - Hex #10-24 |
| 53 | 152090 | Stud Bolt |
| 54 | 152181 | Retaining Screw - Crossbar |
| 55 | 152298 | Screw - Round HD #10-24 x 2 1/4 |
| 56 | 170431 | Pulley - Engine |
| 57 | 170647 | V-Belt - Blade |
| 58 | 170621 | Idler Pulley - Flat |
| 59 | 305367 | Idler Puller - V-Groove |
| 60 | 715086 | Locknut - 3/4-16 Top |
| 61 | 310151 | Locknut - 5/16-18 Nylock |
| 62 | 311340 | Washer 3/4 Thrust |
| 63 | 312066 | Bolt - Hex Head 5/16-18 x 3/4 |
| 64 | 312272 | Bolt - Hex Head 3/4-16 x 1 1/2 |
| 65 | 312322 | Bolt - Hex Head 3/4-16 x 1 3/4 |
| 66 | 312348 | Bolt - Hex Head 5/16-18 x 4 |
| 67 | 317040 | Hairpin Cotter |
| 68 | 326348 | Spacer - Clutch Idler |
| 69 | 525196 | Bolt - Hex Head 1/2-20 x 1 3/4 |
| 70 | 458687 | Bolt - Hex Head #10-24 x 1/2 |
| 71 | 714170 | Decal - Rating Plate |
| 72 | 715029 | Cotter Pin 3/32 x 3/4 |
| 73 | 715037 | Locknut 1/4-20 Keps |
| 74 | 715052 | Bolt - Hex Head 1/4-20 x 1/2 |
| 75 | 715086 | Locknut 3/4-16 Top |
| 76 | 715185 | Washer - Flat 5/16 |
| 77 | 715201 | Bolt - Hex Head 3/4-16 x 3/4 |
| 78 | 715607 | Washer |
| 79 | 715417 | Washer - Flat 3/4 |
| 80 | 715490 | Locknut - 5/16-18 Top |
| 81 | 715508 | Locknut - 1/4-20 Top |
| 82 | 106997 | Deck Stiffener |
| 83 | 153916 | 3/4 Pipe Nipple x 6" |
| 84 | 153924 | 3/4 Pipe Coupling |
| 85 | 459685 | Screw 10-16 x 3/4 Sheet Metal |
| 86 | 461731 | Washer 3/4 ID x 3/4 OD |
| 87 | 313510 | Bolt 5/16-18 x 3/4 Carriage |
| 88 | 109140 | Plate - Mounting |
| 89 | 467803 | Spacer |

NOTE: PARTS ARE RIGHT OR LEFT HAND AS VIEWED FROM THE OPERATOR POSITION.