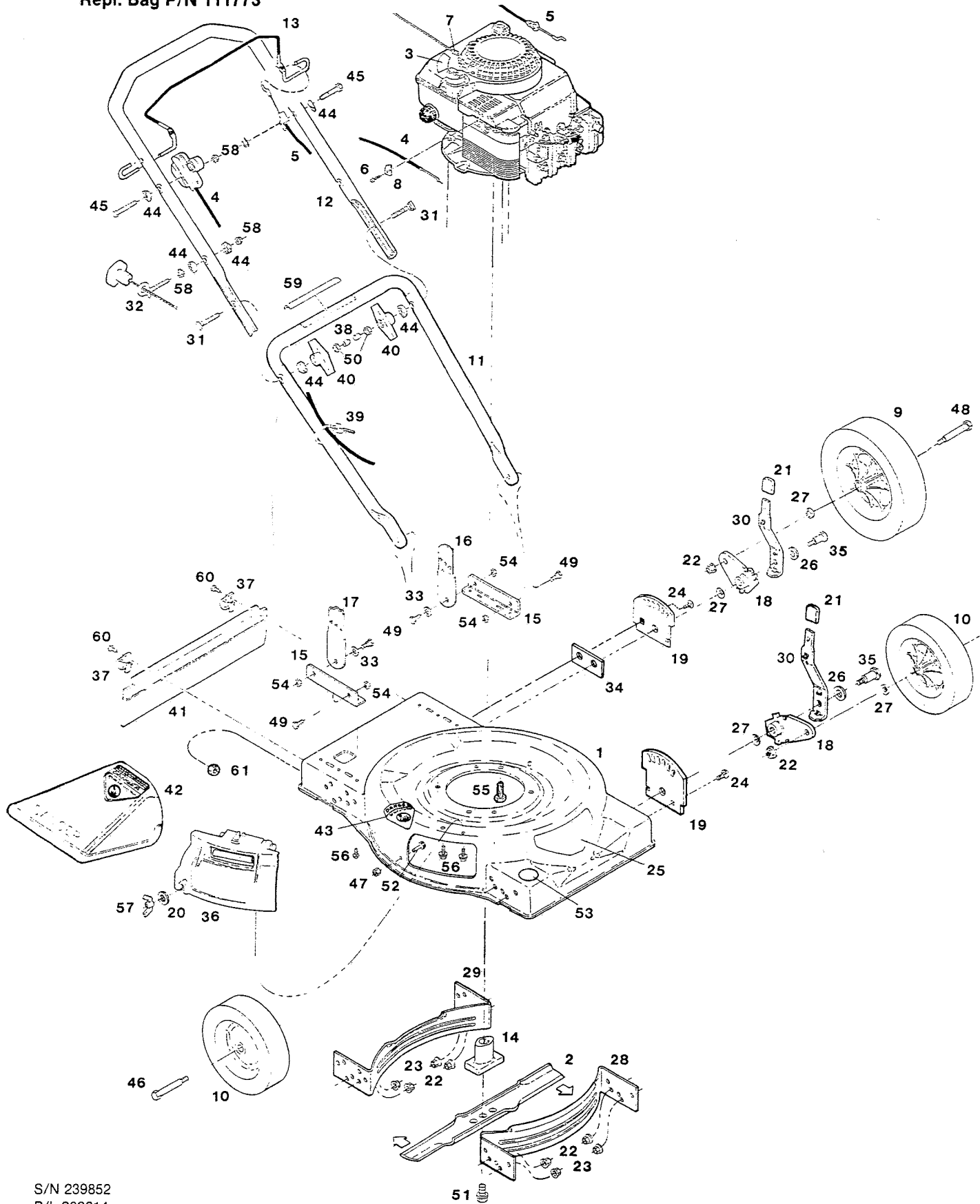


MODEL 94M
5 hp 20" Cut Convertible Mulching Mower
 Uses Grass Catcher Model GC9
 Grass Catcher P/N 161240
 Repl. Bag P/N 111773



S/N 239852
 P/L 082614
 O/M 082567
 E/M 082690

MODEL 94M
5 hp 20" Cut Convertible Mulching Mower
Uses Grass Catcher Model GC9
Grass Catcher P/N 161240
Repl. Bag P/N 111773

INDEX NO.	PART NO.	DESCRIPTION
1	023077	Deck - 20" S.D./Mulch
2	031401	Blade - 20" Mulcher
3	001206	Decal - Blade Warning
4	053070	Control - Throttle w/Cable
5	052845	Control Cable - Engine/Blade
6	150623	Screw - 10-16 x 5/8"
7	152074	Rope Stop
8	157552	Cable Clamp
9	043133	Wheel - 10 x 1.75 - Plastic Diamond
10	043158	Wheel - 8 x 1.50 - Plastic Diamond
11	073403	Handle - Lower
12	073553	Handle - Upper
13	073573	Bail - Engine Blade Control
14	089896	Blade Adapter
15	092718	Handle Bracket - R.H. and L.H.
16	092734	Plate - Height Adj. Hdle. L.H.
17	092759	Plate - Height Adj. Hdle. R.H.
18	091819	Wheel Arm
19	092775	Back Plate - Height Adjuster
20	615690	Washer - Flat
21	114462	Plastic Tip - Height Adjuster
22	156406	Nut - 3/8-16 Flange Lock
23	157610	Nut - 5/16-18 Flange Lock
24	158907	Bolt - Carriage 5/16-18 x 5/8
25	798678	Decal - Lawn Chief
26	164020	Washer - Hardened
27	715607	Washer - Belleville
28	092965	Baffle - Front
29	092973	Baffle - Rear
30	093682	Lever - Setting - Height Adjuster
31	151936	Bolt - Curved Hd. Crg. 5/16-18 x 5/8
32	152371	Eyebolt - Rope Guide
33	583302	Washer - Spring - Height Adjuster
34	115279	Wheel Straightener
35	164897	Shoulder Bolt - Height Lever
36	093922	Mulch Cover Assembly
37	106914	Clip - Trailing Shield
38	110064	Bolt Cap
39	110379	Cable Tie
40	113589	Wing Knob
41	114397	Trailing Shield - Plastic
42	115295	Side Discharge Chute Assembly
43	144063	Decal - Danger
44	150201	Washer - Curved 5/16"
45	150433	Bolt - 1/4-20 x 2 HHCS
46	166620	Shoulder Bolt - Wheel, Front
47	715708	Nut - 1/4-20 Flange Lock
48	166616	Shoulder Bolt - Wheel, Rear
49	164756	Shoulder Bolt - Hdle. Adj.
50	310045	Nut - 5/16-18 Hex
51	380568	Bolt - 3/8-24 x 1-5/8 HHCS Gr. 8
52	155341	Bolt - 1/4-20 x 7/8 Gr. 5
53	799056	Decal - 3 in 1
54	310151	Nut - 5/16-18 Nylock
55	164999	Bolt - 3/8-16 x 7/8 TDFM
56	164998	Bolt - 1/4-20 x 1/2 TDFM, Flange
57	587998	Nut - 1/4-20 Wing Nylock
58	715037	Locknut - 1/4-20 Keps
59	799599	Decal - Starting Instructions
60	458687	Bolt - Hex Head #10-24 x 1/2
61	452318	Nut - #10-24 Hex Nylon Insert

NOTE: PARTS ARE RIGHT OR LEFT HAND AS VIEWED FROM THE OPERATOR POSITION.
 SPECIFICATIONS SUBJECT TO CHANGE WITHOUT PRIOR NOTICE.

S/N 239852
 P/L 082614
 O/M 082567
 E/M 082690