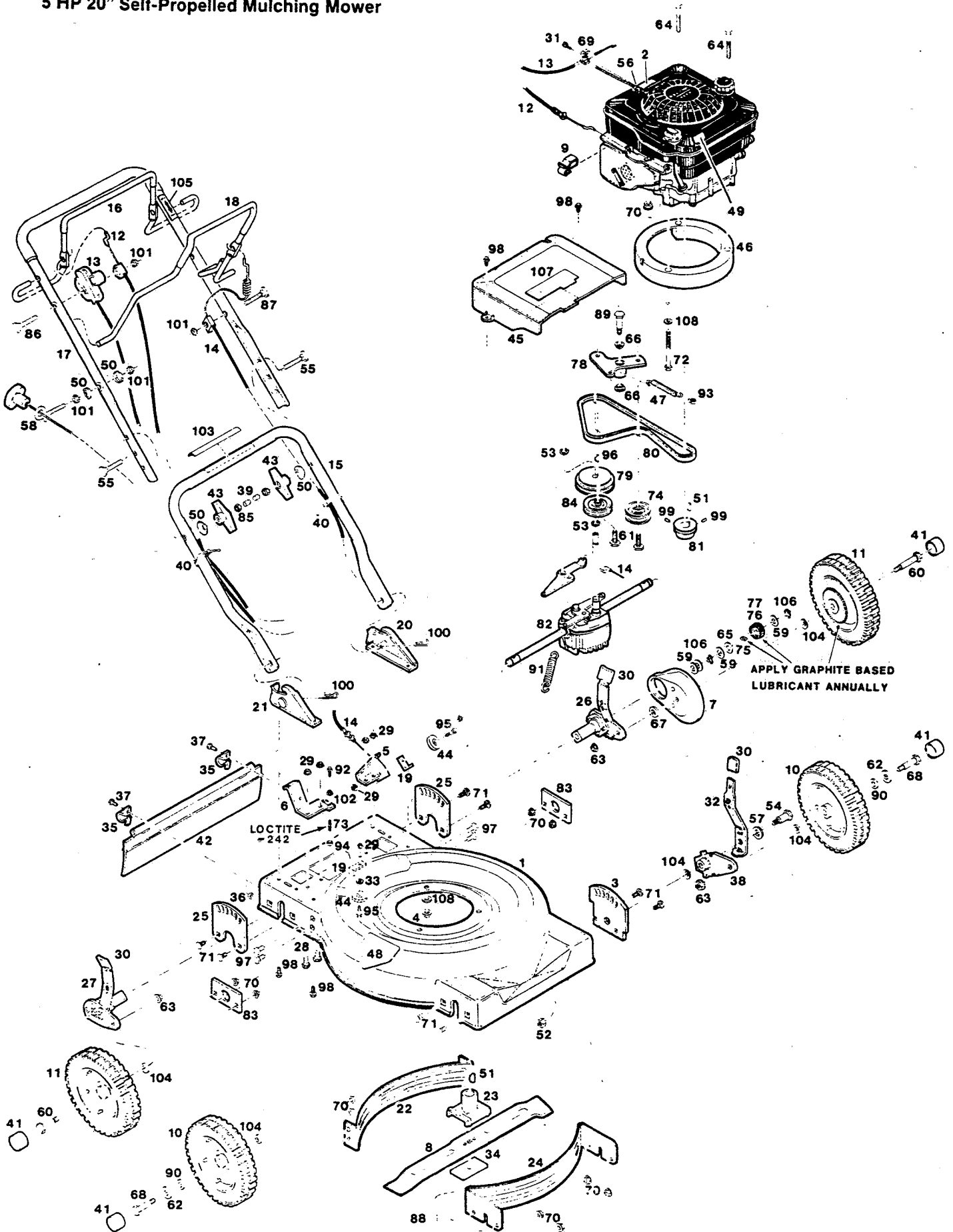


MODEL 95MBK
5 HP 20" Self-Propelled Mulching Mower



MODEL 95MBK
5 HP 20" Self-Propelled Mulching Mower

Index No.	Part No.	Description
1	022186	Deck 20" Mulcher
2	001206	Decal - Warning Blade Rotation
3	091850	Plate - Height Adjuster - Front
4	616342	Nut - 5/16-18 Center Lock
5	088674	Bracket - Pulley Mounting
6	088658	Bracket - Trans Pulley
7	022236	Cover - Drive Wheel
8	030189	Blade - 20" Mulcher
9	381442	Clip - Tinnerman
10	041418	Wheel - Front 8"
11	041442	Wheel - Rear 8" w/Gear
12	052209	Cable - Engine/Blade Control
13	052217	Cable - Throttle Control
14	052522	Cable - Drive Engagement
15	072991	Handle - Lower
16	073015	Bail - Engine/Blade Control
17	073205	Handle - Upper
18	022772	Bail - Ground Drive
19	096305	Bracket Cable Retainer
20	088435	Bracket - Handle LH
21	088427	Bracket - Handle RH
22	087080	Baffle - Rear
23	089888	Blade Adapter
24	087288	Baffle - Front
25	088815	Plate - Height Adjuster - Rear
26	089987	Wheel Arm Assembly L.H. Rear
27	089979	Wheel Arm Assembly R.H. Rear
28	457044	Bolt - 1/4-20 x 1/2
29	715078	Nut - 1/4-20 Flange Lock
30	114462	Tip - Plastic
31	150623	Screw - Hex Slotted #10 x 5/8
32	091835	Lever Height Adjuster - Front
33	158956	Washer - 1/4
34	106005	Washer - Blade
35	106914	Clip - Trailing Shield
36	452318	Nut - #10-24 Hex Nylon Insert
37	458687	Bolt - #10-24 x 1/2
38	091819	Wheel Arm - Front
39	110064	Cap - Plastic Bolt
40	110379	Cable Tie
41	112045	Cap - Hub
42	114421	Trailing Shield - Plastic
43	113589	Knob - Handle
44	112177	Pulley - Drive Cable
45	114108	Cover - Transmission
46	114132	Spacer - Engine
47	135665	Spring - Extension
48	143115	Decal - Warning CPSC
49	148411	Decal - Warning Oil Overfill
50	150201	Washer - Curved 5/16
51	150276	Woodruff Key #6
52	715441	Nut - 3/8-16 Twin Whiz
53	151282	Ring - Transmission - Top
54	163972	Bolt - Shoulder

Index No.	Part No.	Description
55	151936	Bolt - Curved Head 5/16-18 x 2-1/4
56	152074	Rope Stop
57	164020	Washer - Hardened
58	152371	Rope Guide
59	152553	Washer - Thrust 1/2
60	154328	Bolt - Wheel, Rear
61	154369	Bolt - 3/8-16 x 1-1/4 Shaved Head
62	156075	Washer - Flat 1/2
63	156406	Nut - Hex 3/8-16 Flange
64	156463	Bolt - Hex 5/16-18 x 2-3/4 Gr. 5
65	156638	Washer - Flat 1/2
66	156653	Bearing - Flange Nylon
67	158469	Washer - 3/8
68	157420	Bolt - Wheel, Front
69	157552	Clamp - Cable
70	157610	Locknut - Flange 5/16-18
71	158907	Bolt - Carriage 5/16-18 x 5/8
72	163964	Bolt - 5/16-18 x 4 Gr. 5
73	163840	Stud - Short
74	170621	Pulley - Idler, Flat
75	171041	Dog - Drive
76	171058	Gear - Drive RH
77	171066	Gear - Drive LH
78	171496	Arm - Idler
79	171819	Pulley - 2 Speed
80	171652	V-Belt
81	171660	Sheave - Engine
82	171751	Transmission Assembly
83	179176	Support - Wheel Hub
84	305367	Pulley - Idler V-Groove
85	310045	Nut - 5/16-18
86	380550	Bolt - Curved Head 1/4-20 x 2-1/4
87	150029	Bolt - Curved Head 1/4 x 1-1/2
88	381624	Bolt - Blade 3/8-24 x 2 Gr. 8
89	381665	Bolt - Shoulder
90	156620	Washer 1/2 x 1
91	381780	Spring - Transmission Return
92	150326	Screw - #10-24 x 1/2 Hex Slot Head
93	381889	Clip - "U" Tinnerman
94	382150	Spacer
95	158683	Bolt - Shoulder 1/4-20
96	446450	Key - Woodruff
97	159780	Bolt - Hex 5/16-18 x 5/8 Flange
98	457499	Bolt - 1/4-20 x 1/2 Thread Forming
99	315093	Screw Set - 5/16-18 x 1/4
100	715011	Hairpin Cotter
101	715037	Nut - 1/4-20 Keps
102	715334	Nut - #10-24 Keps
103	715557	Decal - Starting Instructions
104	715607	Washer - Belleville
105	794412	Decal - Drive Control
106	153940	Ring - Transmission - Axle
107	794974	Decal - Heat Reflector
108	158212	Washer - 5/16

- This parts list covers several different mower models, not all of the parts listed may be used on the particular model you are working with.
- When servicing use only **Genuine Factory Replacement Parts (OEM)** that are specifically designed for the particular model that you are working with.
- Parts are right or left hand as viewed from the operator's position.
- Model specifications are subject to change without prior notice.
- **Do not operate** the mower unless all parts are attached and in good working order.
- Lawn mower deck and/or other painted parts differing in color may be substituted without notice.