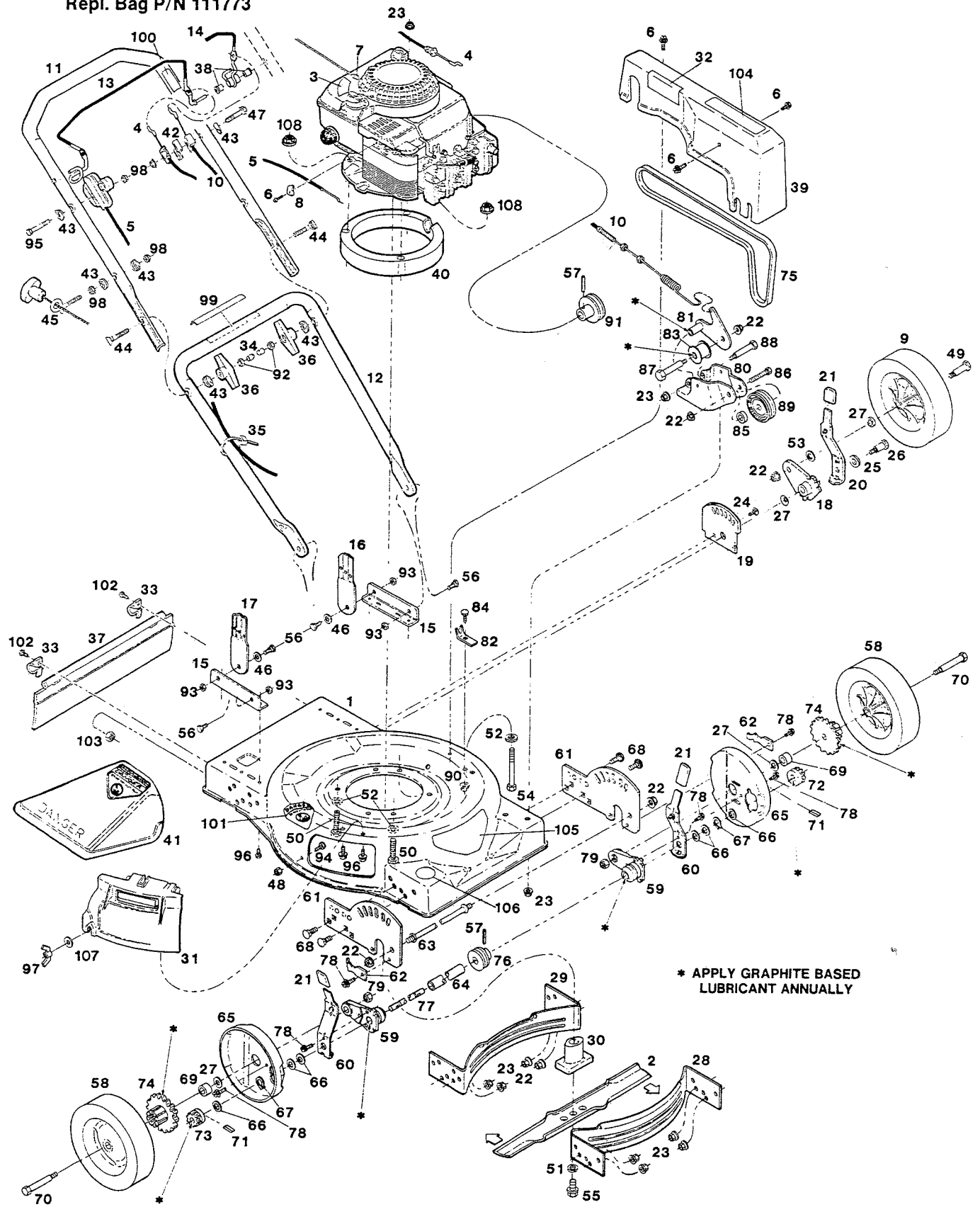


MODEL 96M
5 hp 20" Cut Self-Propelled Convertible Mulching Mower
 Uses Grass Catcher Model GC9
 Grass Catcher P/N 161240
 Repl. Bag P/N 111773



S/N 239853
 P/L 082615
 O/M 789512
 E/M 082689

MODEL 96M
5 hp 20" Cut Self-Propelled Convertible Mulching Mower
Uses Grass Catcher Model GC9
Grass Catcher P/N 161240
Repl. Bag P/N 111773

INDEX NO.	PART NO.	DESCRIPTION	INDEX NO.	PART NO.	DESCRIPTION
1	023226	Deck 20" S.D./S.P.Mulch	54	163964	Bolt - 5/16-18 x 4 HHCS Gr. 5
2	031401	Blade 20" Mulcher	55	164533	Bolt 3/8-24 x 2-1/2 HHCS Gr. 8
3	001206	Decal - Blade Warning	56	164756	Shoulder Bolt - Handle Bracket
4	052936	Control Cable - Engine/Blade	57	166603	Pin - 3/16 x 1 Spiral
5	053068	Control - Throttle w/Cable	58	043166	Wheel - 8" x 1-3/4 Plas. Dia., Front
6	150623	Screw - #10-16 x 5/8 tap	59	093310	Wheel Arm - Front
7	152074	Rope Stop	60	095320	Lever - Setting Hgt. Adjust. - Front
8	157552	Cable Clamp	61	093468	Back Plate - Hgt. Adjust. - Front
9	043166	Wheel - 8" x 1-3/4 Plas. Dia. Rear	62	093542	Pinion Bracket
10	052886	Cable - Drive Engagement	63	095085	Rod Support
11	073411	Handle - Upper	64	114728	Axle Sleeve - Plas.
12	073460	Handle - Lower	65	115450	Dust Cover - Wheel
13	073478	Bail - Engine Blade	66	152553	Washer - 1/2 Flat
14	092593	Bail - Ground Drive	67	153940	E-Ring
15	092718	Handle Bracket - R.H. and L.H.	68	154088	Bolt - Carriage 5/16-18 x 1/2
16	092734	Plate - Height Adj. Hdle. L.H.	69	164889	Spacer - Wheel
17	092759	Plate - Height Adj. Hdle. R.H.	70	164973	Shoulder Bolt - Wheel - Front
18	091819	Wheel Arm - Rear	71	171041	Drive Pawl
19	092775	Back Plate - Height Adjuster - Rear	72	093369	Pinion - Ratchet L.H.
20	092817	Lever - Setting Hgt. Adjust. - Rear	73	093351	Pinion - Ratchet R.H.
21	114462	Plastic Tip - Height Adjuster	74	171942	Gear - Wheel Drive
22	156406	Nut - 3/8-16 Flange Lock	75	171983	V-belt 3L
23	157610	Nut - 5/16-18 Flange Lock	76	174649	Pulley - 1-3/4, 3L
24	158907	Bolt - Carriage 5/16-18 x 5/8	77	173179	Drive Shaft
25	164020	Washer - Hardened	78	457192	Screw - #10-32 x 1/2 Tap
26	164897	Shoulder Bolt - Height Lever, Rear	79	715391	Nut - 3/8-16 Hex
27	715607	Washer - Belleville	80	093484	Idler Bracket
28	092965	Baffle - Front	81	093526	Idler Arm
29	092973	Baffle - Rear	82	093575	Cable Mount Bracket
30	093443	Blade Adapter	83	113977	Idler Pulley
31	093922	Mulch Cover Assembly	84	150011	Bolt - Carriage 1/4-20 x 5/8
32	094029	Decal - Heat Reflector	85	152686	Spacer - Idler
33	106914	Clip - Trailing Shield	86	159046	Bolt - 3/8-16 x 1-3/4 HHCS
34	110064	Bolt Cap	87	164798	Shoulder Bolt 3/8-16 x 1/2 x 1-3/8
35	110379	Cable Tie	88	164806	Shoulder Bolt 5/16-18 x 3/8 x 1-3/4
36	113589	Wing Knob	89	173484	Pulley - 2-1/2, 3L
37	114397	Trailing Shield - Plastic	90	715078	Nut - 1/4-20 Lock
38	588463	Bearing - nylon	91	174607	Pulley - 2-1/8, 3L
39	115246	Belt Cover	92	310045	Nut - 5/16-18 Hex
40	115261	Spacer - Engine	93	310151	Nut - 5/16-18 Nylon Insert
41	115295	Side Discharge Chute Assembly	94	166631	Screw - 1/4-20 x 7/8
42	115337	Spacer - Cable Mount	95	150433	Bolt - 1/4-20 x 2 HHCS
43	150201	Washer - Curved 5/16"	96	164998	Screw - 1/4-20 x 1/2 Tap
44	151936	Bolt - Curved Hd. Crg. 5/16-18 x 5/8	97	587998	Wing Nut
45	152371	Eyebolt - Rope Guide	98	715037	Nut - 1/4-20 Keps
46	583302	Washer - Spring - Height Adjuster	99	799599	Decal - Starting Instructions
47	153874	Bolt - 1/4-20 x 2-1/4 HHCS	100	794412	Decal - Drive Control
48	155242	Nut - 1/4-20 Jam	101	144063	Deca - Warning CPSC
49	166610	Shoulder Bolt - Wheel Rear	102	458687	Bolt - #10-24 x 1/2 HHCS
50	156463	Bolt - 5/16-18 x 2-3/4 HHCS Gr. 5	103	452318	Nut - #10-24 Hex Nylon Insert
51	156919	Washer - 3/8 Lock	104	798504	Decal - Belt Cover
52	158212	Washer - 5/16 Flat	105	799823	Decal - Lawn Chief
53	158469	Washer - 3/8 Flat	106	799056	Decal - 3 in 1
			107	615690	Washer - 1/4 Flat
			108	157610	Nut - 5/16-18 Flange Lock

NOTE: PARTS ARE RIGHT OR LEFT HAND AS VIEWED FROM THE OPERATOR POSITION.
 SPECIFICATIONS SUBJECT TO CHANGE WITHOUT PRIOR NOTICE.