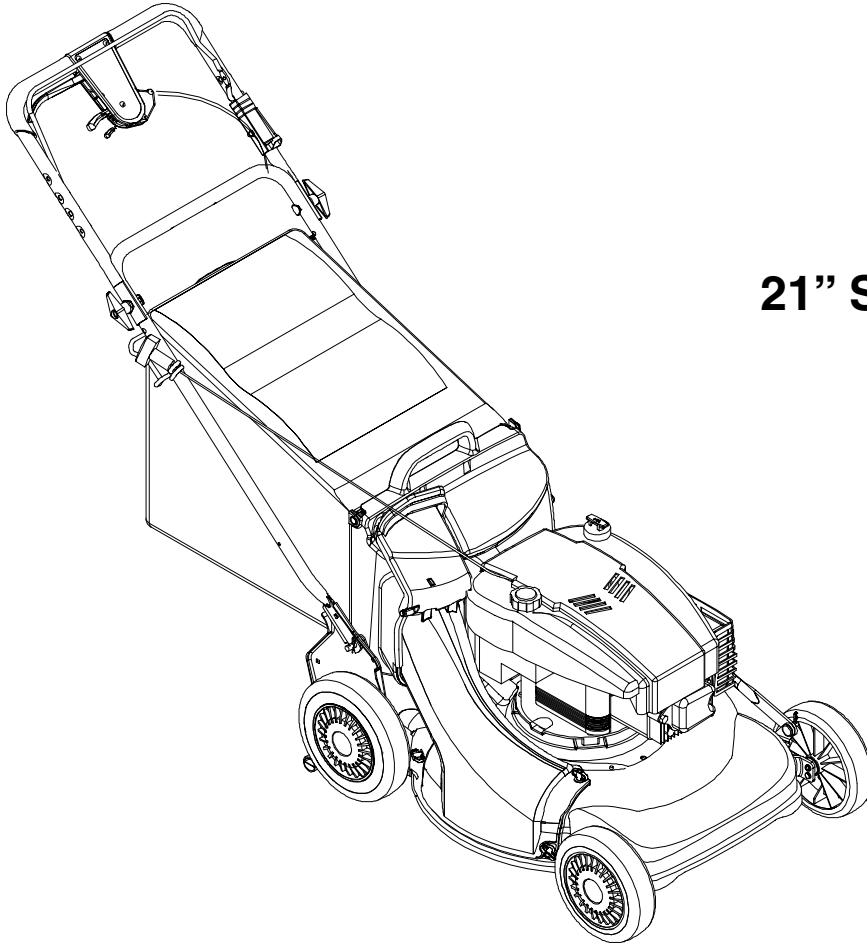




Illustrated Parts List



21" Self-Propelled Mower

Model 979

IMPORTANT: Read safety rules and instructions carefully before operating equipment.

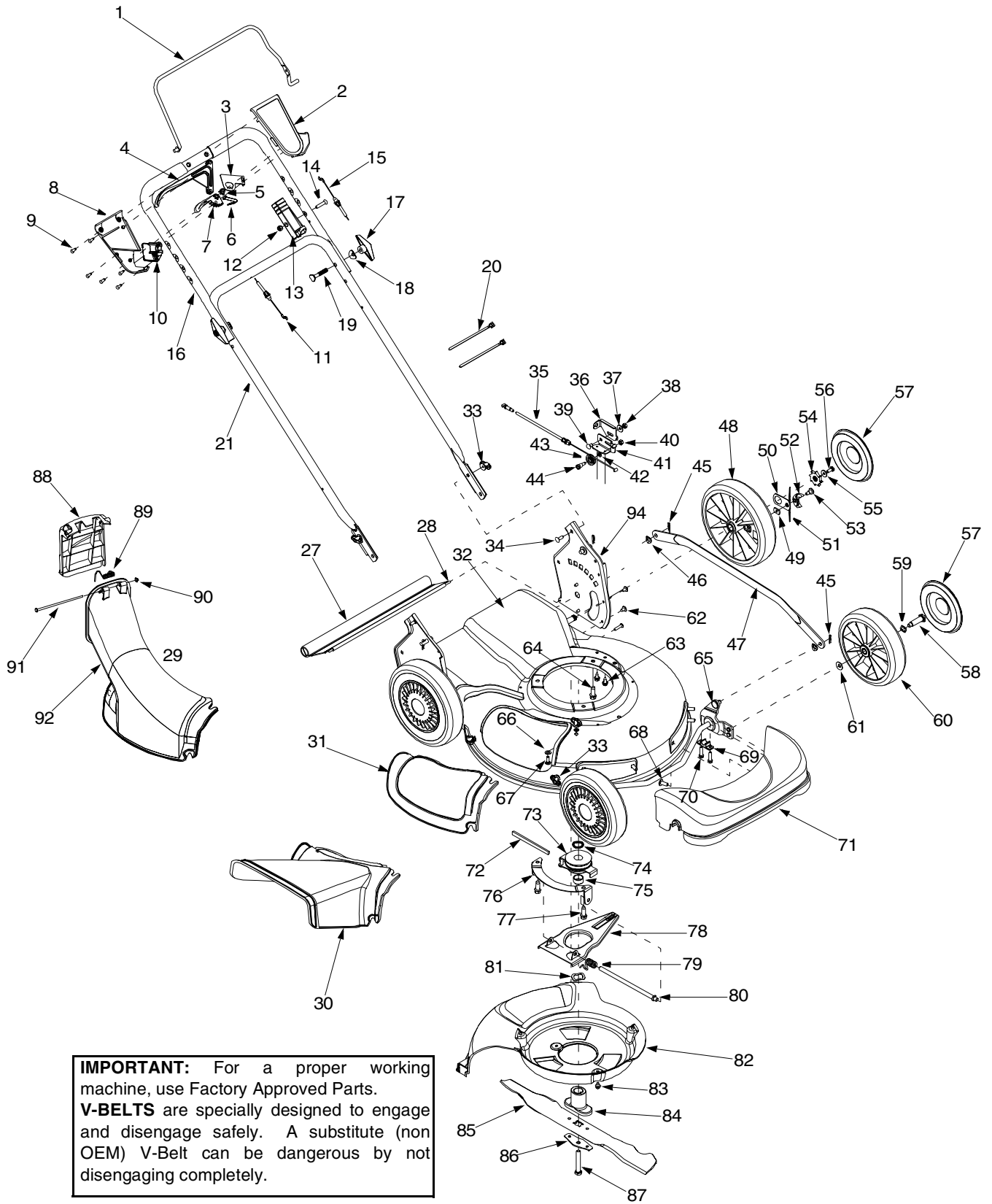
Warning: This unit is equipped with an internal combustion engine and should not be used on or near any unimproved forest-covered, brush-covered or grass-covered land unless the engine's exhaust system is equipped with a spark arrester meeting applicable local or state laws (if any). If a spark arrester is used, it should be maintained in effective working order by the operator. In the State of California the above is required by law (Section 4442 of the California Public Resources Code). Other states may have similar laws. Federal laws apply on federal lands. A spark arrester for the muffler is available through your nearest engine authorized service dealer or contact the service department, P.O. Box 361131 Cleveland, Ohio 44136-0019.

MTD LLC, P.O. BOX 361131 CLEVELAND, OHIO 44136-0019

PRINTED IN U.S.A.

Form No.770-10075D
(10/2002)

SECTION 11: PARTS LIST FOR MODEL 979L

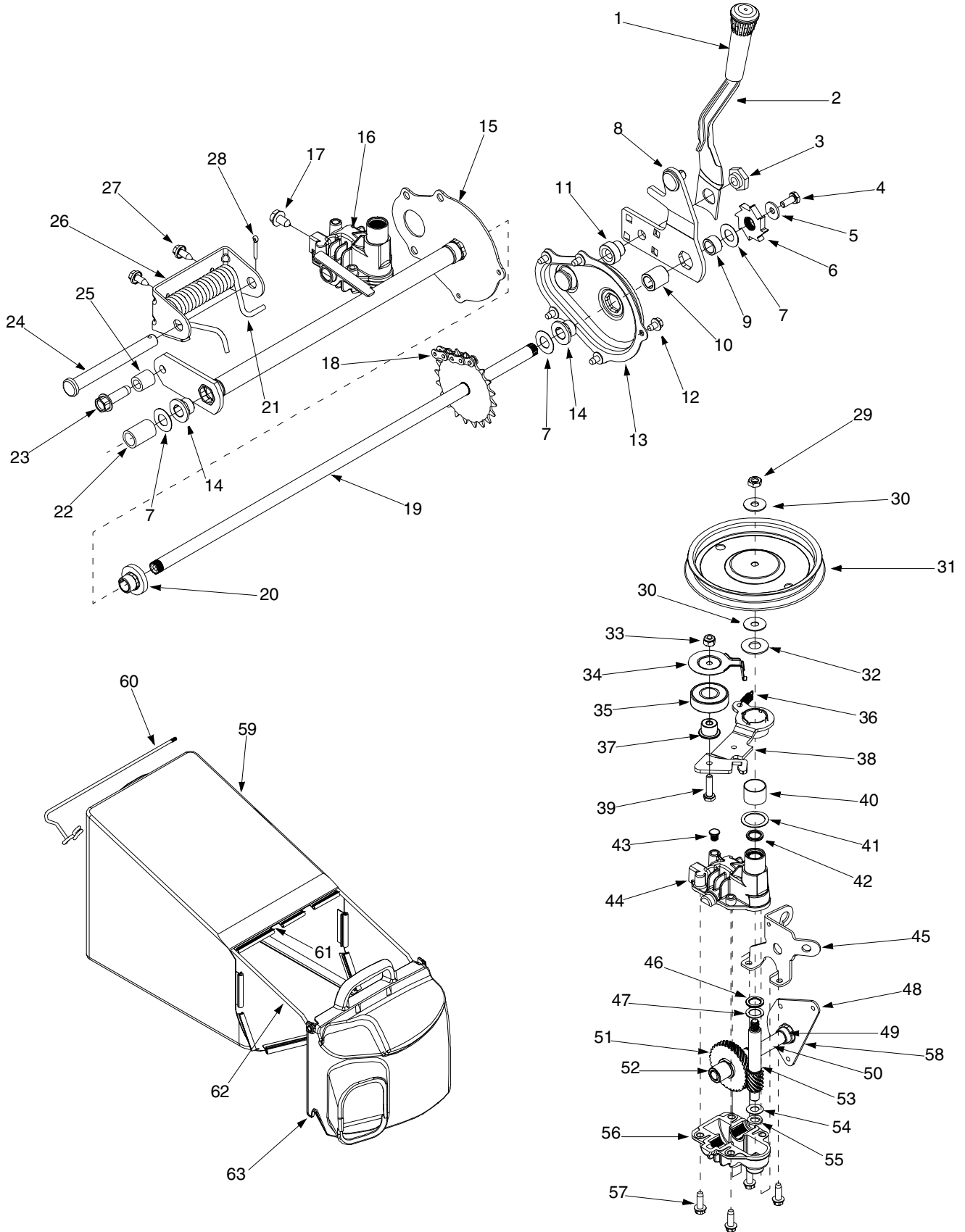


IMPORTANT: For a proper working machine, use Factory Approved Parts. **V-BELTS** are specially designed to engage and disengage safely. A substitute (non OEM) V-Belt can be dangerous by not disengaging completely.

Model 979L

| Ref. No. | Part No. | Description | Ref. No. | Part No. | Description |
|----------|-----------|---------------------------------|--|-----------|---------------------------------|
| 1. | 647-0004 | Control Handle | 54. | 748-0318 | Wheel Ratchet |
| 2. | 731-0904A | Upper Control Housing | 55. | 736-0270 | Bell Washer .265 ID x .75 OD |
| 3. | 16864 | 6 Spd. Rack Cable Bracket | 56. | 710-0751 | Hex Cap Screw 1/4-20 x .620 |
| 4. | 731-0620 | Control Lever | 57. | 731-1426 | Hubcap |
| 5. | 713-0397 | Gear Insert | 58. | 738-0102 | Shoulder Screw .498 x 1.445 |
| 6. | 732-0627 | Shift Lever Spring | 59. | 736-0504 | Wave Washer .510 ID x .750 OD |
| 7. | 731-0924 | 6 Speed Shift Lever | 60. | 734-2004A | Wheel 8 x 2.125 |
| 8. | 731-0905A | Lower Control Housing | 61. | 736-0105 | Spring Washer .401 ID x .870 OD |
| 9. | 710-1667A | C Sunk Tap Screw #10 x .75 Lg | 62. | 710-1348 | Screw 1/4-14 x .500 |
| 10. | 731-0906 | Cable Mounting Cap | 63. | 710-0896 | Screw 1/4-14 x .625 |
| 11. | 746-0711A | Drive Cable 51.0 | 64. | 710-0654A | Hex Washer Screw 3/8-16 x 1.0 |
| 12. | 712-0324 | Top Lock Nut 1/4-20 | 65. | 611-0064 | Front Axle Assembly |
| 13. | 746-0883 | Control Housing | 66. | 736-0204 | Flat Washer .344 ID x .62 OD |
| 14. | 710-1270 | Oval C-Sunk Screw | 67. | 710-0703 | Carriage Screw 1/4-20 x .75 |
| 15. | 746-1131 | Control Cable 46" | 68. | 710-1242 | Torx Screw |
| 16. | 749-0439D | Upper Handle | 69. | 741-0492A | Block Bushing |
| 17. | 720-0284 | Wing Nut | 70. | 710-1241 | Hex Washer Screw |
| 18. | 736-0451 | Saddle Washer .320 ID x .830 OD | 71. | 731-1829 | Front Axle Cover |
| 19. | 710-1174 | Carriage Bolt 5/16-18 x 2.0 | 72. | 754-0460 | Belt 3/8 x 39.24 |
| 20. | 726-0240 | Cable Tie | 73. | 656-0613 | Pulley Assembly |
| 21. | 749-0907B | Lower Handle | 74. | 750-1071 | Sleeve Spacer .88 ID x 1.13 OD |
| 27. | 731-1901 | Trail Shield | 75. | 750-1070 | Sleeve Spacer .88 ID x 1.00 OD |
| 28. | 732-0842 | Trail Shield Wire | 76. | 782-7597 | Pivot Bracket |
| 29. | 631-0066 | Chute Assembly | 77. | 710-0654A | Screw 3/8-18 x 1.0 |
| 30. | 731-1832 | Side Discharge Chute | 78. | 782-7596 | Control Arm |
| 31. | 731-1833 | Mulch Cover | 79. | 732-0807 | Torsion Spring |
| 32. | 782-0046B | Deck 21" | 80. | 711-1114 | Pivot Shaft |
| 33. | 712-0397 | Wing Nut | 81. | 736-0526 | Wave Washer 1.38 ID x .88 OD |
| 34. | 710-0703 | Carriage Bolt 1/4-20 x .75 | 82. | 731-1828 | Baffle |
| 35. | 746-0939 | 6 Speed Cable | 83. | 710-0653 | Screw 1/4-20 x 3.75 |
| 36. | 782-7574A | Cable Adjustment Bracket | 84. | 753-0609 | Blade Adapter Kit |
| 37. | 736-0270 | Bell Washer .265 ID x .75 OD | 85. | 742-0741 | 21" Mulching Blade |
| 38. | 712-0287 | Hex Nut 1/4-20 | 86. | 736-0524A | Blade Bell Support |
| 39. | 710-0167 | Carriage Screw 1/4-20 x .50 | 87. | 710-1257 | Hex Bolt 3/8-24 x 2.5 |
| 40. | 712-0138 | Hex Nut 1/4-28 | 88. | 731-1874 | Chute Door |
| 41. | 782-7575A | Cable Mounting Bracket | 89. | 732-0819 | Torsion Spring |
| 42. | 736-0329 | Lock Washer 1/4 | 90. | 726-0111 | Push Cap |
| 43. | 756-0625 | Roller Cable | 91. | 747-0965 | Pivot Rod |
| 44. | 738-0924 | Shoulder Screw .375 ID x 1/4-14 | 92. | 731-1713B | Discharge Chute |
| 45. | 714-0104 | Cotter Pin | 94. | 682-3052 | Handle Bracket Assembly - RH |
| 46. | 736-0286 | Bowed Washer | | 682-3053 | Handle Bracket Assembly - LH |
| 47. | 782-0565 | Single Lever Control Arm | 95. | 682-7527 | Cup Assembly(Part of #73) |
| 48. | 734-2044 | Wheel 9 x 2.125 | <p>NOTE: For painted parts, please refer to the list of color codes below. Please add the applicable color code, wherever needed, to the part number to order a replacement part. For instance, if a part numbered 700-xxxx is painted Yard-Man Green, the part number to order would be 700-xxxx-0665.</p> <p>Yard-Man Green: 0665; Yard-Man Yellow: 0674; Powder Black: 0637</p> | | |
| 49. | 712-0414 | Top Lock Tab Weld Nut 1/4-20 | | | |
| 50. | 16855 | Ratchet Pawl Plate | | | |
| 51. | 10622B | Plastic Spring Ratchet | | | |
| 52. | 748-0381 | Pawl RH | | | |
| | 748-0188B | Pawl LH | | | |
| 53. | 738-0137A | Shld Screw .340 ID x .285 OD | | | |

Model 979L



Model 979L

| Ref. No. | Part No. | Part Description | Ref. No. | Part No. | Part Description |
|----------|-----------|----------------------------------|----------|-----------|--------------------------------|
| 1. | 720-0223 | Grip | 33. | 712-0896 | Hex Jam Nut 1/4-28 |
| 2. | 732-0803A | Spring Lever | 34. | 782-7598 | Belt Keeper |
| 3. | 738-0529 | Shoulder Nut .825 x .165 Lg. | 35. | 741-0600 | Bearing |
| 4. | 710-0751 | Cap Screw 1/4-20 x .620 | 36. | 732-0849A | Extension Spring |
| 5. | 736-0270 | Bell Washer .285 ID x .75 OD | 37. | 750-1050 | Flange Spacer |
| 6. | 748-0318 | Wheel Ratchet | 38. | 682-0027A | Idler Bracket Assembly |
| 7. | 736-0369 | Flat Washer .508 ID x 1.0 OD | 39. | 710-0299 | Hex Cap Screw 1/4-28 x 1.0 |
| 8. | 682-0531 | Pivot Arm Assembly | 40. | 741-0682A | Bearing Sleeve |
| 9. | 750-0515 | Spacer .510 ID x .70 OD | 41. | 736-0570 | Flat Washer .885 ID x 1.45 OD |
| 10. | 741-0978 | Sleeve Bearing .504 ID x .830 OD | 42. | 721-0329 | Oil Seal |
| 11. | 750-1056 | Shoulder | 43. | 721-0325 | Plug |
| 12. | 710-0653 | Tap Screw 1/4-20 x .375 | 44. | 618-0253 | Upper Housing Assembly |
| 13. | 682-7528 | Chain Cover Assembly | 45. | 782-7601A | Cable Bracket |
| 14. | 741-0324 | Flange Bearing .506 ID x .590 Lg | 46. | 741-0690 | Bearing |
| 15. | 682-7526 | Transmission Axle Assembly | 47. | 736-0616 | Thrust Washer .504 ID x .70 OD |
| 16. | 618-0263A | Transmission Assembly Complete | 48. | 782-7595 | Pivot Bracket |
| 17. | 710-0604A | Hex Screw 5/16-18 | 49. | 741-0324 | Flange Bearing |
| 18. | 713-0453 | Chain | 50. | 711-1168 | Output Shaft 6T |
| 19. | 638-0012 | Rear Axle Assembly | 51. | 717-1469 | Gear 34T |
| 20. | 741-0522 | Flange Bearing .506 ID x .715 Lg | 52. | 741-0674 | Bearing |
| 21. | 732-0832 | Torsion Spring | 53. | 717-1487 | Pinion Shaft 10T |
| 22. | 750-0151 | Spacer .550 ID x .750 OD | 54. | 736-0314 | Thrust Washer 3/8 x .70 |
| 23. | 710-1315 | Screw 3/8-16 x .25 | 55. | 736-0569 | Thrust Washer .388 x .625 |
| 24. | 711-0835 | Clevis Pin .50 Dia x 4.82 Lg. | 56. | 618-0252 | Lower Housing Assembly |
| 25. | 750-0807 | Spacer .385 ID x .624 OD | 57. | 710-0642 | Hex Screw 1/2-20 x .75 |
| 26. | 782-0568 | Hgt Adjustment Spring Bracket | 58. | 611-0066 | Shaft Assembly |
| 27. | 710-1652 | Screw 1/4-14 x .825 | 59. | 664-0074 | Grassbag |
| 28. | 714-0474 | Cotter Pin | 60. | 747-0940A | Support Rod w/ Rope Guide |
| 29. | 712-3025 | Hex Jam Nut 5/16-24 | 61. | 747-0939 | Pivot Rod |
| 30. | 736-0425 | Bell Washer .325 ID x .930 OD | 62. | 747-0937 | Grassbag Frame |
| 31. | 756-0656 | Pulley | 63. | 631-0071 | Grassbag Cover |
| 32. | 736-3084 | Flat Washer .510 ID x 1.120 OD | | | |

NOTE: For **painted parts**, please refer to the list of color codes below. Please add the applicable color code, wherever needed, to the part number to order a replacement part. For instance, if a part numbered 700-xxxx is painted Yard-Man Green, the part number to order would be 700-xxxx-0665.

Yard-Man Green: 0665; Yard-Man Yellow: 0674

Powder Black: 0637

Safety & Decorative Labels

