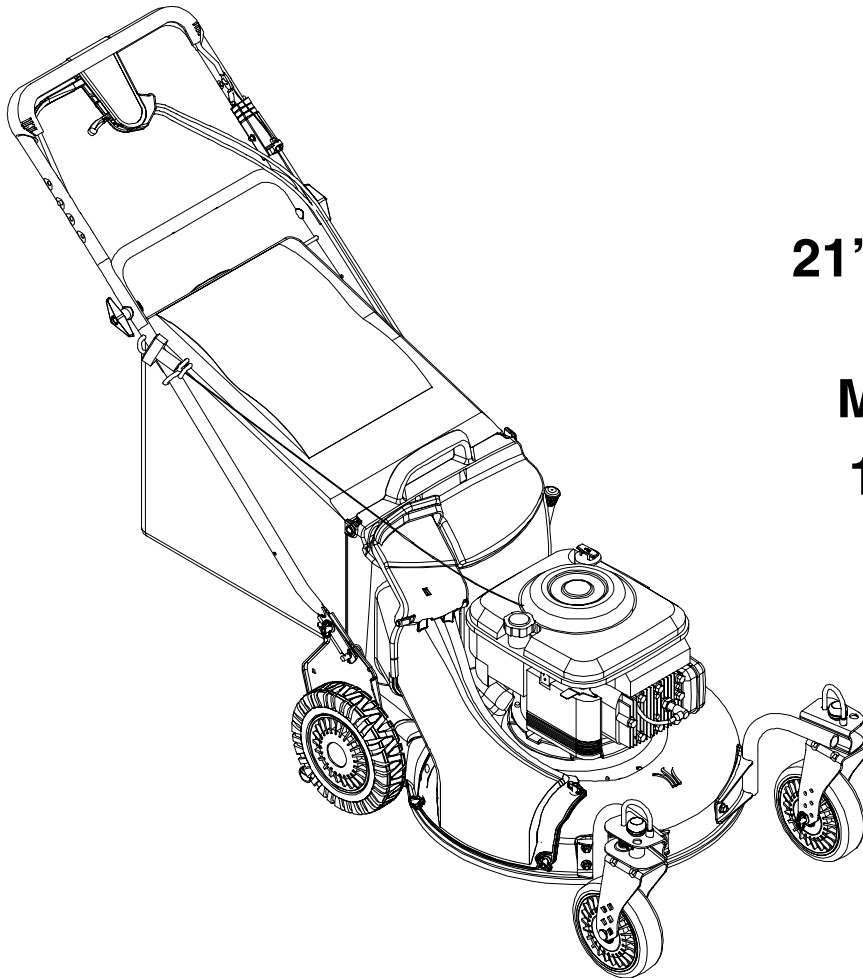




PARTS MANUAL



**21" Self-Propelled
Mower
Model Number
12A-999K063**

IMPORTANT: READ SAFETY RULES AND INSTRUCTIONS CAREFULLY

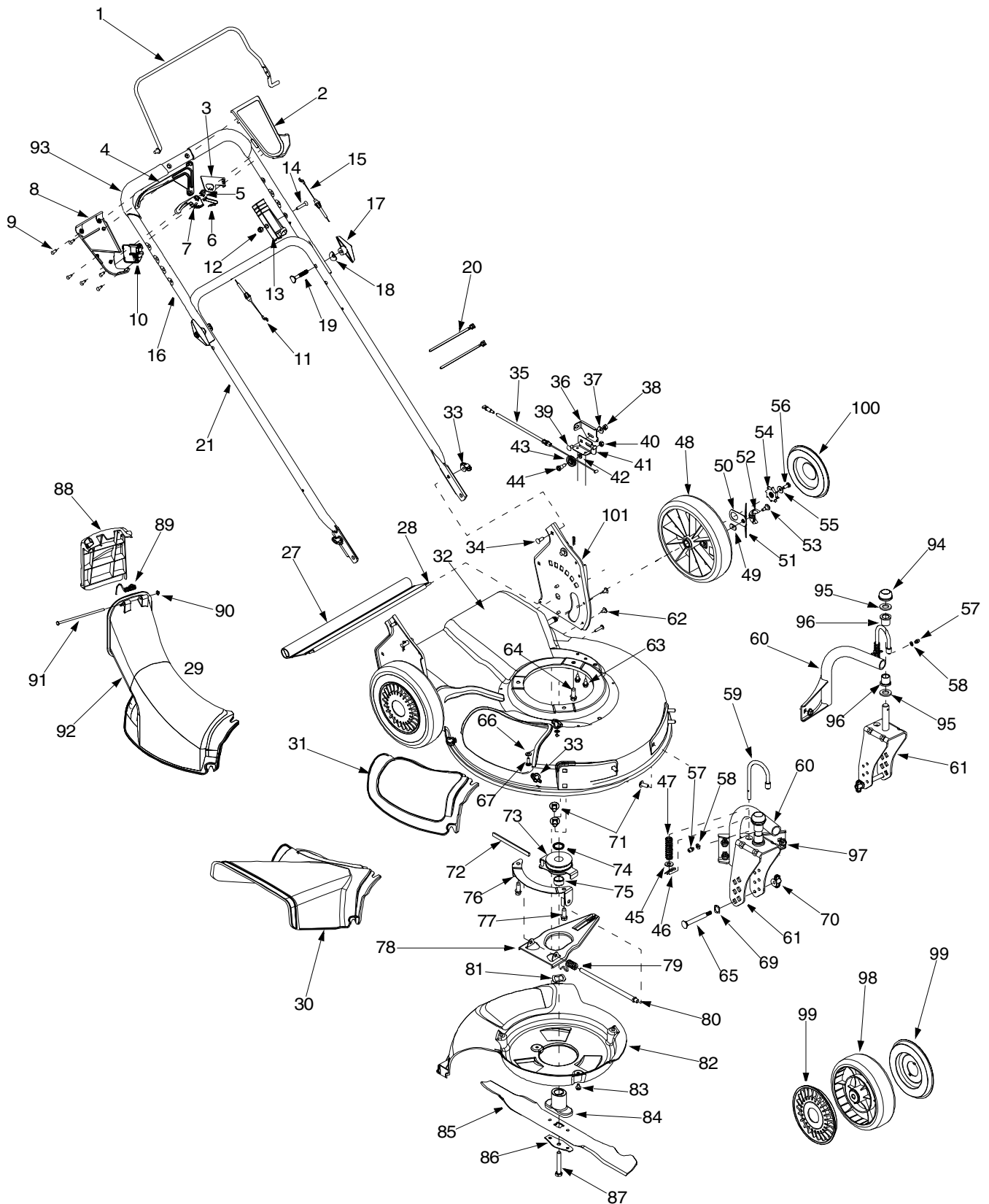
Warning: This unit is equipped with an internal combustion engine and should not be used on or near any unimproved forest-covered, brush-covered or grass-covered land unless the engine's exhaust system is equipped with a spark arrester meeting applicable local or state laws (if any). If a spark arrester is used, it should be maintained in effective working order by the operator. In the State of California the above is required by law (Section 4442 of the California Public Resources Code). Other states may have similar laws. Federal laws apply on federal lands. A spark arrester for the muffler is available through your nearest engine authorized service dealer or contact the service department, P.O. Box 361131 Cleveland, Ohio 44136-0019.

TROY-BILT LLC P.O. BOX 361131 CLEVELAND, OHIO 44136-0019

PRINTED IN U.S.A.

FORM NO. 769-00020
(12/01)

Model 999K



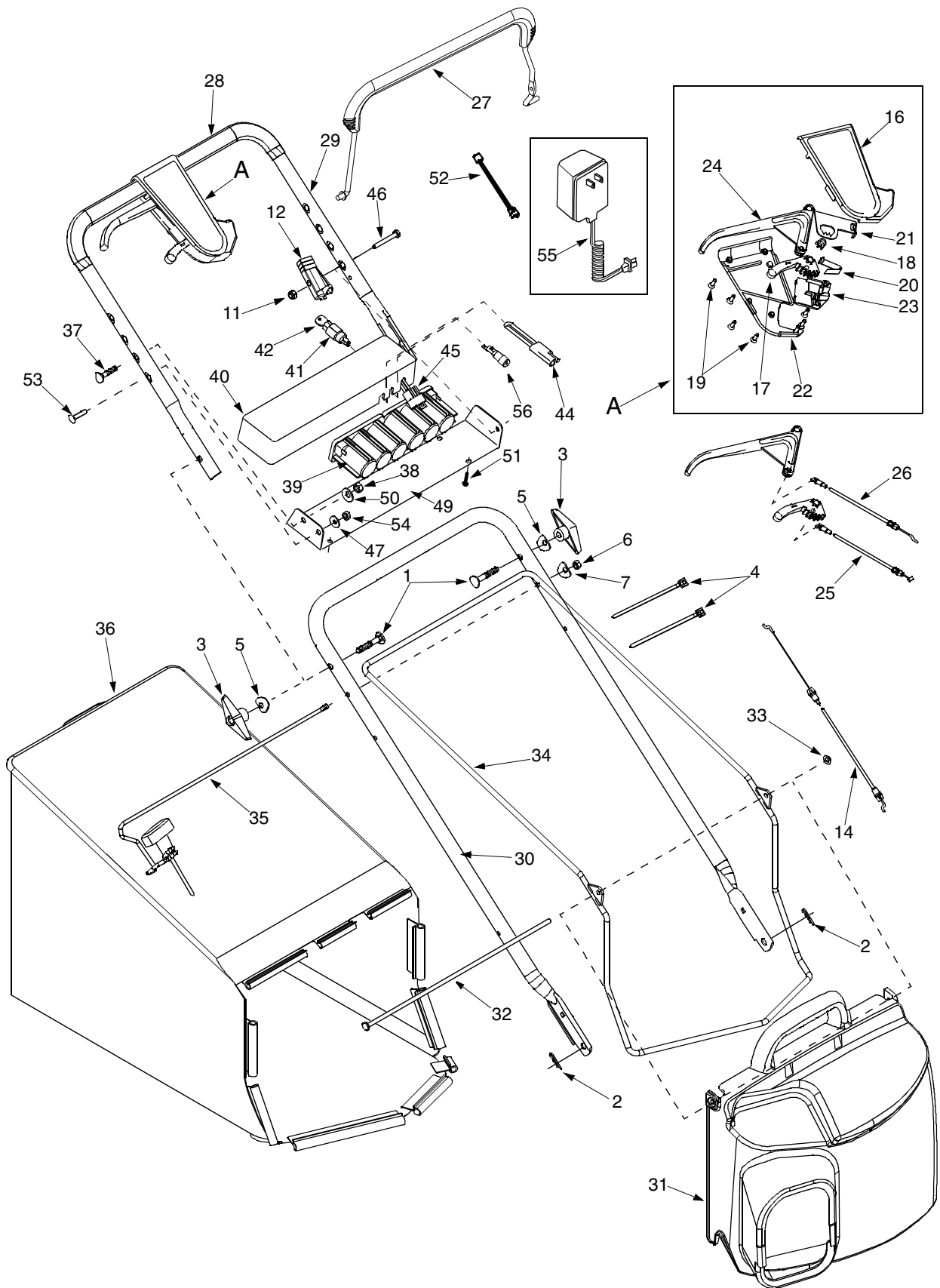
Model 999K

Ref. No.	Part No.	Part Description	Ref. No.	Part No.	Part Description
1.	647-0004	Control Handle	55.	736-0270	Bell Washer .265 ID x .75 OD
2.	731-0904A	Upper Control Handle	56.	710-0751	Hex Cap Screw 1/4-20 x .620
3.	16864	6 Spd. Rack Cable Bracket	57.	737-3000	Grease Fitting
4.	731-0620	Control Lever	58.	736-0931	Flat Washer .203 ID x .403 OD
5.	713-0397	Gear Insert	59.	747-0924	Wheel Pin Lock
6.	732-0627	Shift Lever Spring	60.	682-9020A	Caster Assembly RH
7.	731-0924	6 Speed Shift Lever		682-9021A	Caster Assembly LH
8.	731-0905A	Lower Control Housing	61.	682-9024	Caster Bracket Assembly RH
9.	710-1667A	C Sunk Tap Screw #10 x .75 Lg		682-9026	Caster Bracket Assembly RH
10.	731-0906	Cable Mounting Cap	62.	710-1348	Screw 1/4-14 x .500
11.	746-0711A	Drive Cable 51.0	63.	710-0896	Screw 1/4-14 x .625
12.	712-0324	Top Lock Nut 1/4-20	64.	710-0654A	Hex Washer Screw 3/8-16 x 1.0
13.	746-0883	Control Housing	65.	711-1146	Caster Axle
14.	710-1270	Oval C-Sunk Screw	66.	736-0204	Flat Washer .344 ID x .62 OD
15.	746-1131	Control Cable 46"	67.	710-0703	Carriage Screw 1/4-20 x .75
16.	749-0439D	Upper Handle	68.	710-1242	Torx Screw
17.	720-0241	Wing Nut	69.	736-0232	Wave Washer .531 ID x .781 OD
18.	736-0451	Saddle Washer .320 ID x .830 OD	70.	712-0397	Wing Nut
19.	710-1174	Carriage Bolt 5/16-18 x 2.0	71.	710-0260	Carriage Bolt 5/16-18 x .62
20.	726-0240	Cable Tie	72.	754-0460	Belt 3/8 x 39.24
21.	749-0907B	Lower Handle	73.	656-0613	Pulley Assembly
27.	731-1901	Trail Shield	74.	750-1071	Sleeve Spacer .88 ID x 1.13 OD
28.	732-0842	Trail Shield Wire	75.	750-1070	Sleeve Spacer .88 ID x 1.00 OD
29.	631-0066	Chute Assembly	76.	782-7597	Pivot Bracket
30.	731-1832	Side Discharge Chute	77.	710-0654A	Screw 3/8-18 x 1.0
31.	731-1833	Mulch Cover	78.	782-7596	Control Arm
32.	782-0078B	Deck 21"	79.	732-0807	Torsion Spring
33.	712-0397	Wing Nut	80.	711-1114	Pivot Shaft
34.	710-0703	Carriage Bolt 1/4-20 x .75	81.	736-0526	Wave Washer 1.38 ID x .88 OD
35.	746-0939	6 Speed Cable	82.	731-1828	Baffle
36.	782-7574A	Cable Adjustment Bracket	83.	710-0653	Screw 1/4-20 x 3.75
37.	736-0270	Bell Washer .265 ID x .75 OD	84.	753-0609	Blade Adapter Kit
38.	712-0287	Hex Nut 1/4-20	85.	742-0741	21" Mulching Blade
39.	710-0167	Carriage Screw 1/4-20 x .50	86.	736-0524A	Blade Bell Support
40.	712-0138	Hex Nut 1/4-28	87.	710-1257	Hex Bolt 3/8-24 x 2.5
41.	782-7575A	Cable Mounting Bracket	88.	731-1874	Chute Door
42.	736-0329	Lock Washer 1/4	89.	732-0819	Torsion Spring
43.	756-0625	Roller Cable	90.	726-0111	Push Cap
44.	738-0924	Shoulder Screw .375 ID x 1/4-14	91.	747-0965	Pivot Rod
45.	736-0264	Flat Washer .330 ID x .630 OD	92.	731-1713B	Discharge Chute
46.	714-0104	Cotter Pin	93.	720-0294	Grip
47.	732-0306	Compression Spring	94.	726-0214	Push Cap
48.	734-2044	Wheel 9 x 2	95.	736-0366	Flat Washer.640 ID x 1.12 OD
49.	712-0414	Top Lock Tab Weld Nut 1/4-20	96.	741-0685	Flange Bearing
50.	16855	Ratchet Pawl Plate	97.	712-3004A	Flange Lock Nut 5/16-18
51.	10622B	Plastic Spring Ratchet	98.	734-1857	Wheel 7 x 2
52.	748-0381	Pawl RH	99.	731-1887	Hubcap - Spoke w/ Hole
	748-0188B	Pawl LH	100.	731-0981A	Hubcap - Radial Spoke
53.	738-0137A	Shld Screw .340 ID x .285 OD	101.	682-3052	Handle Bracket Assembly - RH
54.	748-0318	Wheel Ratchet		682-3053	Handle Bracket Assembly - LH

Model 999K

Ref. No.	Part No.	Part Description	Ref. No.	Part No.	Part Description
1.	720-0223	Grip	33.	712-0896	Hex Jam Nut 1/4-28
2.	732-0803A	Spring Lever	34.	782-7598	Belt Keeper
3.	738-0529	Shoulder Nut .825 x .165 Lg.	35.	741-0600	Bearing
4.	710-0751	Cap Screw 1/4-20 x .620	36.	732-0849A	Extension Spring
5.	736-0270	Bell Washer .285 ID x .75 OD	37.	750-1050	Flange Spacer
6.	748-0318	Wheel Ratchet	38.	682-0027A	Idler Bracket Assembly
7.	736-0369	Flat Washer .508 ID x 1.0 OD	39.	710-0299	Hex Cap Screw 1/4-28 x 1.0
8.	782-0566B	Pivot Arm Assembly	40.	741-0682A	Bearing Sleeve
9.	750-0515	Spacer .510 ID x .70 OD	41.	736-0570	Flat Washer .885 ID x 1.45 OD
10.	741-0978	Sleeve Bearing .504 ID x .830 OD	42.	721-0329	Oil Seal
11.	750-1056	Shoulder	43.	721-0325	Plug
12.	710-0653	Tap Screw 1/4-20 x .375	44.	618-0253	Upper Housing Assembly
13.	682-7528	Chain Cover Assembly	45.	782-7601A	Cable Bracket
14.	741-0324	Flange Bearing .506 ID x .590 Lg	46.	741-0690	Bearing
15.	682-7526	Transmission Axle Assembly	47.	736-0616	Thrust Washer .504 ID x .70 OD
16.	618-0263A	Transmission Assembly	48.	782-7595	Pivot Bracket
17.	710-0604A	Hex Screw 5/16-18	49.	741-0324	Flange Bearing
18.	713-0453	Chain	50.	711-1168	Output Shaft 6T
19.	638-0012	Rear Axle Assembly	51.	717-1469	Gear 34T
20.	741-0522	Flange Bearing .506 ID x .715 Lg	52.	741-0674	Bearing
21.	732-0832	Torsion Spring	53.	717-1487	Pinion Shaft 10T
22.	750-0151	Spacer .550 ID x .750 OD	54.	736-0314	Thrust Washer 3/8 x .70
23.	710-1315	Screw 3/8-16 x .25	55.	736-0569	Thrust Washer .388 x .625
24.	711-0835	Clevis Pin .50 Dia x 4.82 Lg.	56.	618-0252	Lower Housing Assembly
25.	750-0807	Spacer .385 ID x .624 OD	57.	710-0642	Hex Screw 1/2-20 x .75
26.	782-0568	Hgt Adjustment Spring Bracket	58.	611-0066	Shaft Assembly
27.	710-1652	Screw 1/4-14 x .825	59.	664-0121	Grassbag
28.	714-0474	Cotter Pin	60.	747-0940A	Support Rod w/ Rope Guide
29.	712-3025	Hex Jam Nut 5/16-24	61.	747-0939	Pivot Rod
30.	736-0425	Bell Washer .325 ID x .930 OD	62.	747-0937	Grassbag Frame
31.	756-0656	Pulley	63.	631-0071	Grassbag Cover
32.	736-3084	Flat Washer .510 ID x 1.120 OD			

Model E999



Model E999

Ref. No.	Part No.	Part Description	Ref. No.	Part No.	Part Description
1.	710-1174	Carriage Bolt 5/16-18 x 2.0	31.	631-0071	Grass Bag Cover
2.	714-0104	Cotter Pin .072 x 1.12 Lg.	32.	747-0939	Pivot Rod
3.	720-0241	Knob Assembly 5/16-18	33.	726-0106	Cap Nut
4.	726-0240	Cable Tie	34.	747-0937	Grassbag Frame
5.	736-0451	Saddle Washer .320 ID x .830 OD	35.	747-0940A	Support Rod
6.	720-0270	Handle Knob 1/4-20	36.	664-0121	Grassbag
7.	736-0451	Saddle Washer	37.	710-1250	Carriage Bolt 5/16-18 x 1"
11.	712-0324	Lock Nut 1/4-20	38.	712-0267	Hex Nut 5/16-18
12.	646-0875	Control Cable Housing	39.	725-1276	Battery Pack
14.	746-0912	Control Cable 44"	40.	731-0891A	Battery Pack
16.	731-0904A	Upper Control Housing	41.	725-0873	Ignition Switch
17.	731-0924	6 Speed Shift Lever	42.	725-0201	Ignition Key
18.	713-0397	Gear Insert	44.	725-1206	Plug
19.	710-1667	C Sunk Tap Screw #10	45.	625-0021	Wire Harness
20.	732-0627	Shift Lever Spring	46.	710-1270	Hex Bolt 1/4-20 x 1.3"
21.	16864	6 Speed Rack Cable Brkt.	47.	736-0270	Bell Washer 1/4" ID
22.	731-0905A	Lower Control Housing	49.	782-9012	Lower Battery Tray
23.	731-0906	Cable Mounting Cap	50.	736-0242	Bell Washer 5/16" ID
24.	731-0620	Control Lever	51.	710-0969	Tap Screw 1"
25.	746-0939	6 Speed Cable	52.	725-1538	Harness Extension
26.	746-0713	Drive Cable 52"	53.	710-0111	Screw 1/4-20 x 1.25
27.	647-0004	Control Handle	54.	712-0287	Hex Nut 1/4-20
28.	720-0294	Foam Grip	55.	725-0727	Battery Charger
29.	749-0439D	Upper Handle	56.	725-1428	Fuse Holder
30.	749-0907B	Lower Handle		725-0298	Fuse 7.5 Amp (Not Shown)