

# 19" SIDE DISCHARGE ROTARY MOWER

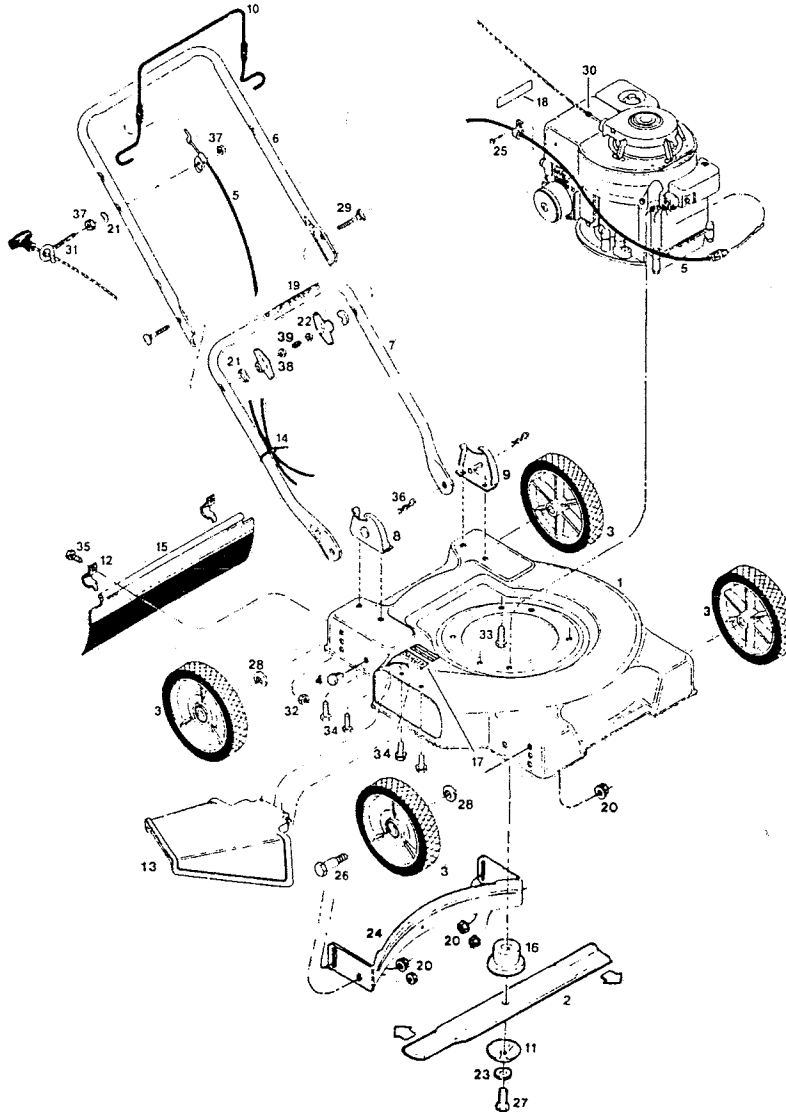
Parts listed are for mower excluding the engine.  
For engine information refer to Engine manual enclosed in literature bag.

NOTE: This parts list covers several different mower models.  
Not all the parts listed may be used on your particular mower.



DO NOT operate your

unless all parts are at  
and in good working order. Keep your m  
good repair at all times.



INDEX NO.	PART NO.	DESCRIPTION
1	023894	Deck 19"
2	030023	Blade - 19" Flat
3	041533	Wheel 6-1/2" Plastic
	041012	Wheel 6" Plastic
	041863	Wheel 7" Steel
	043000	Wheel 7" Plastic
4	525121	Bolt - Hex 3/8 - 16 x 5/8
5	052142	Cable - Engine/Blade Control
6	073007	Handle - Upper
7	072991	Handle - Lower
8	092601	Handle Bracket - Right Hand
9	092619	Handle Bracket - Left Hand
10	104687	Bail - Engine/Blade Control
11	164681	Washer - Conical
12	106914	Clip - Training Shield
13	394619	Chute Deflector Assembly
14	110379	Cable Tie
15	114389	Trailing Shield
16	094933	Blade Adapter
17	144063	Decal - C.P.S.C. Danger
18	009415	Decal - Blade Warning
19	799599	Decal - Starting Instructions
20	156406	Locknut 3/8-16 Flange
21	150201	Washer - Curved 5/16
22	113589	Knob-Wing
23	156877	Washer - Hardened
24	088948	Baffle - Rear
25	150623	Self Tap Screw #10 x 5/8
26	150060	Shoulder Bolt
27	157255	Bolt-Blade 3/8-24 x 1-1/4 Gr. 8
28	715607	Washer - Belleville
29	151936	Bolt - Curved Head 5/16-18 x 2
30	152074	Rope Stop
31	152629	Rope Guide
32	452318	Nut #10-24 Hx Nylon Insert
33	164999	Bolt - Hex Head Self Tap 3/8-16
34	164998	Bolt - Self Tap 1/4-20 x 5/8
35	458687	Bolt #10-24 x 1/2
36	715011	Hairpin Cotter
37	715037	Nut - Keps 1/4-20
38	310045	Nut-5/16-18 Hex
39	110064	Cap-Plastic

NOTE: Parts are right or left hand as viewed  
operator position.

Specifications subject to change without prior

GRASS CATCHER NOT INCLUDED. ASK FOR GRASS CATCHER MODEL GC-6AA.  
FOR ORDERING PARTS SEE PARTS ORDERING FORM ENCLOSED IN LITERATURE BAG



WHEN SERVICING USE ONLY GENUINE FACTORY REPLACEMENT PARTS THAT ARE  
SPECIFICALLY FOR YOUR PARTICULAR MODEL



THOROUGHLY READ OPERATOR'S MANUAL AND COMPLETELY ASSEMBLE ALL LOOSE  
PARTS BEFORE OPERATING MOWER.

S/N 239028-239130  
P/L 082854  
O/M 082806