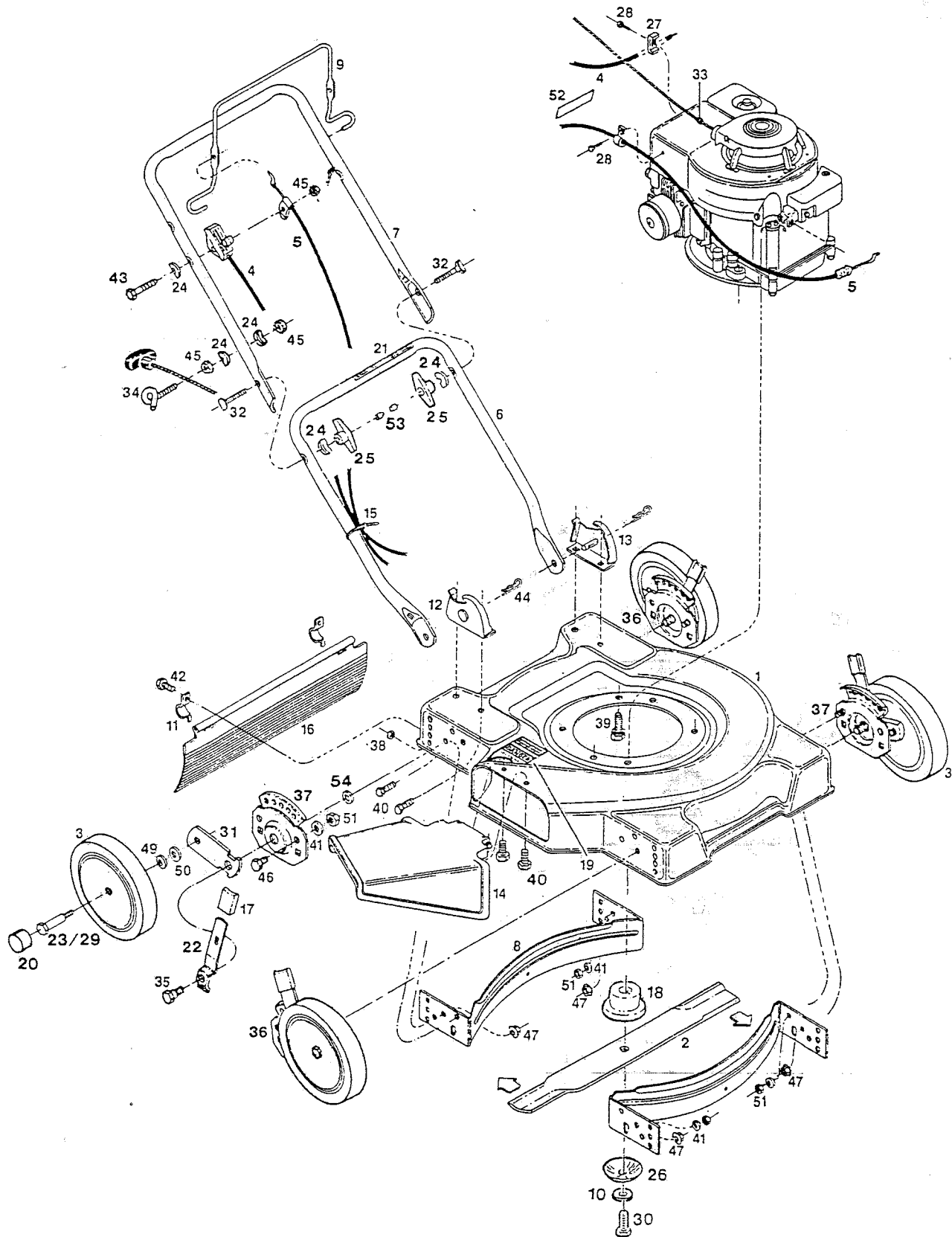


MODELS: A2031-N A2231-N A22315T-N WDEA22-N WDEA22A-N  
WDEA22B-N WE20-N WE20A-N WE20B-N WE20D-N WE20L-N  
A2031T-N A20314-N A203152CT-N A2231A-N A22315-N



S/N 239000-239001-239146-239980-239138  
239139-239979-239974-239134-239141-239140  
239143-239147-239142-239133-239144  
P/L 082625-082962-082967-082960-082957

MODELS: A2031-N A2231-N A22315T-N WDEA22-N WDEA22A-N  
 WDEA22B-N WE20-N WE20A-N WE20B-N WE20D-N WE20L-N  
 A2031T-N A20314-N A203152CT-N A2231A-N A22315-N

## PARTS LIST

# 20"/22" ROTARY MOWER

Parts listed are for the mower excluding the engine.  
 For engine information refer to Engine manual enclosed in literature bag.

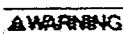
Index No.	Part No.	Description	Index No.	Part No.	Description
1	019042	Deck 20" - Green	21	799559	Decal - Starting Instructions
	019059	Deck 20" - Red	22	776500	Setting Lever - Height Adjuster
	023820	Deck 22" - Green	23	166619	Wheel Bolt
	023821	Deck 22" - Red	24	150201	Washer - Curved 5/16
2	030031	Blade - 20" Flat	25	113589	Wing knob - Plastic
	030049	Blade - 22" Flat	26	164681	Washer - Conical
3		Wheel Assembly*	27	150318	Cable Clamp
	041533	6 1/2" Plastic - White - Diamond	28	150623	Screw - Sheet Metal #10 x 5/8
	042739	7" Plastic - White - Diamond - Mag	29	166620	Wheel Bolt (used with 043231 wheel only)
	043000	7" Plastic - White - Diamond	30	157255	Bolt - Blade
	041525	7" Plastic - White - Diamond - 3 spoke	31	092668	Wheel Lever - Height Adjuster
	041863	7" Steel - White-Rib-Flange Bearing	32	151936	Bolt - Curved Head 5/16-18 x 2-1/4
	042432	8" Plastic - White - Diamond	33	152074	Rope Stop
	043018	8" Plastic - White - Diamond	34	152371	Rope Guide
	041111	8" Steel - White - Rib - Flange Bearing	35	153650	Shoulder Bolt - Hgt. Adj.
	043231	8" x 2" Plastic	36	092650	Back Plate - Height Adjuster R.H. Front L.H. Rear
4	053079	Control - Throttle w/Cable	37	092643	Back Plate - Height Adjuster L.H. Front R.H. Rear
5	052142	Cable - Engine Blade Control	38	452318	Nut - #10-24 HX Nylon Insert
6	072991	Handle - Lower	39	164999	Bolt - 3/8-16 x 7/8 Thread Forming
7	073007	Handle - Upper	40	164998	Bolt - 1/4-20 x 1/2 Thread Forming
	072181	Handle - Upper Cushion Grip	41	462093	Washer - Flat 1/4"
8	101519	Baffle 20/22" Rear or Front	42	458687	Bolt - Hex Head #10-24 x 1/2
9	104687	Bail - Engine/Blade Control - Chrome	43	153874	Bolt - 1/4-20 x 2-1/4 Hex Head
	109470	Bail - Engine/Blade Control - Black	44	715011	Hairpin Cotter
10	156877	Washer - 3/8 Hardened	45	715037	Nut - Keps 1/4-20
11	106914	Clip - Trailing Shield	46	715045	Bolt - Hex Head 1/4-20 x 3/4
12	092601	Handle Bracket - Right Hand	47	156406	Locknut 3/8-16 Lock
13	092619	Handle Bracket - Left Hand	48	715201	Bolt - Hex 3/8-16 x 3/4
14	394619	Chute Deflector Assembly	49	715607	Washer - Belleville
15	110379	Cable Tie	50	158469	Washer 3/8 SAE
16	114421	Trailing Shield - 20/22" w/Hgt. Adj.	51	715508	Locknut 1/4-20 Top
17	114462	Plastic Tip - Setting Lever	52	009415	Decal - Blade Warning (Rectangle)
18	094933	Blade Adapter	53	110064	Cap - Plastic
19	144063	Decal - Danger	54	311340	Washer - Hght. Adjuster
20	043254	Hup cap			

• INDICATES OPTIONAL EQUIPMENT

• INDICATES OPTIONAL EQUIPMENT

NOTE: This parts list covers several different mower models. Not all of the Parts listed may be used on your particular mower.

GRASS CATCHER NOT INCLUDED. ASK FOR GRASS CATCHER MODEL GC-6AA.  
 FOR ORDERING PARTS SEE PARTS ORDERING FORM ENCLOSED IN LITERATURE BAG.



WHEN SERVICING USE ONLY GENUINE FACTORY REPLACEMENT PARTS THAT ARE SPECIFICALLY FOR YOUR PARTICULAR MODEL



DO NOT OPERATE YOUR MOWER UNLESS ALL PARTS ARE ATTACHED AND IN GOOD WORKING ORDER. KEEP YOUR MOWER IN GOOD REPAIR AT ALL TIMES.

NOTE: PARTS ARE RIGHT OR LEFT HAND AS VIEWED FROM THE OPERATOR POSITION

SPECIFICATIONS SUBJECT TO CHANGE WITHOUT PRIOR NOTICE

S/N 239000-239001-239146-239980-239138  
 239139-239979-239974-239134-239141-239140  
 239143-239147-239142-239133-239144  
 P/L 082625-082962-082967-082960-082957